

UPPAbaby®  
**VISTA**®



Model 0318-VIS-AU | Version 2

**USA**

UPPAbaby, 276 Weymouth Street, Rockland, MA 02370 | [uppababy.com](http://uppababy.com) | 1.844.823.3132

**Australia**

Coolkidz Australia Pty Ltd, 37 Malcolm Rd, Braeside, Victoria, Australia 3195 | [uppababy.com](http://uppababy.com) | 1300 722 302

All rights reserved. © 2017 UPPAbaby. UPPAbaby and all associated logos are trademarks. All product specifications are correct at time of print. UPPAbaby reserves the right to change anything at any time without prior notice. Color representation is as close as print processes allow. Not all colors available at all retailers. 102417

## TABLE OF CONTENTS

Warnings + General Safety Information	2
Cleaning + General Maintenance	4
Contents	5
Product Overview	6
Opening Stroller	9
Attaching/Removing Back Wheels	9
Attaching/Removing Front Wheels	10
Locking/Unlocking Swivel Wheel	10
Attaching/Removing Bumper Bar	11
Applying Brake	12
Front/Rear Facing Seat Operation	13
Bassinet Assembly	14
Using Bassinet Canopy UB/UV Sunshade	15
Attach/Remove Bassinet from Stroller	16
Bassinet Ventilation	17
Removing Canopy from Seat	18
Adjusting Canopy Height	18
Using Toddler Seat Canopy UB/UV Sunshade	19
Canopy Ventilation	19
Adjusting Footrest	20
Reclining Seat	20
Adjusting Handlebar Height	21
Adjusting Shoulder Harness Height	22
Buckle Operation	22
Adjusting Harness	23
Folding Stroller	24
Removing Seat Fabric	26
Removing Canopy Fabric	28
Removing Bassinet Fabric	30
Correct Use of Tether Strap	32
Limited Warranty	33

## WARNINGS + GENERAL SAFETY INFORMATION

KEEP THESE INSTRUCTIONS FOR FUTURE REFERENCE

*Please read this manual carefully before using this stroller. Failure to follow instructions properly may result in serious injury to your child.*

### STROLLER WARNINGS:

## ⚠️ WARNING

### TO AVOID INJURY OR DEATH:

#### ALWAYS APPLY THE BRAKES WHENEVER THE PRAM/STROLLER IS STATIONARY.

- **DO NOT LEAVE CHILDREN UNATTENDED.**
- **SECURE THE CHILD IN THE HARNESS AT ALL TIMES.**
- **DO NOT CARRY EXTRA CHILDREN OR BAGS ON THIS PRAM/STROLLER.**
- **MAKE SURE CHILDREN ARE CLEAR OF ANY MOVING PARTS IF YOU ADJUST THE PRAM/STROLLER.**

- The UPPAbaby VISTA pram/stroller is suitable from 6 months and designed to accommodate a child up to a weight of 23 kg (50 lbs) and a height of 101 cm (40"). Excessive weight may cause a hazardous unstable condition to exist. The product will become unstable if the manufacturer's recommended load is exceeded.
- **DO NOT** use this seat with any other models of stroller.
- Ensure that all the locking devices are engaged before use.
- Any load attached to the handle affects the stability of the pram/stroller.
- **DO NOT** make any alterations or modifications to the product with parts not supplied by the manufacturer, as this may cause instability or structural damage not covered under warranty.
- Unit may become unstable if the manufacturer's recommended load is exceeded, or if a parcel bag, accessory, or rack other than that recommended by the manufacturer is used or hung from the unit.
- It is unsafe to use accessories other than those approved by UPPAbaby.
- Extreme care should be taken if the pram/stroller is used on stairs or an escalator.
- The pram/stroller should not be used near an open fire or exposed flame.
- Maximum weight for the storage basket is 13.6 kg (30 lbs).
- Maximum capacity for the seat pocket is .5 kg (1 lb).
- Always use the crotch strap in combination with the waist belt and shoulder belts.
- **NEVER** leave safety harness connected when not fitted to a child in the stroller as this may create loops that could cause a strangulation hazard.
- The brake must be locked while taking the child in or out of the pram/stroller, and when parked.
- The pram/stroller is designed for use on flat or gently sloping surfaces and may be unstable on higher sloping and uneven surfaces and could tip over if on sloping, unstable or uneven surfaces.
- Always use the tether strap to prevent the pram/stroller from rolling away.
- Bumper bar must be attached at all times.
- **DO NOT** lift the stroller by the bumper bar as it may disengage.
- The canopy for the seat is not intended to retain the child.
- Children and adults should be clear of moving parts while making pram/stroller adjustments. If not properly executed, damage to fingers or extremities may occur when opening or closing the pram/stroller frame.
- Children should not be left unattended in the product with rain shield fitted.
- The stability of the product will be impaired in high winds with the rain shield fitted and should be steadied by an adult at all times.

## WARNINGS + GENERAL SAFETY INFORMATION

- Rain shield must be removed when indoors and in hot weather to prevent overheating and possible risk of suffocation.
- Make sure latch on left side of stroller is properly engaged after stroller is folded.

### BASSINET WARNINGS:

## ⚠️ WARNING

- **DO NOT** let other children play unattended near the bassinet.
- Audible "click" must be heard in order to determine that each lock is in the proper position. To ensure proper locking engagement, check to see that the bassinet handle cannot be disengaged from the pram without unlocking the device, and/or indicator on sides of bassinet is green.
- This product is suitable only for a child who cannot sit up unaided, roll over and cannot push itself up on its hands and knees.
- Maximum weight of the child: 9 kg (20 lbs).
- For extended sleep, make sure canopy is raised and locked in upright open position.

## ⚠️ WARNING SUFFOCATION HAZARD

- Infants can suffocate in gaps between an extra pad and side of bassinet or on soft bedding.
- **NEVER** add a mattress, pillow, comforter, or padding. Use **ONLY** the pad provided by the manufacturer.
- Infants can roll over on soft surfaces and suffocate child. **NEVER** place bassinet on beds, sofas, or other soft surfaces.
- To reduce the risk of SIDS Pediatricians recommend healthy infants be placed on their backs to sleep, unless otherwise advised by a Physician.
- **DO NOT** allow any part of sunshade or bassinet storage bag to cover a child's nose or mouth.

## ⚠️ WARNING FALL HAZARD

- To prevent falls, do not use this product when the infant begins to push up on hands and knees or has reached manufacturer's recommended maximum weight, whichever comes first.
- Child's movement can slide bassinet. **NEVER** place bassinet near edges of counter tops, tables, or other elevated surface.
- Use only on a firm ground which is horizontal, level and dry when not in use with the pram/stroller.
- If the bassinet is intended to be used with a stand, check that the dimensions of the latter correspond to those of the bassinet base (36 cm w x 76 cm h).
- This bassinet is designed to be used with the UPPAbaby VISTA stroller and UPPAbaby VISTA bassinet stand only.
- **NEVER** use the bassinet as a means to transport an infant in a motor vehicle.
- To avoid serious injury or death to your child, do not use this bassinet as a car bed.
- Use of bassinet boot cover is recommended for added safety of your child.

Manufactured to comply with: AS/NZS 2088:2013.

## CLEANING + GENERAL MAINTENANCE

### CLEANING:

- Clean frame with a damp cloth and a mild detergent; dry thoroughly. **DO NOT** use abrasives.
- If the frame parts have been exposed to salt water we recommend that they be rinsed with fresh (tap) water as soon as possible to avoid corrosion. Always dry frame if wet.
- All fabrics are removable.
- To extend the life of your product's fabric, keep it clean and do not leave it in direct sunlight for long periods of time.
- **DO NOT** fold or store the product if it is damp or wet, nor store in a damp environment.

### MAINTENANCE AND REPAIR:

- This product requires user inspection and maintenance regularly. Check all connecting hardware (rivets, screws, etc.) for tightness and security. Inspect all brakes, tires, seat harnesses and locks for correct operation. Seek prompt repairs or replacements as needed and never continue using the product if it is structurally not safe.
- Only UPPAbaby replacement parts should be used. It may be unsafe to use parts supplied by another manufacturer.
- Contact Customer Service with any repair questions.

#### CLEANING SEAT, OUTER BASSINET AND CANOPY FABRICS



Spot clean or hand wash in cold water with mild detergent. **DO NOT** bleach.



Dry flat and away from direct sunlight before re-use or storage.



**DO NOT** iron or dry clean.

#### CLEANING INNER BASSINET FABRICS AND FABRIC BUMPER BAR COVER



Machine wash cold gentle cycle with mild detergent. **DO NOT** bleach.



Dry flat and away from direct sunlight before re-use or storage.



**DO NOT** iron or dry clean.

#### CLEANING LEATHER BUMPER BAR COVER



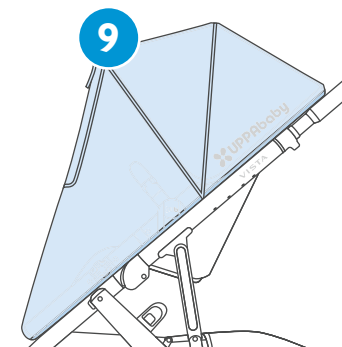
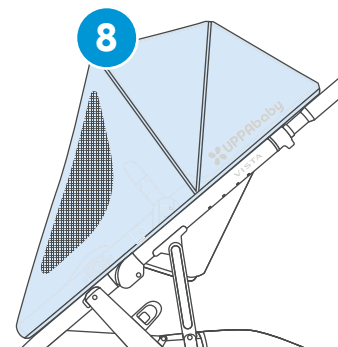
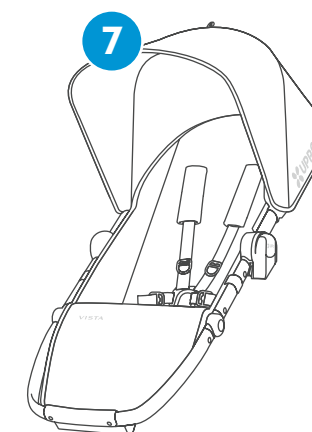
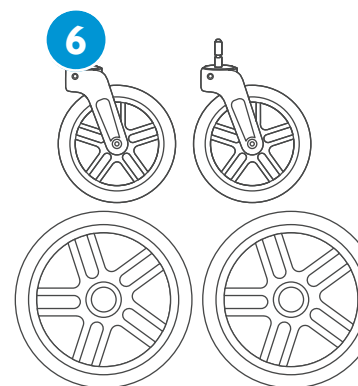
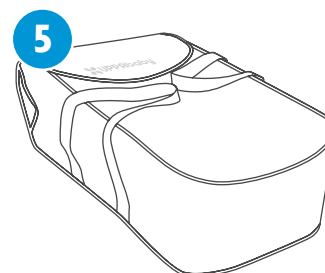
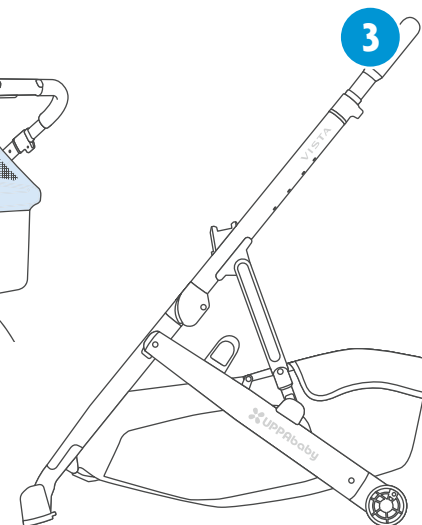
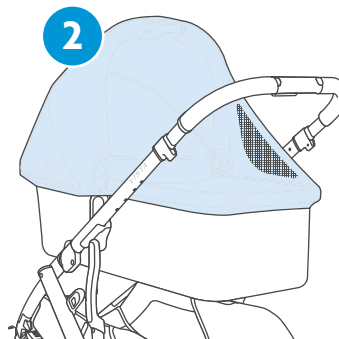
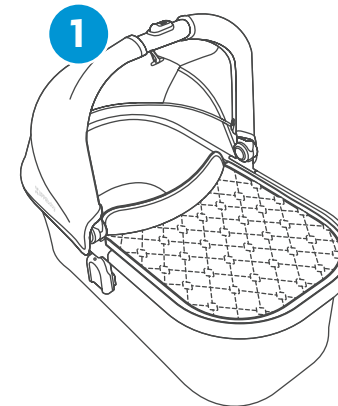
Spot clean with a damp cloth. **DO NOT** wet excessively. **DO NOT** bleach.



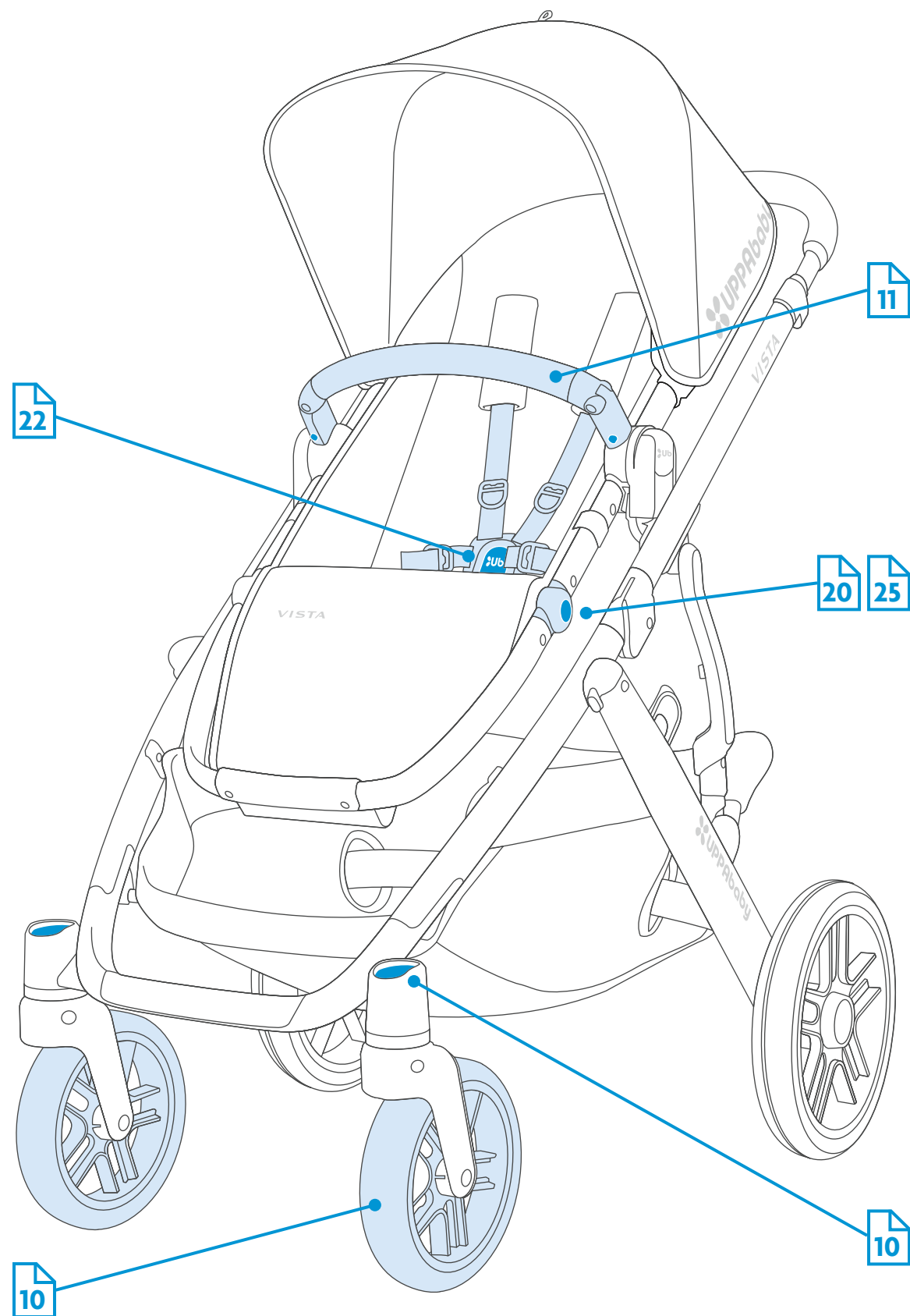
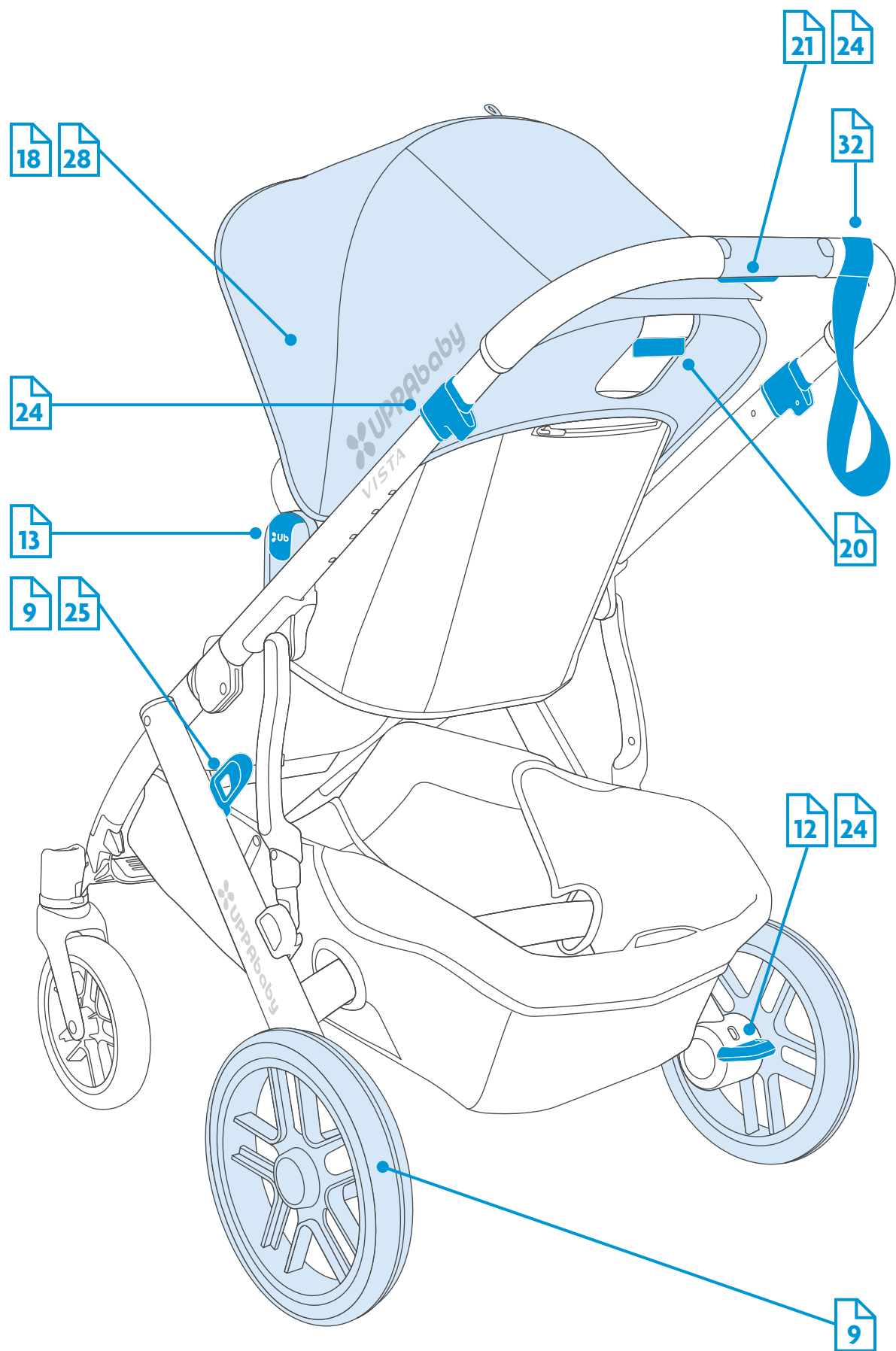
**DO NOT** iron or dry clean.

## CONTENTS

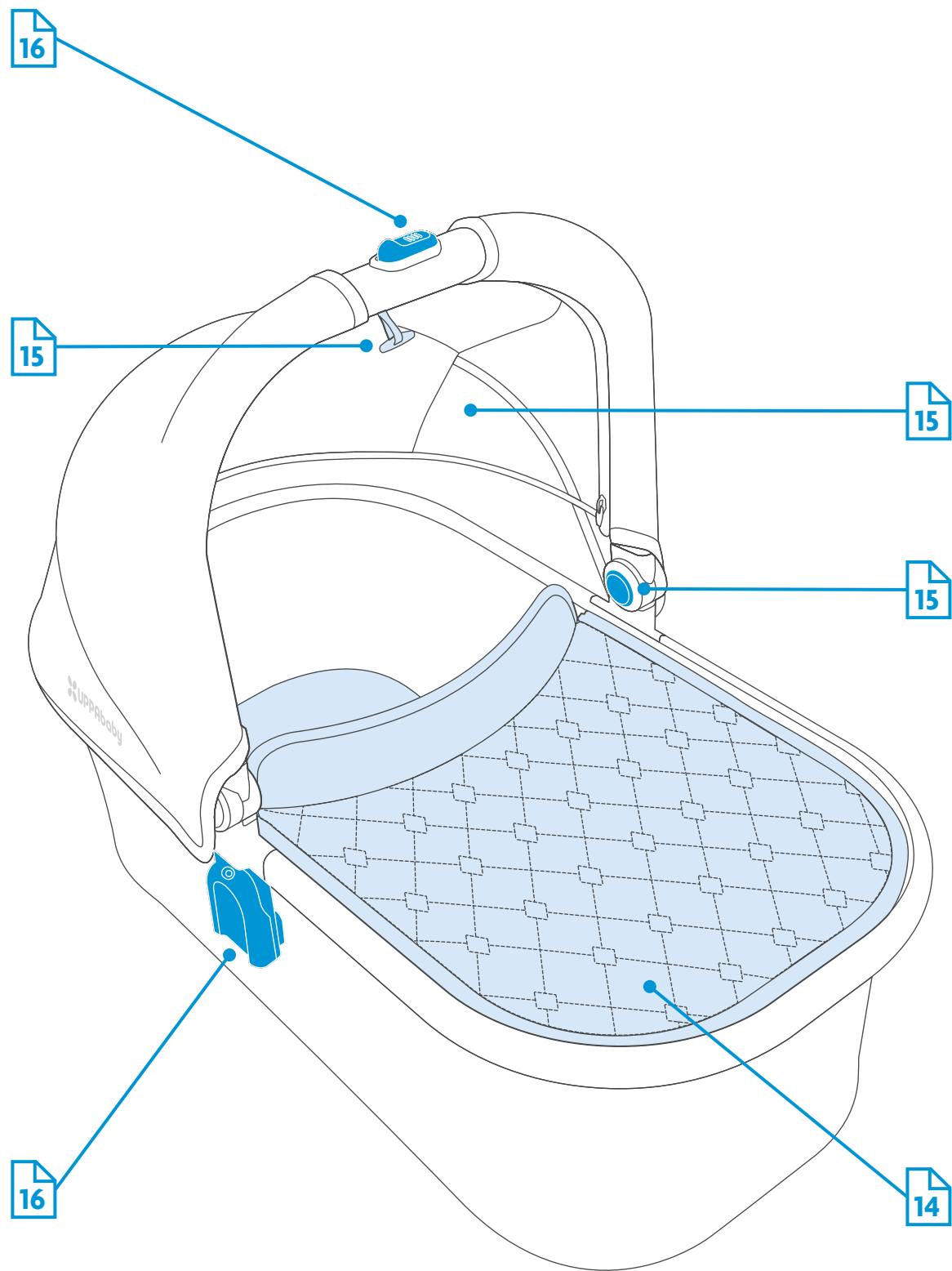
- 1 BASSINET
- 2 BASSINET BUG SHIELD
- 3 STROLLER FRAME AND BASKET
- 4 BUMPER BAR
- 5 BASSINET STORAGE BAG
- 6 FRONT/BACK WHEELS
- 7 TODDLER SEAT + CANOPY
- 8 TODDLER SEAT BUG SHIELD
- 9 TODDLER SEAT RAIN SHIELD



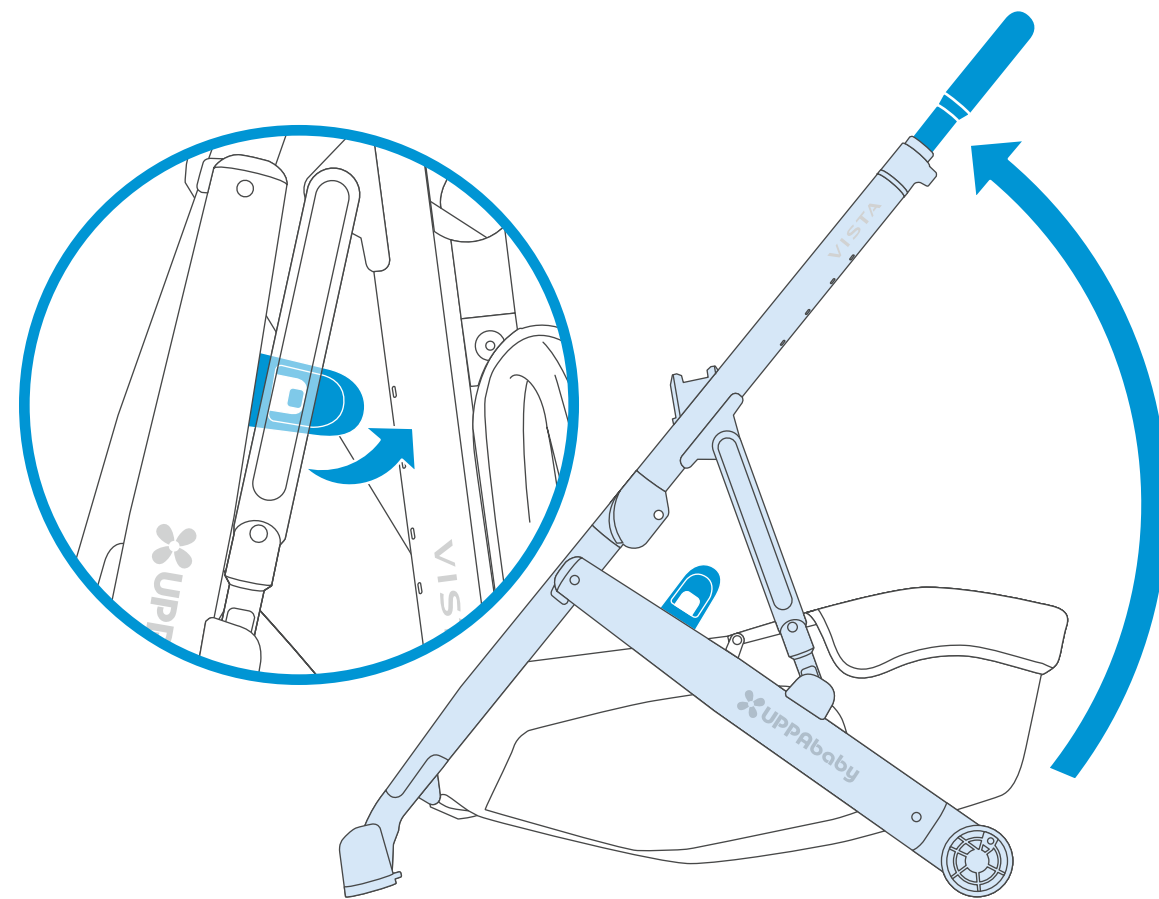
PRODUCT OVERVIEW



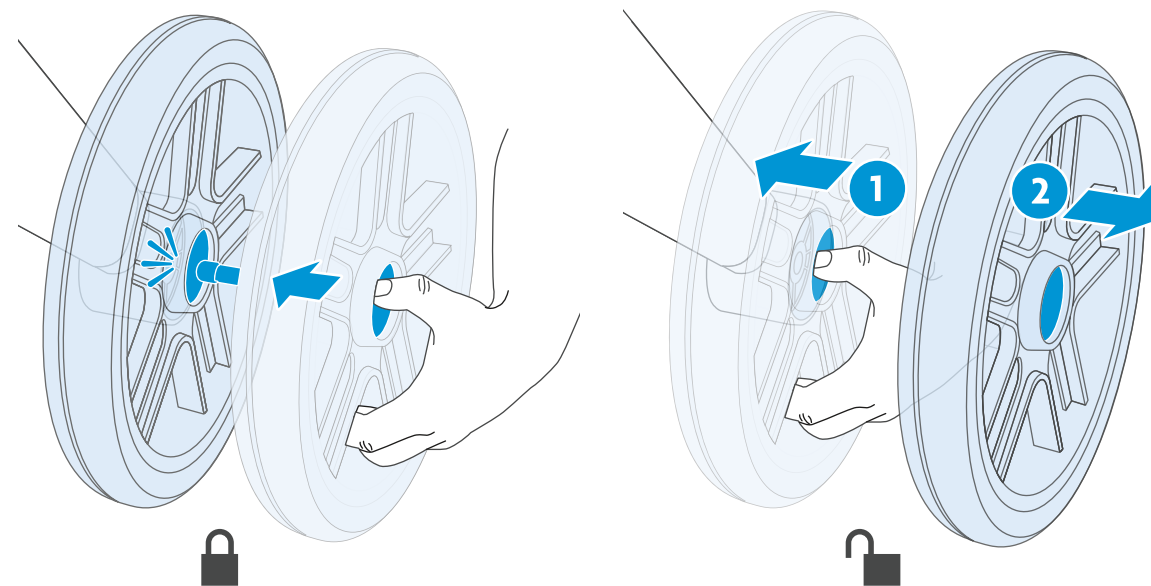
## PRODUCT OVERVIEW



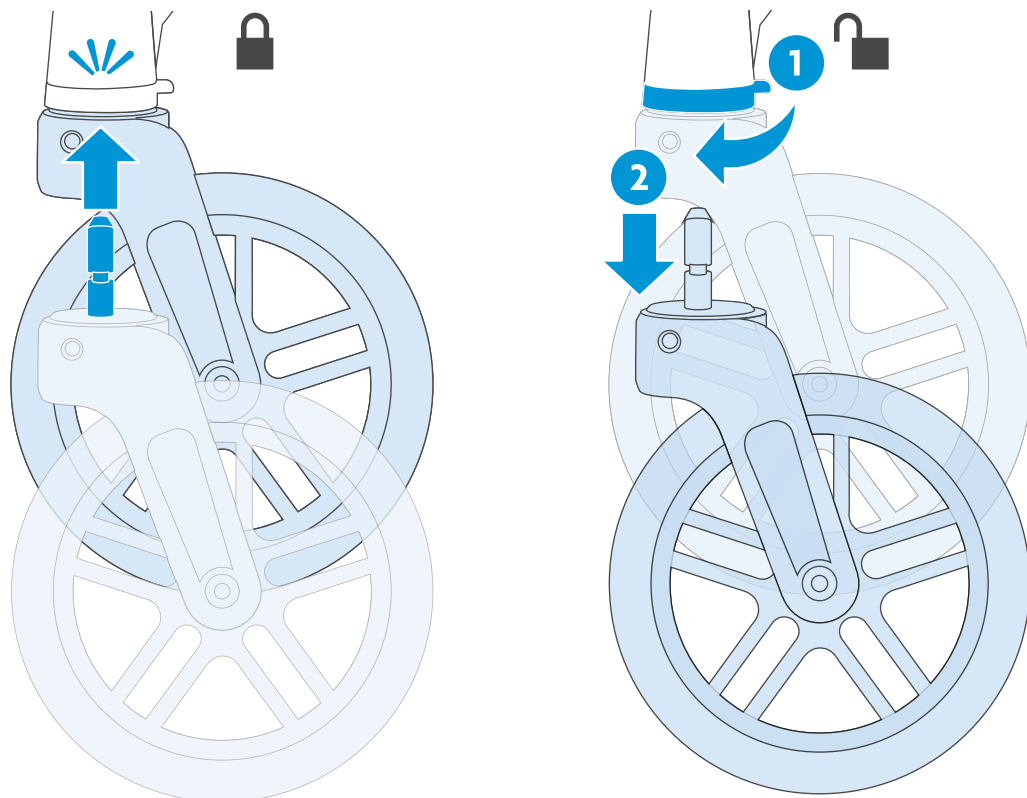
## OPENING STROLLER



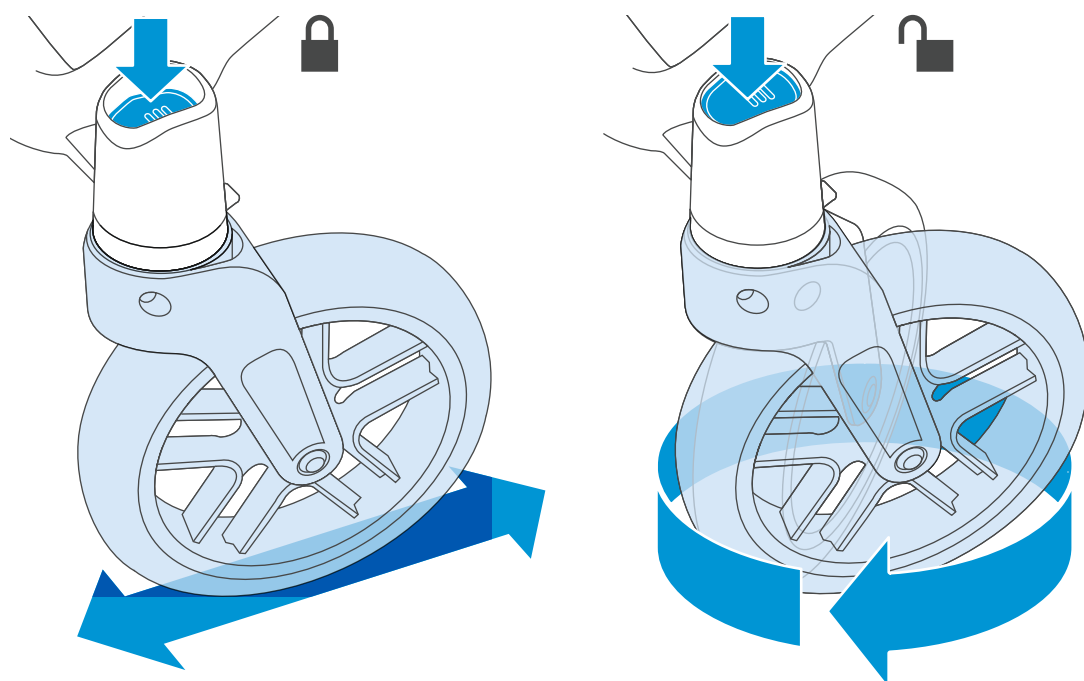
## ATTACHING/REMOVING BACK WHEELS



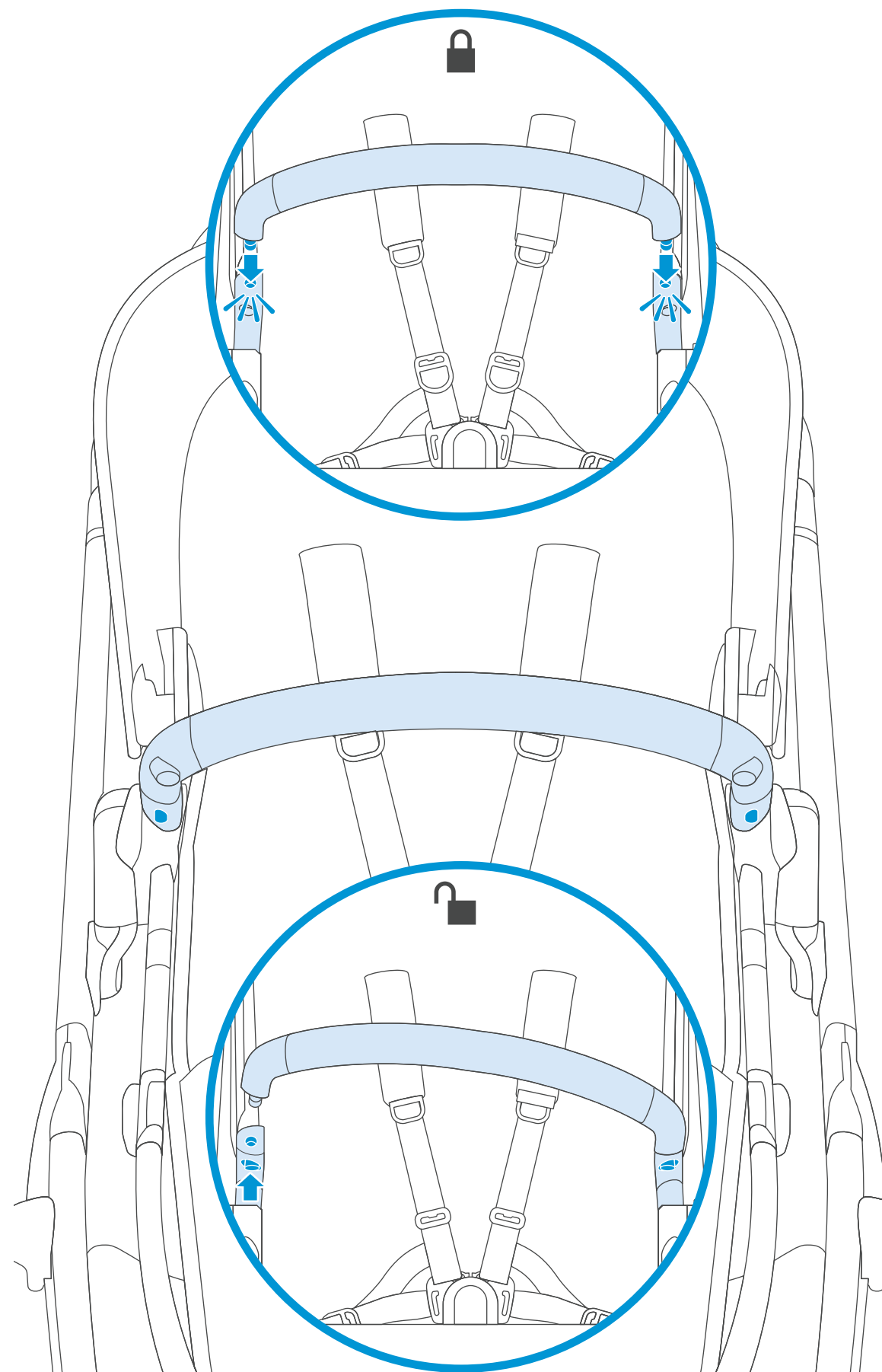
### ATTACHING/REMOVING FRONT WHEELS



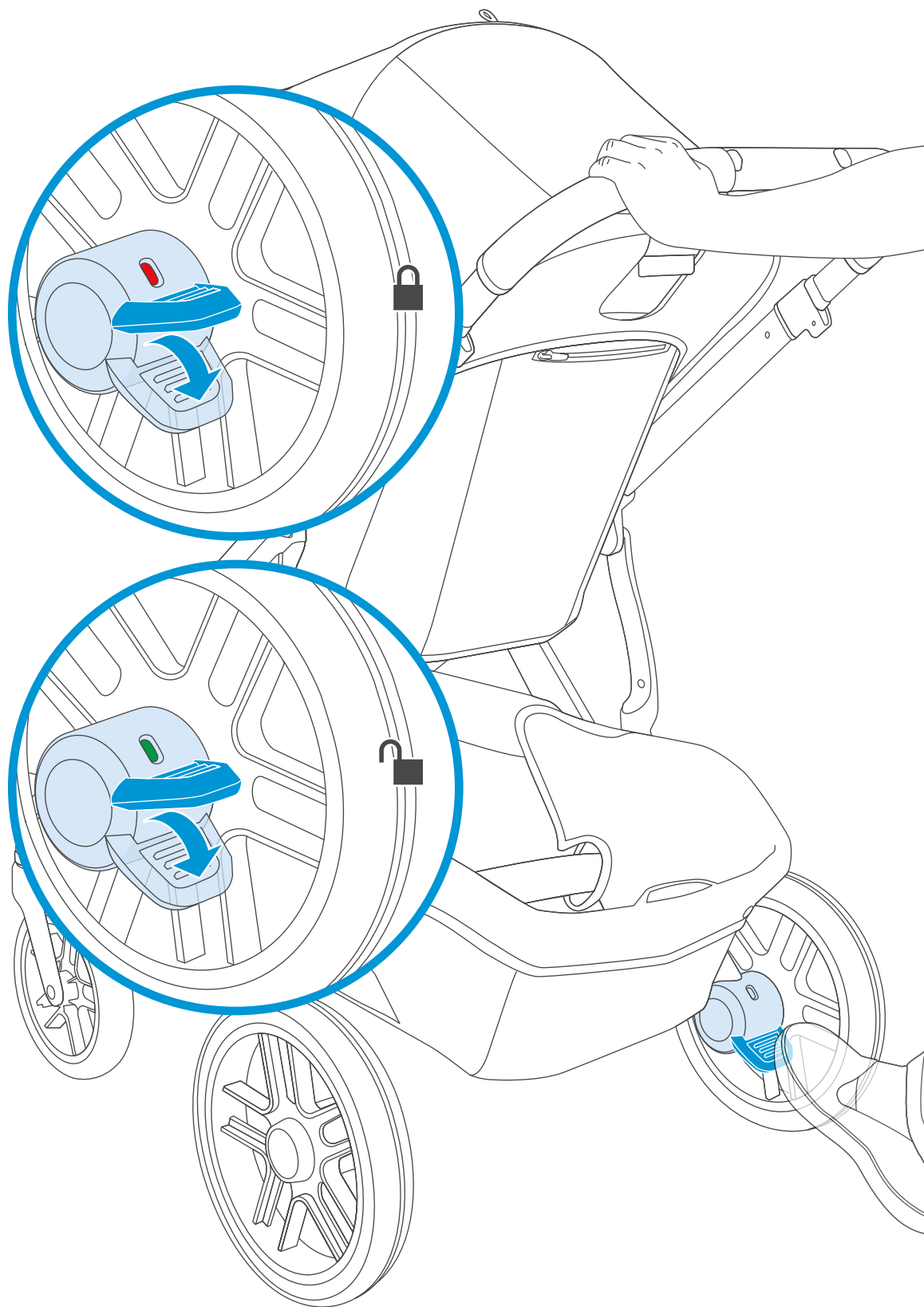
### LOCKING/UNLOCKING SWIVEL WHEEL



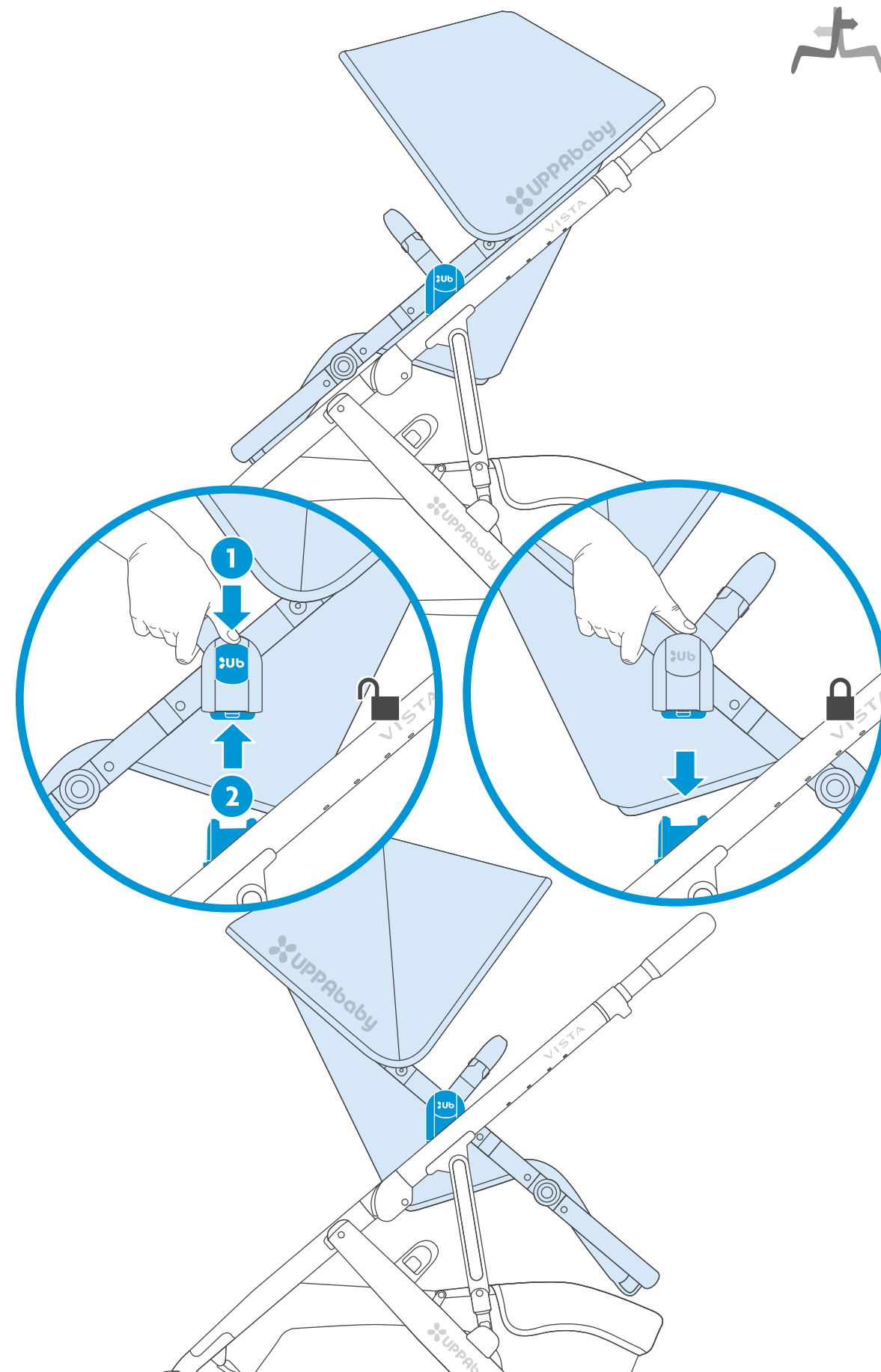
### ATTACHING/REMOVING BUMPER BAR



## APPLYING BRAKE

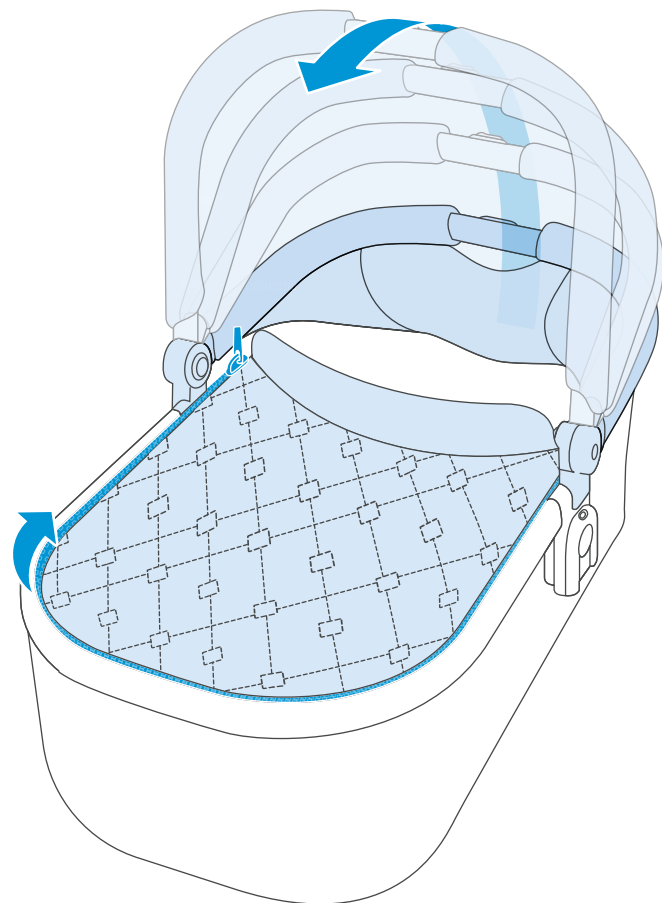
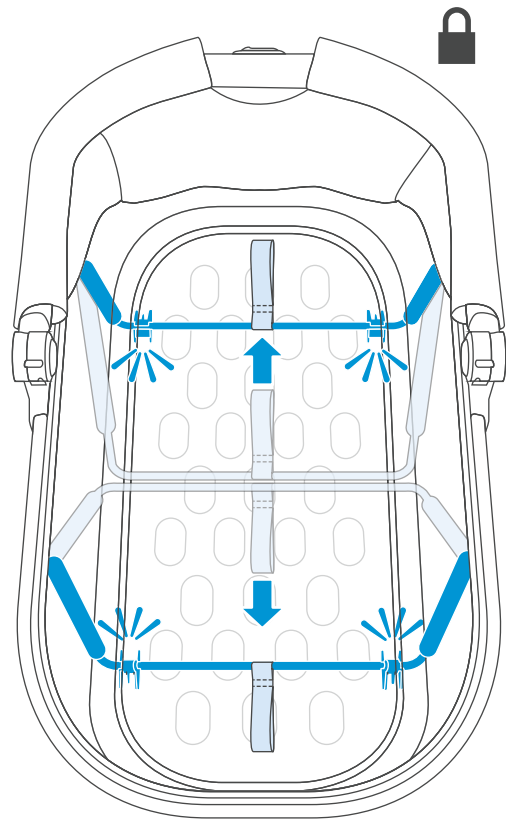


## FRONT/REAR FACING SEAT OPERATION

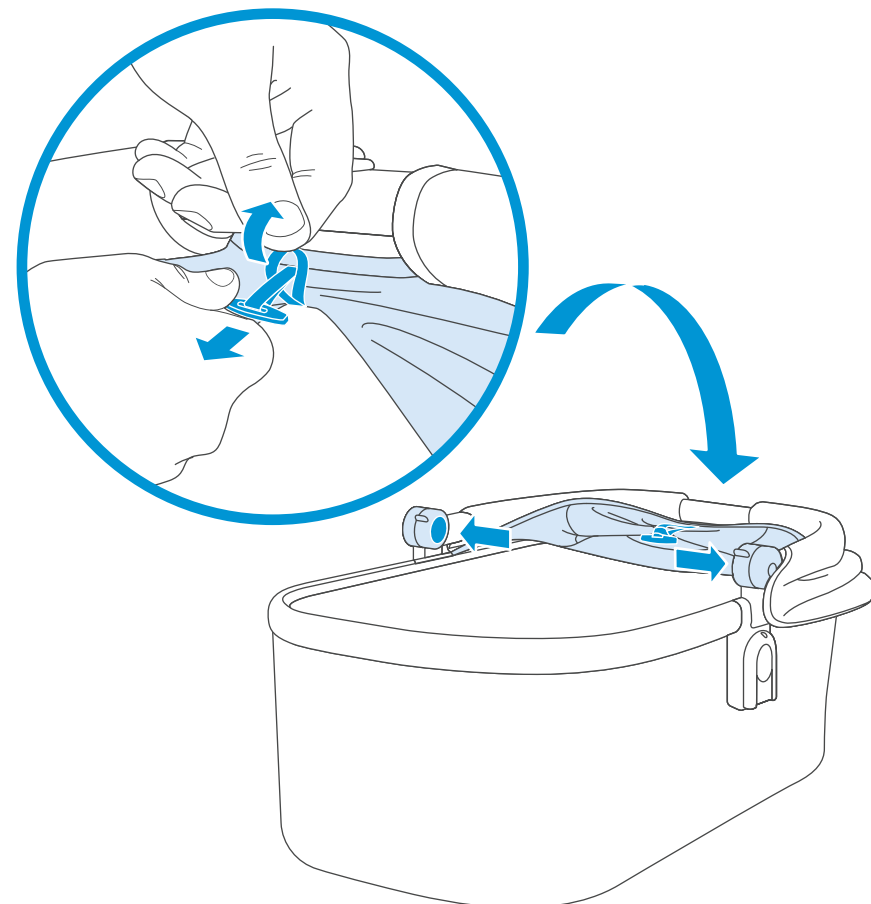
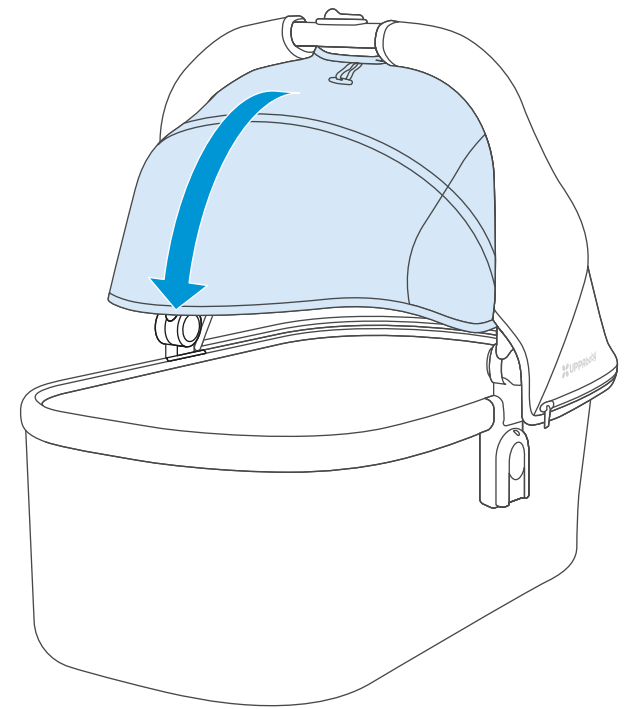




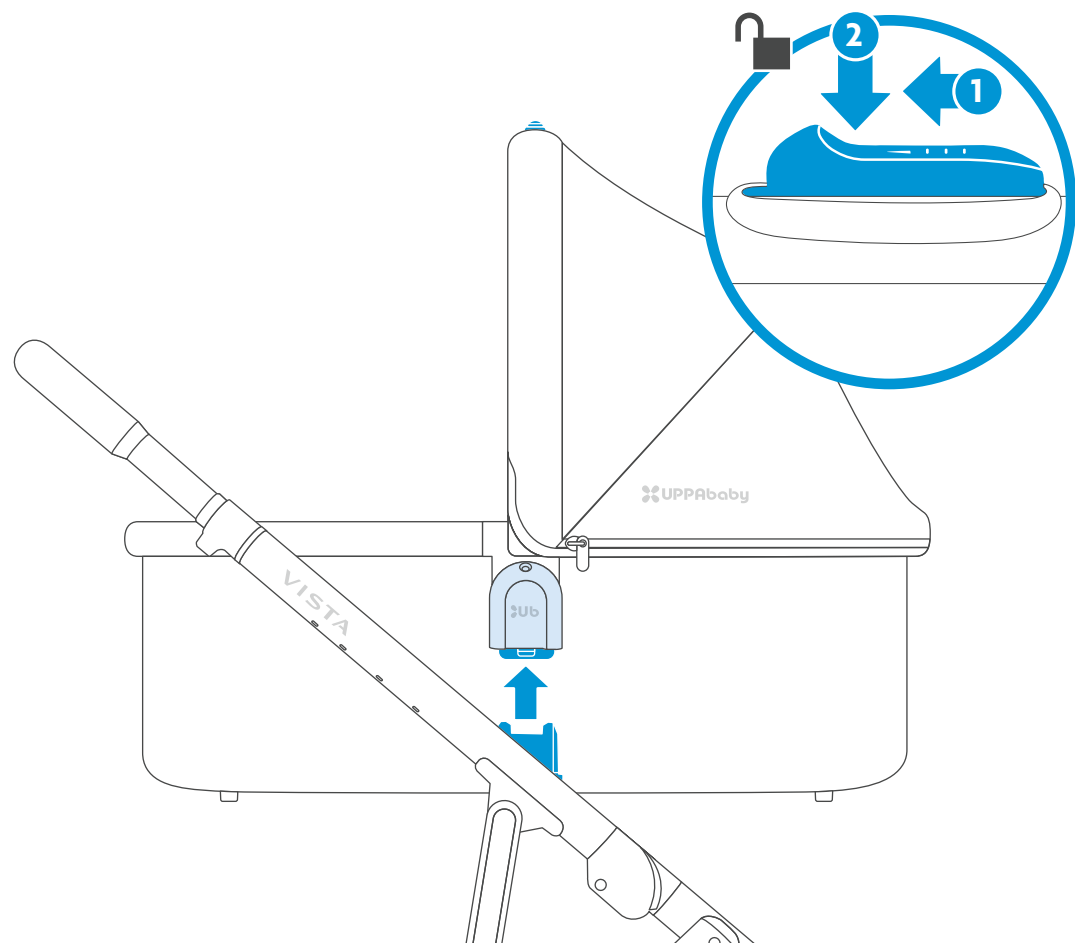
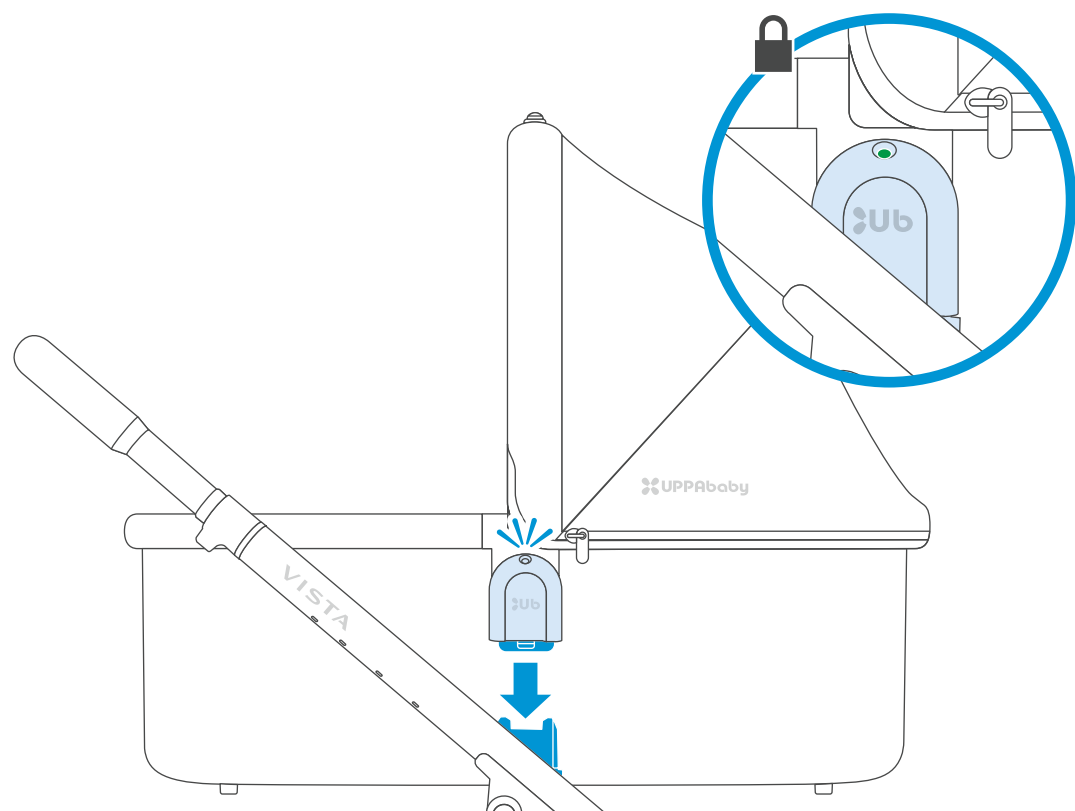
## BASSINET ASSEMBLY



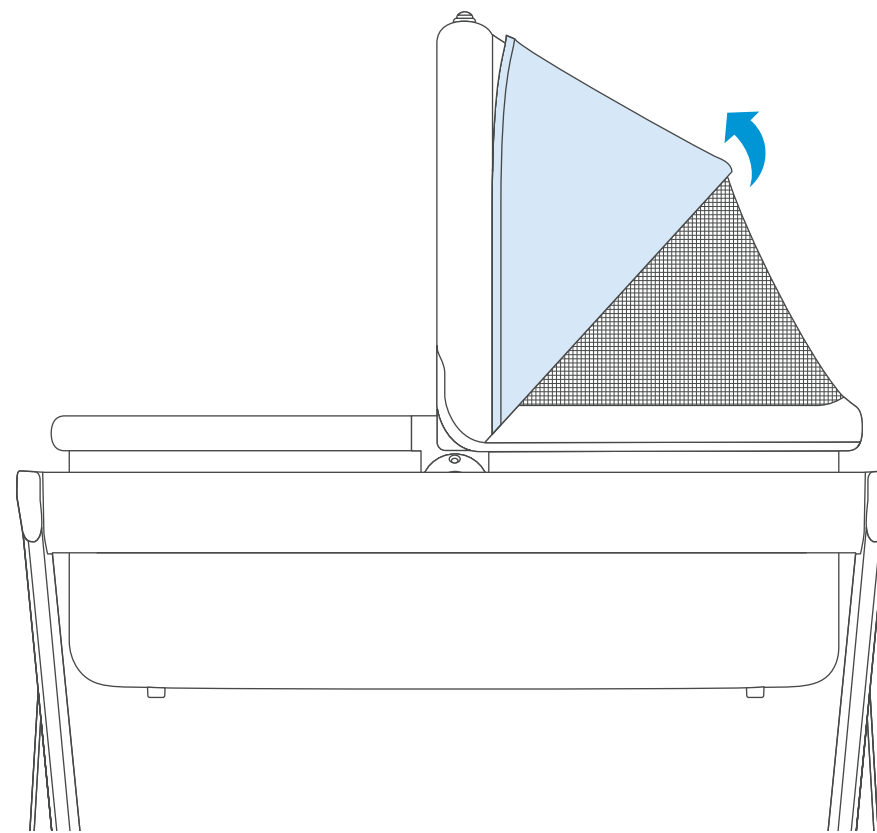
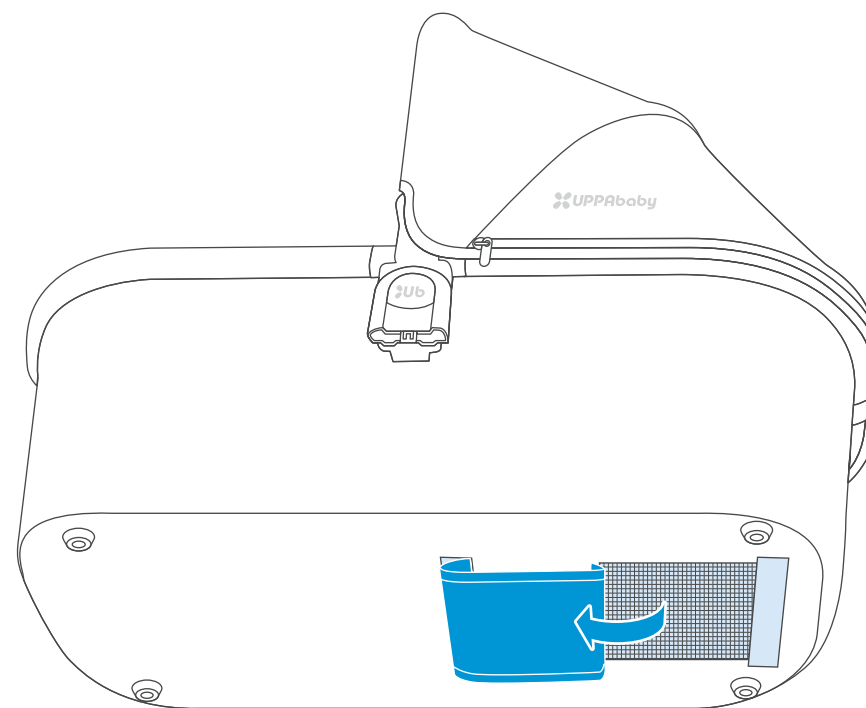
## USING BASSINET CANOPY UB/UV SHADE



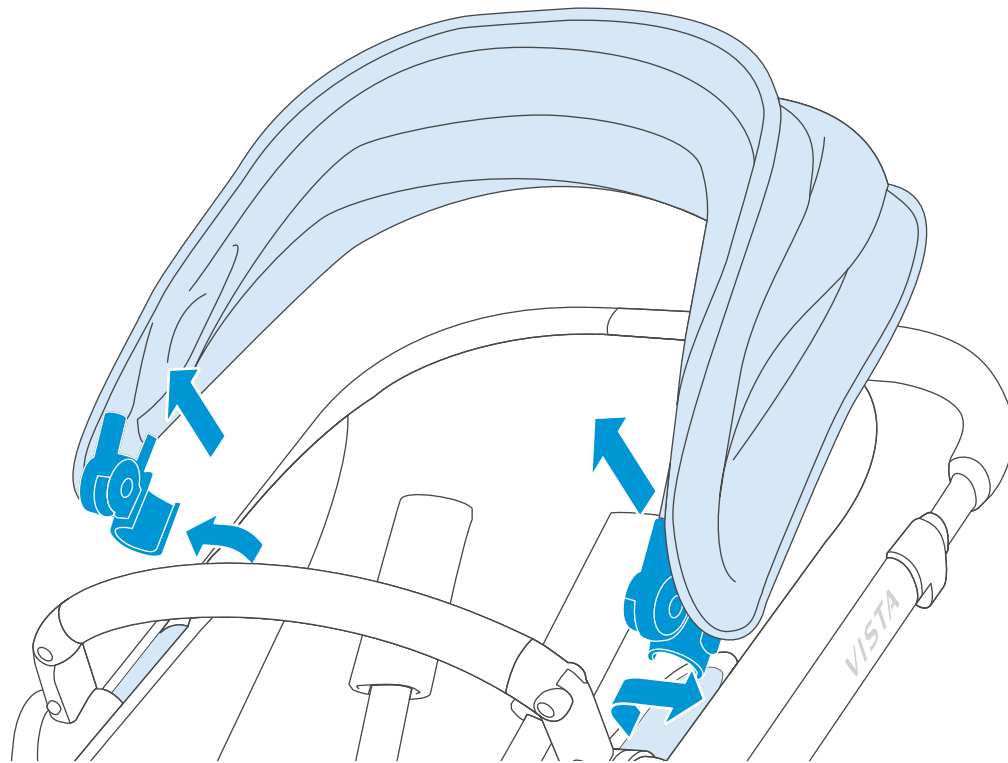
## ATTACH/REMOVE BASSINET FROM STROLLER



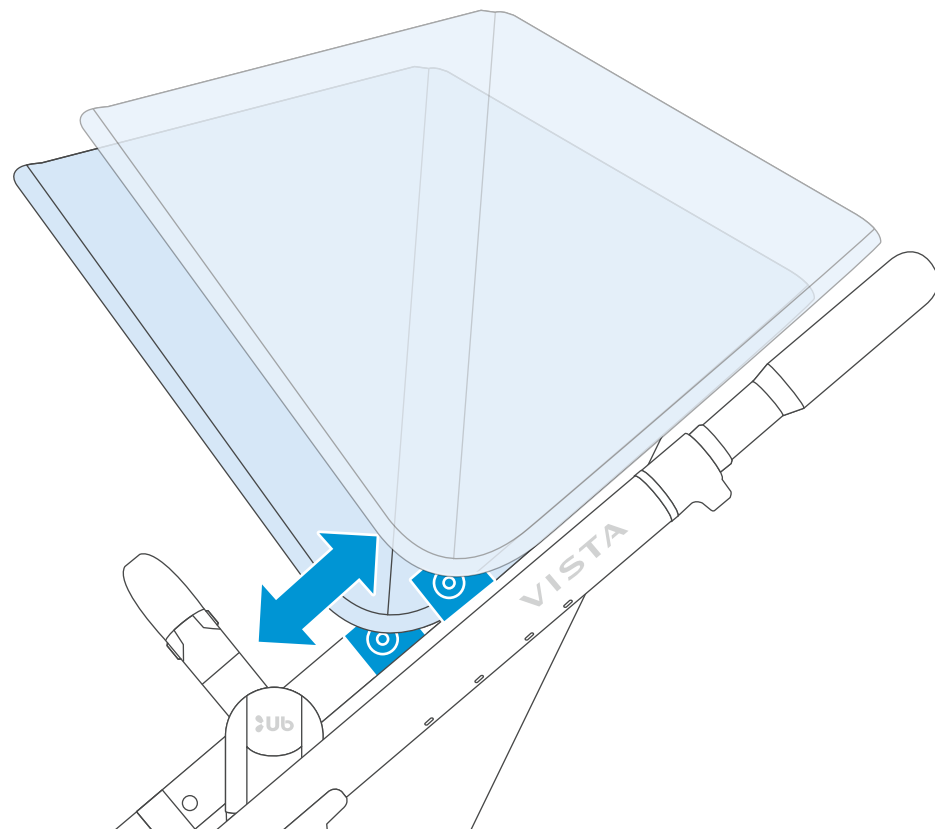
## BASSINET VENTILATION



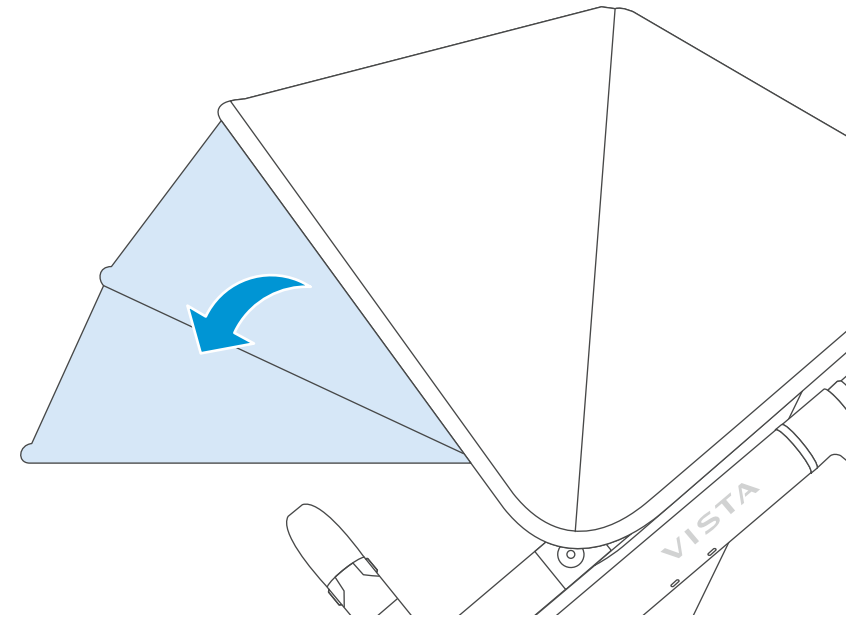
### REMOVING CANOPY FROM SEAT



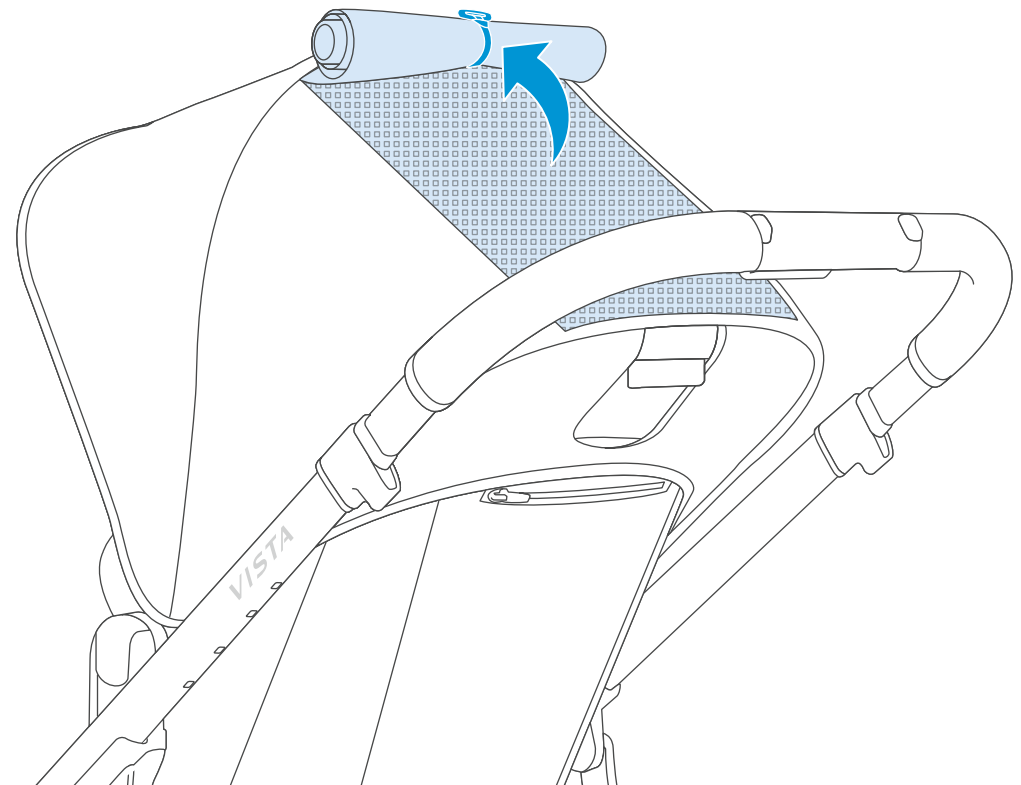
### ADJUSTING CANOPY HEIGHT



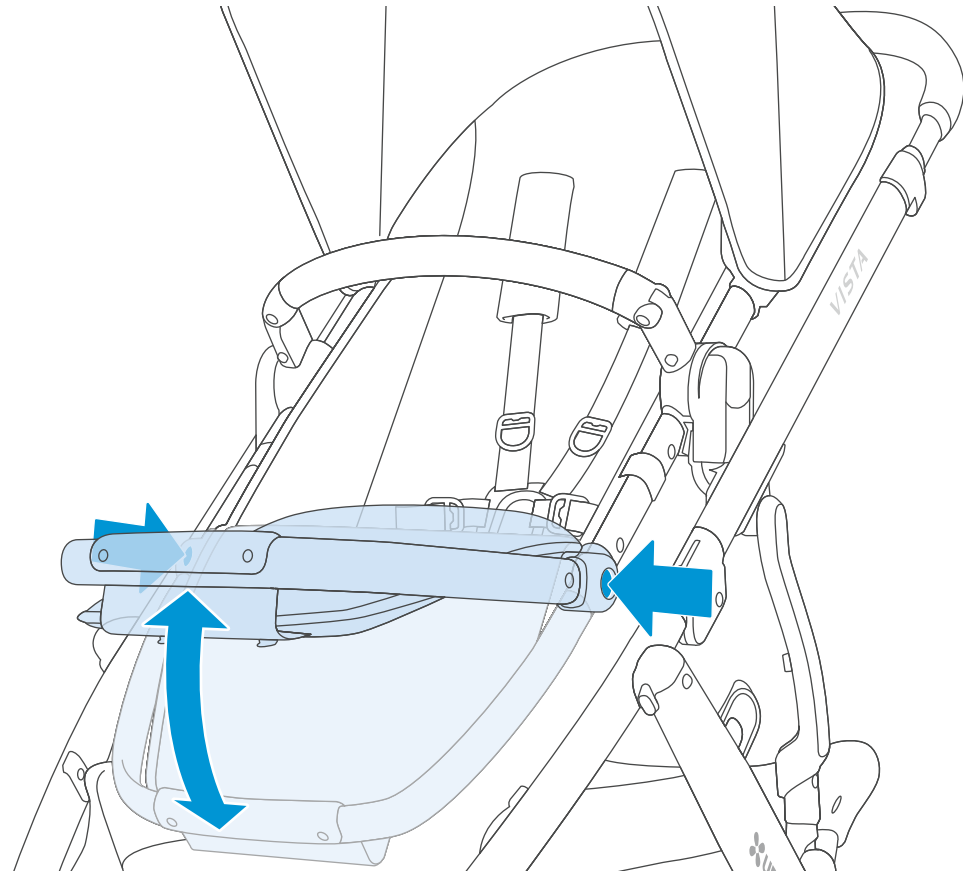
### USING TODDLER SEAT CANOPY UB/UV SUNSHADE



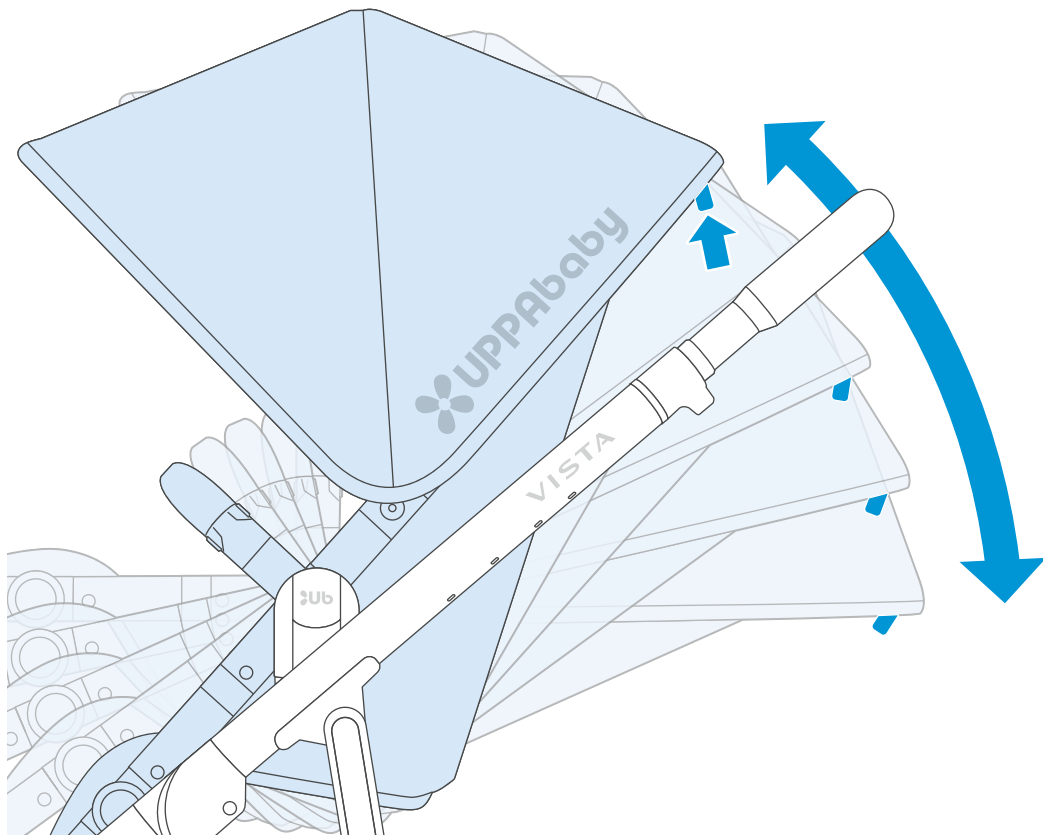
### CANOPY VENTILATION



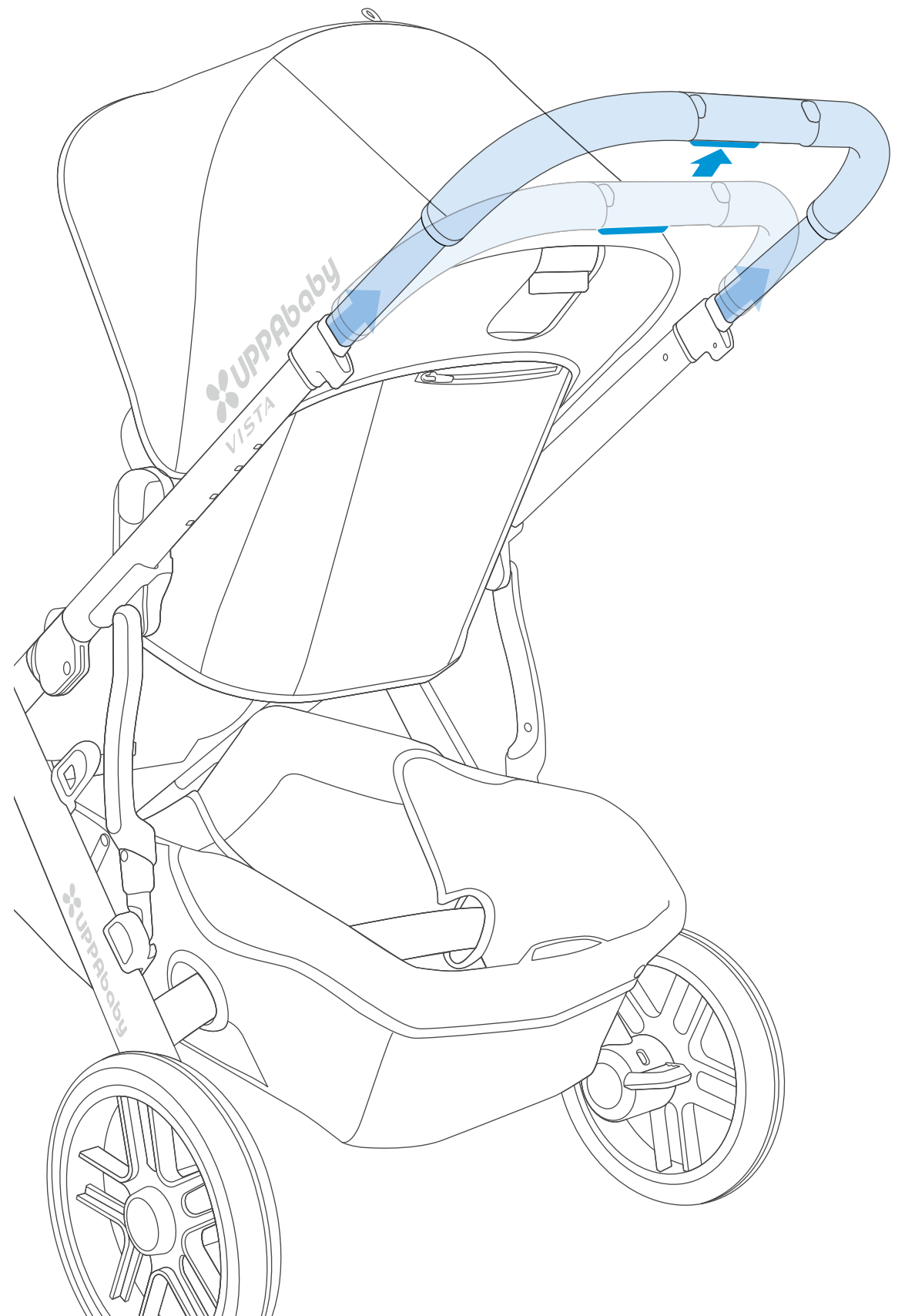
**ADJUSTING FOOTREST**



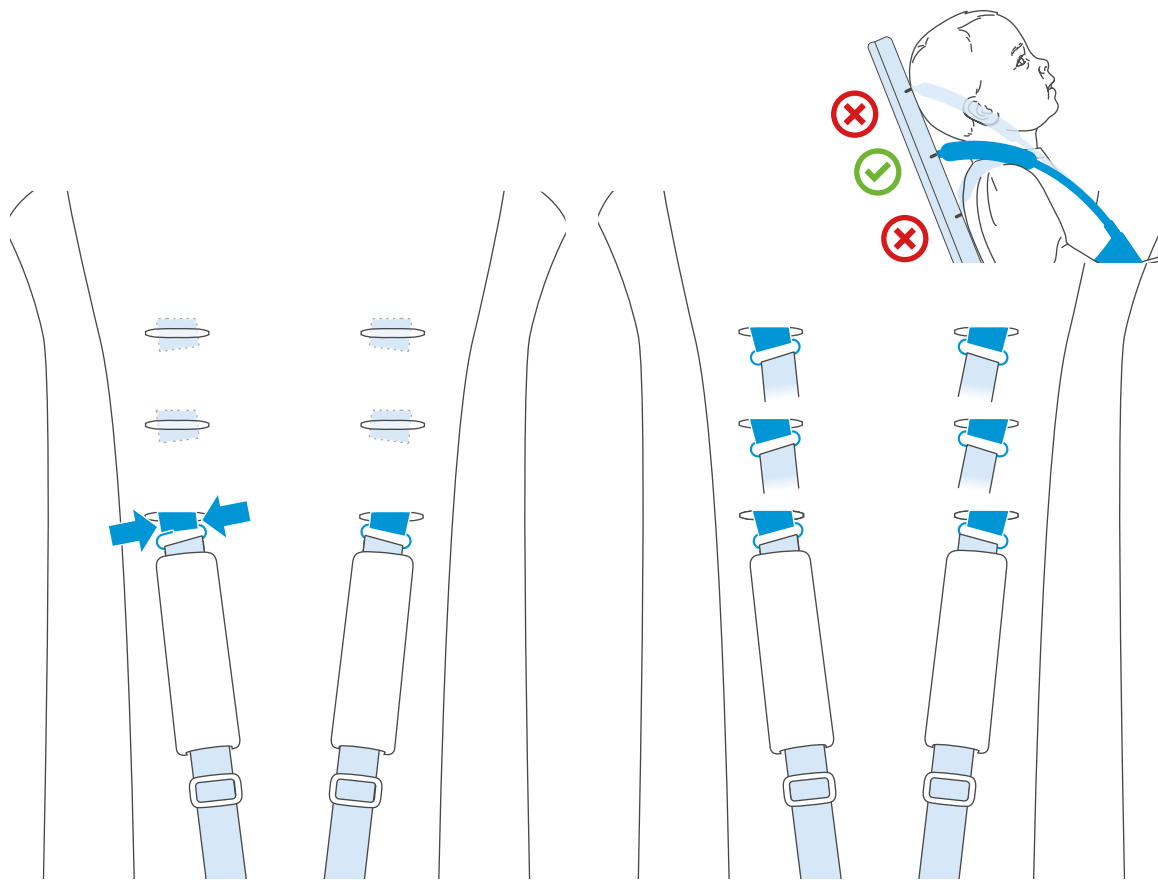
**RECLINING SEAT**



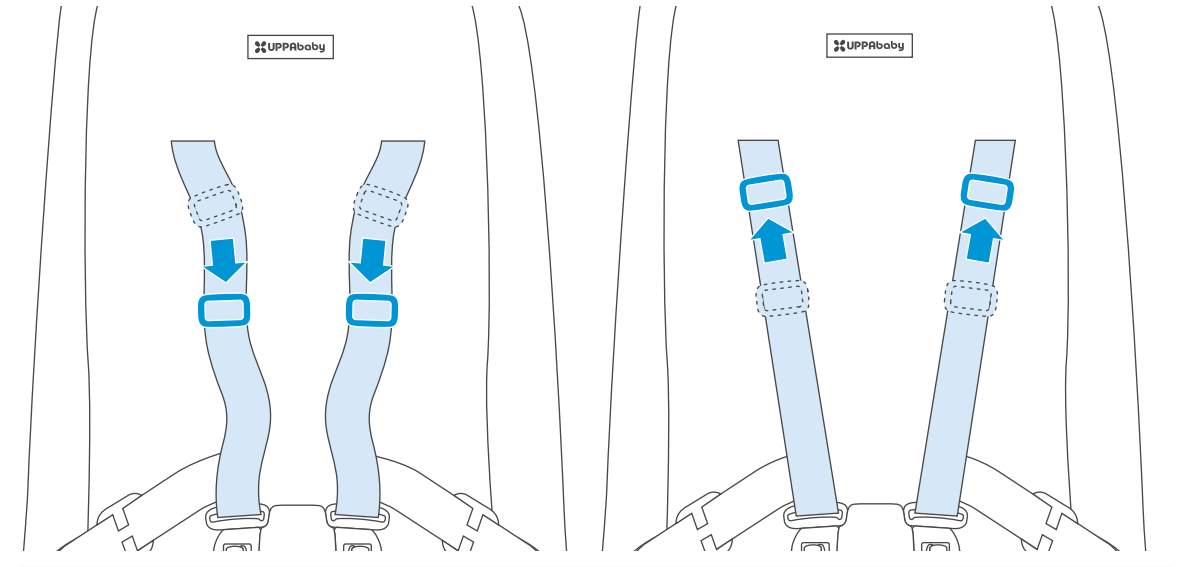
**ADJUSTING HANDLEBAR HEIGHT**



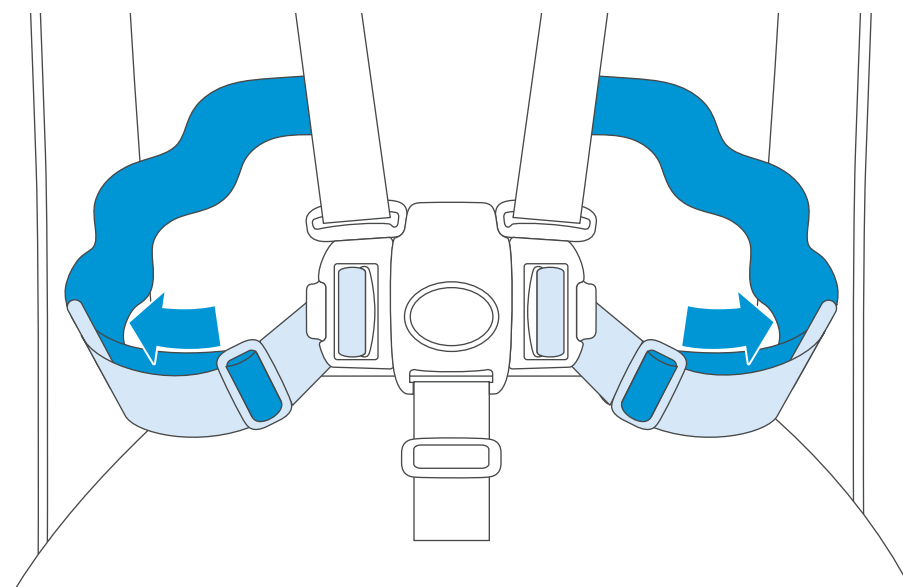
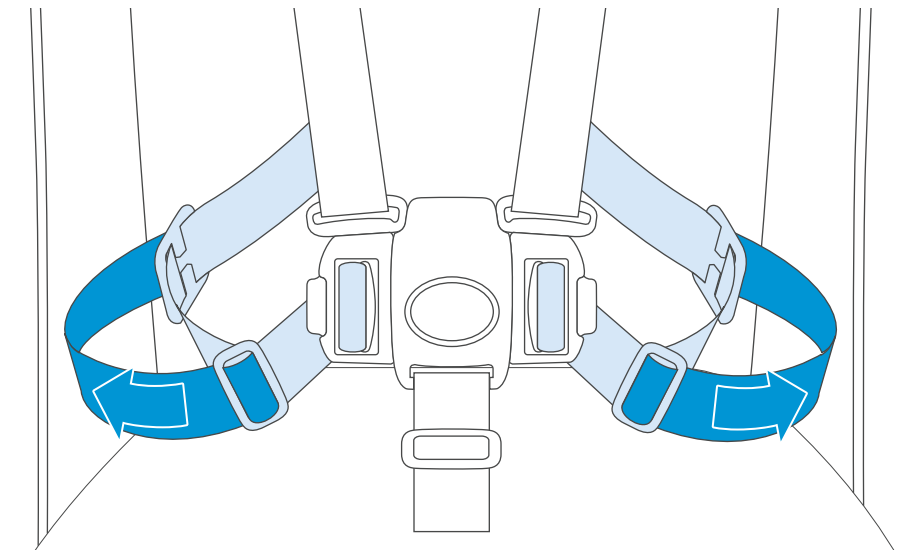
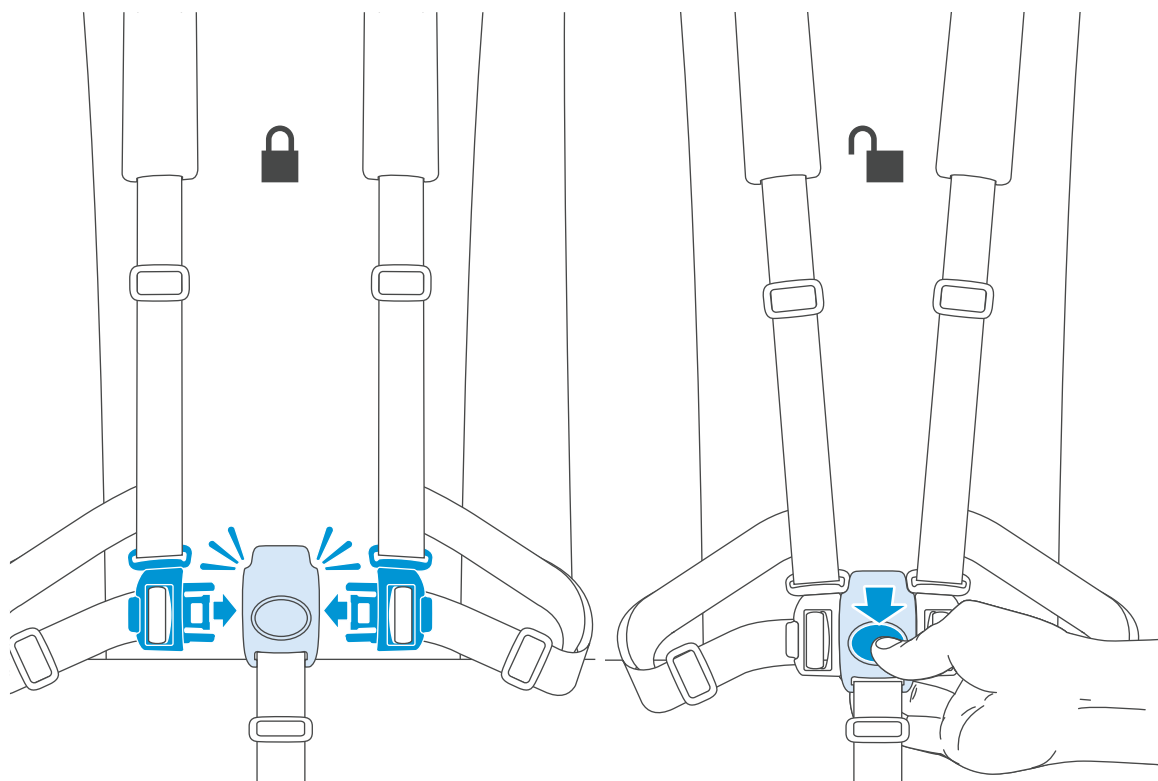
## ADJUSTING SHOULDER HARNESS HEIGHT



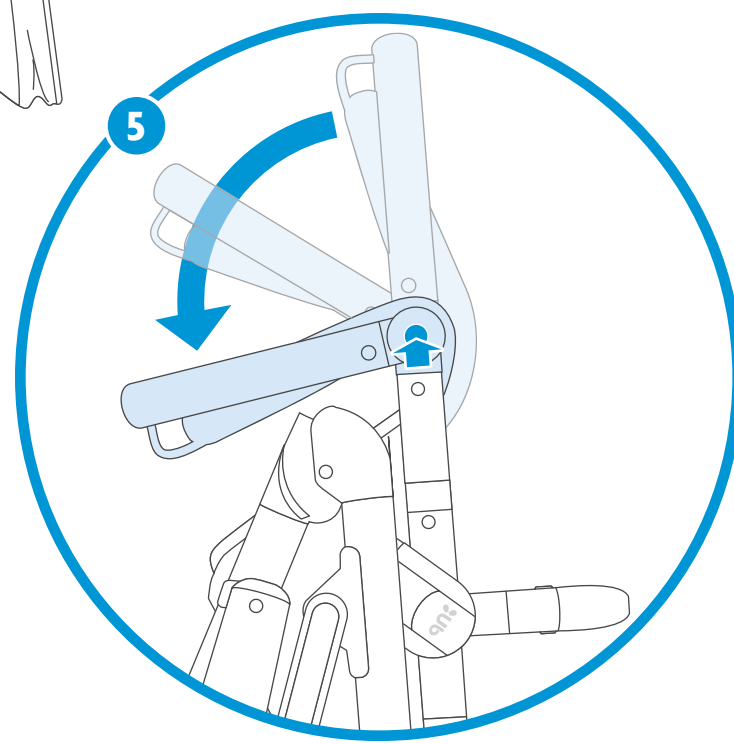
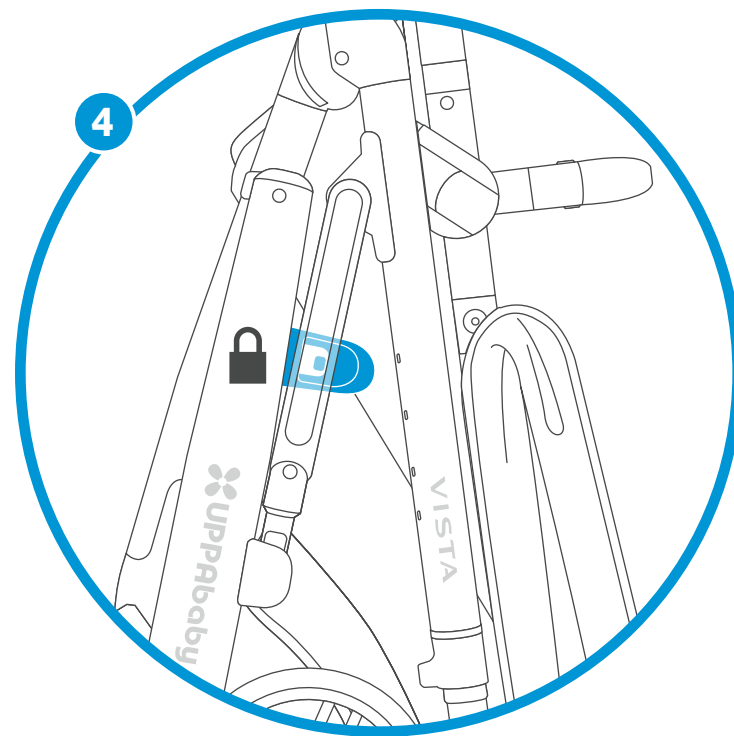
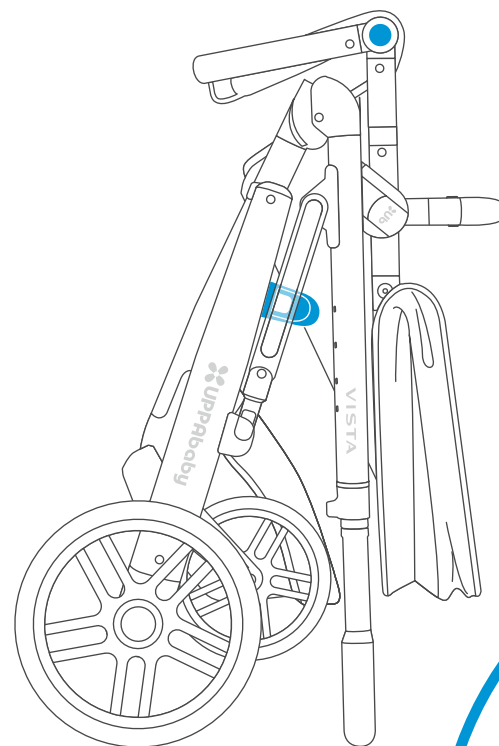
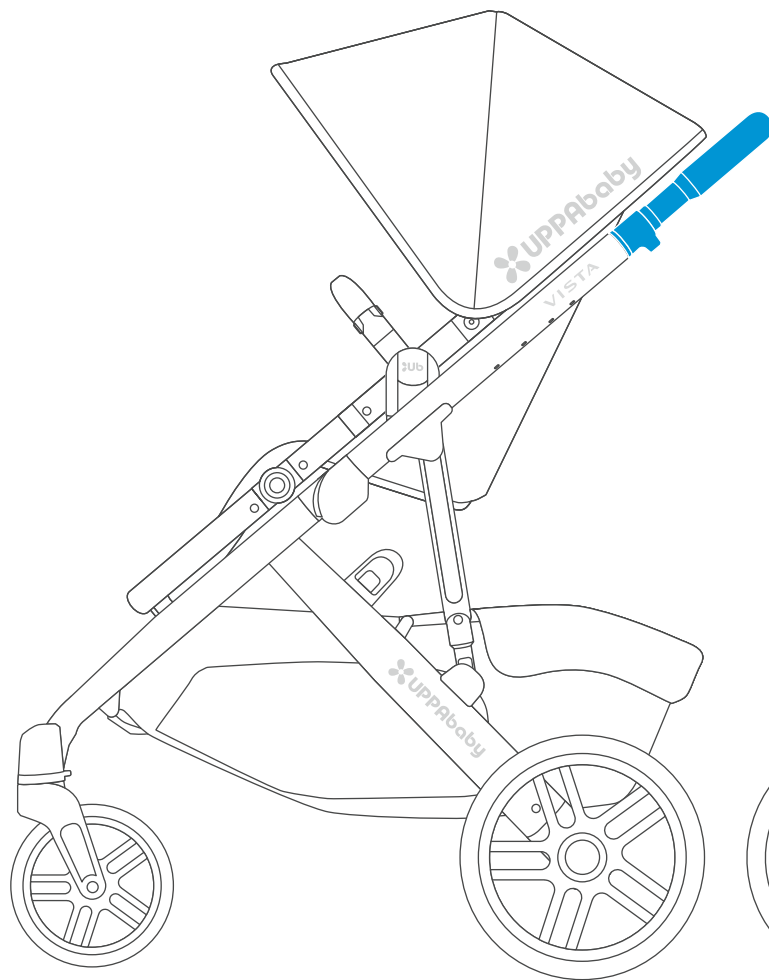
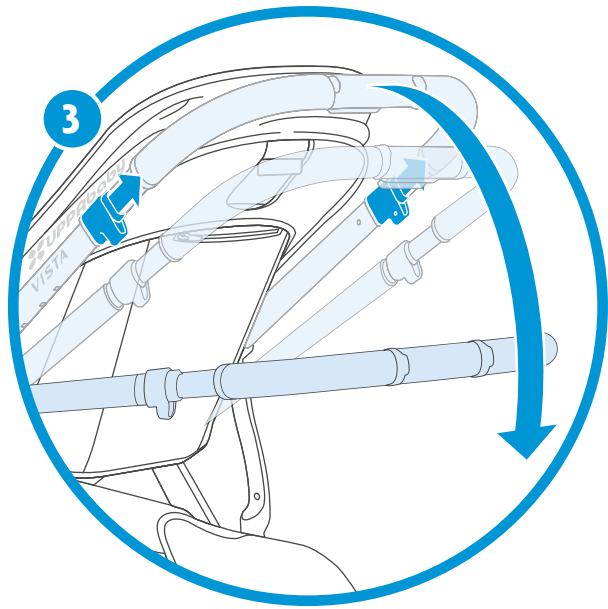
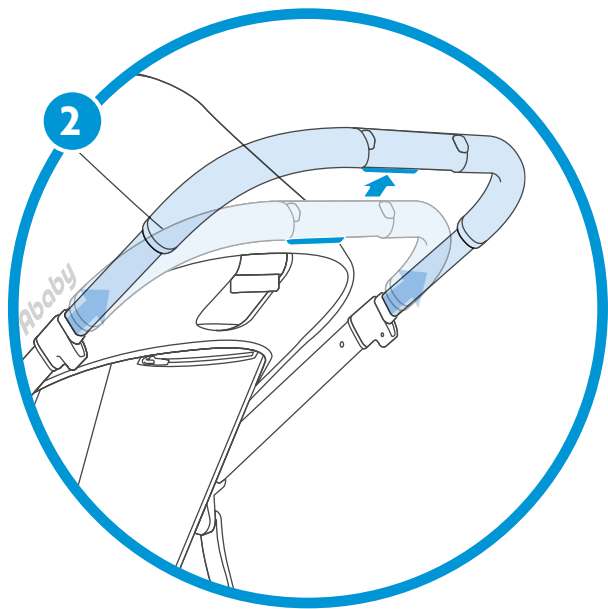
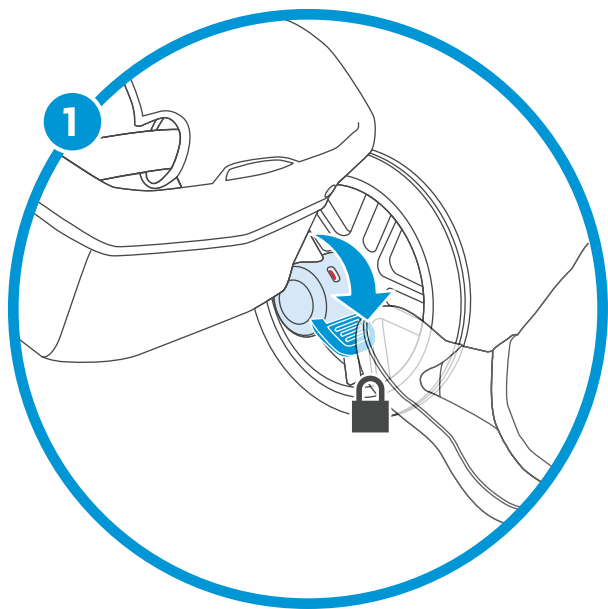
## ADJUSTING HARNESS



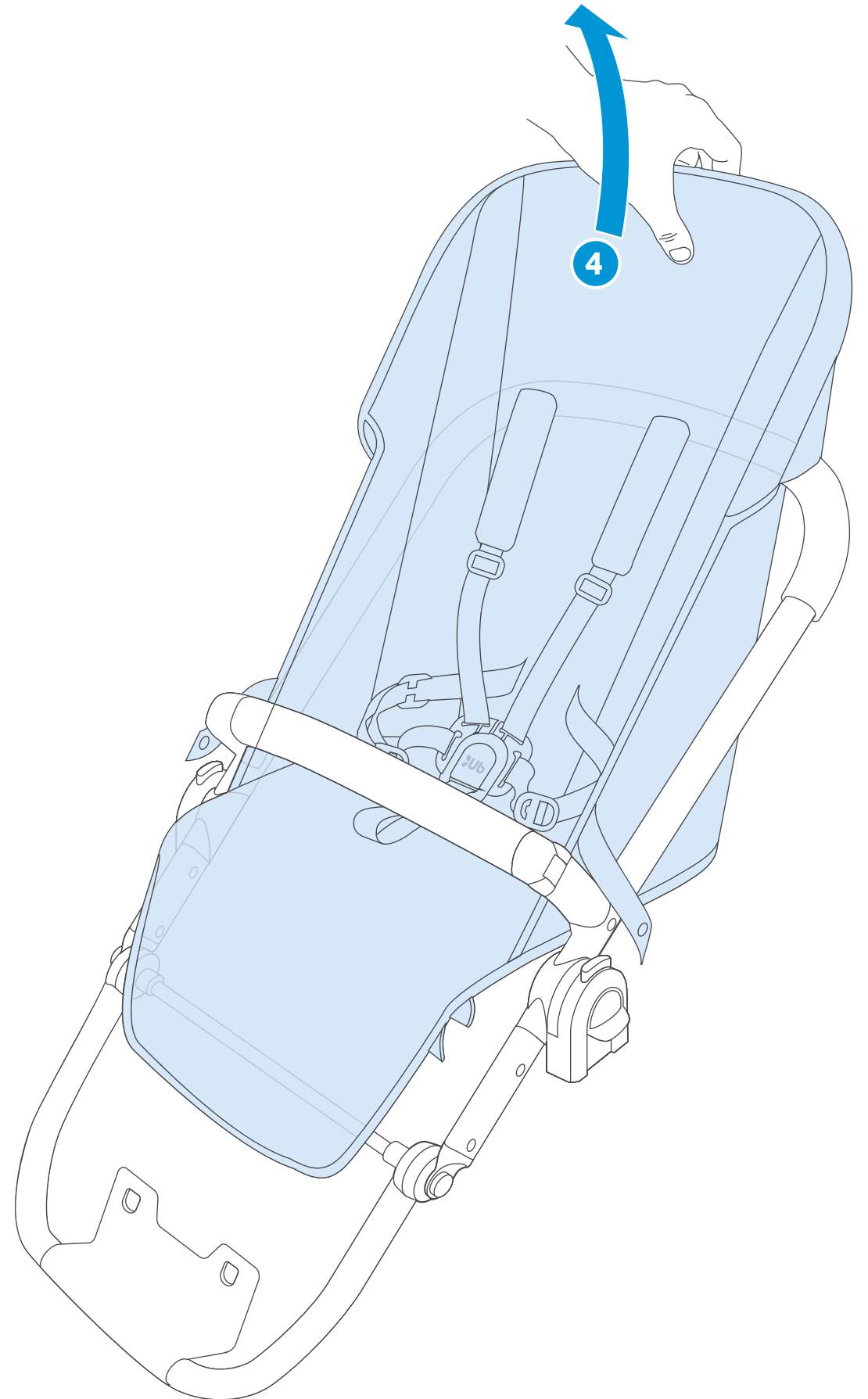
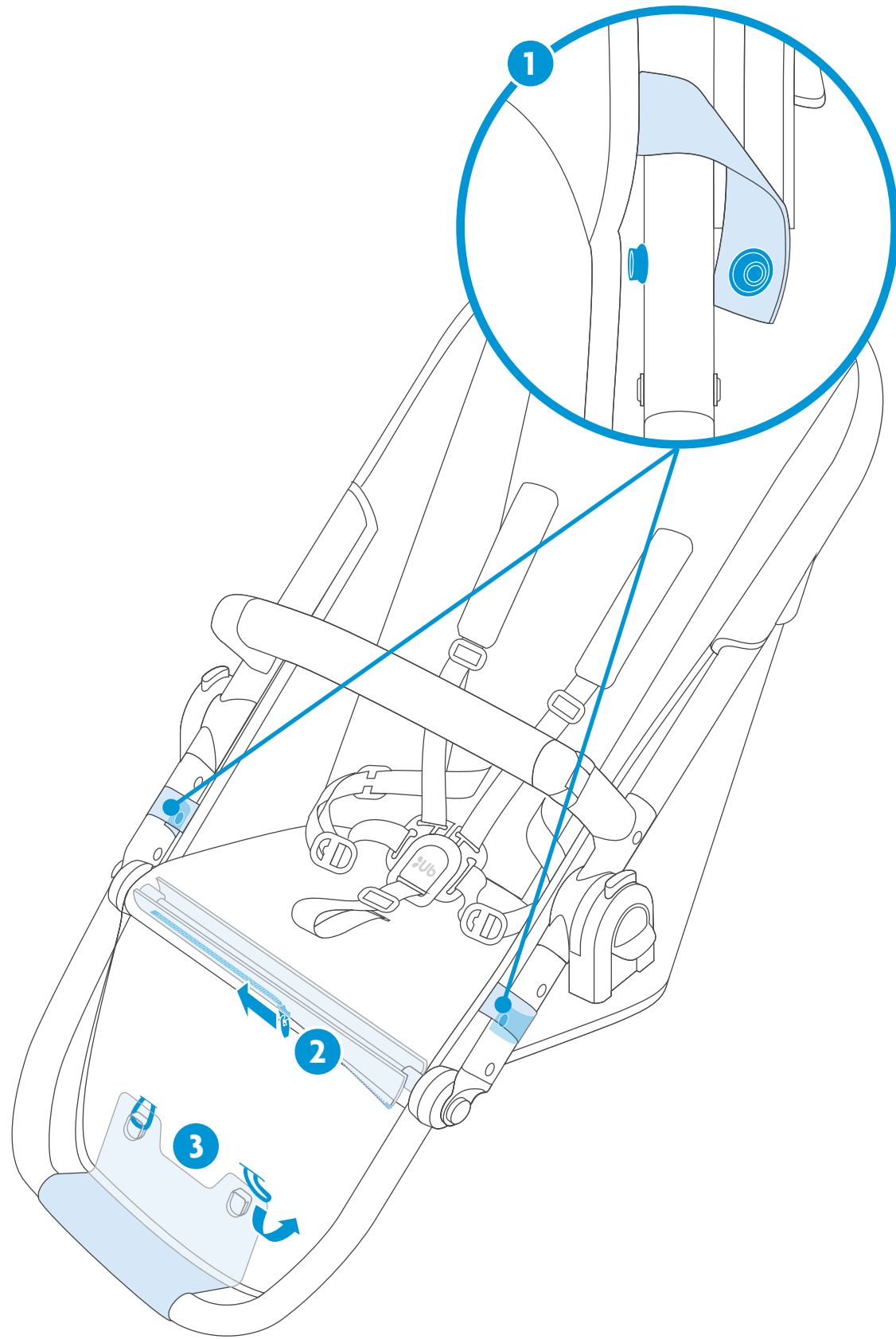
## BUCKLE OPERATION



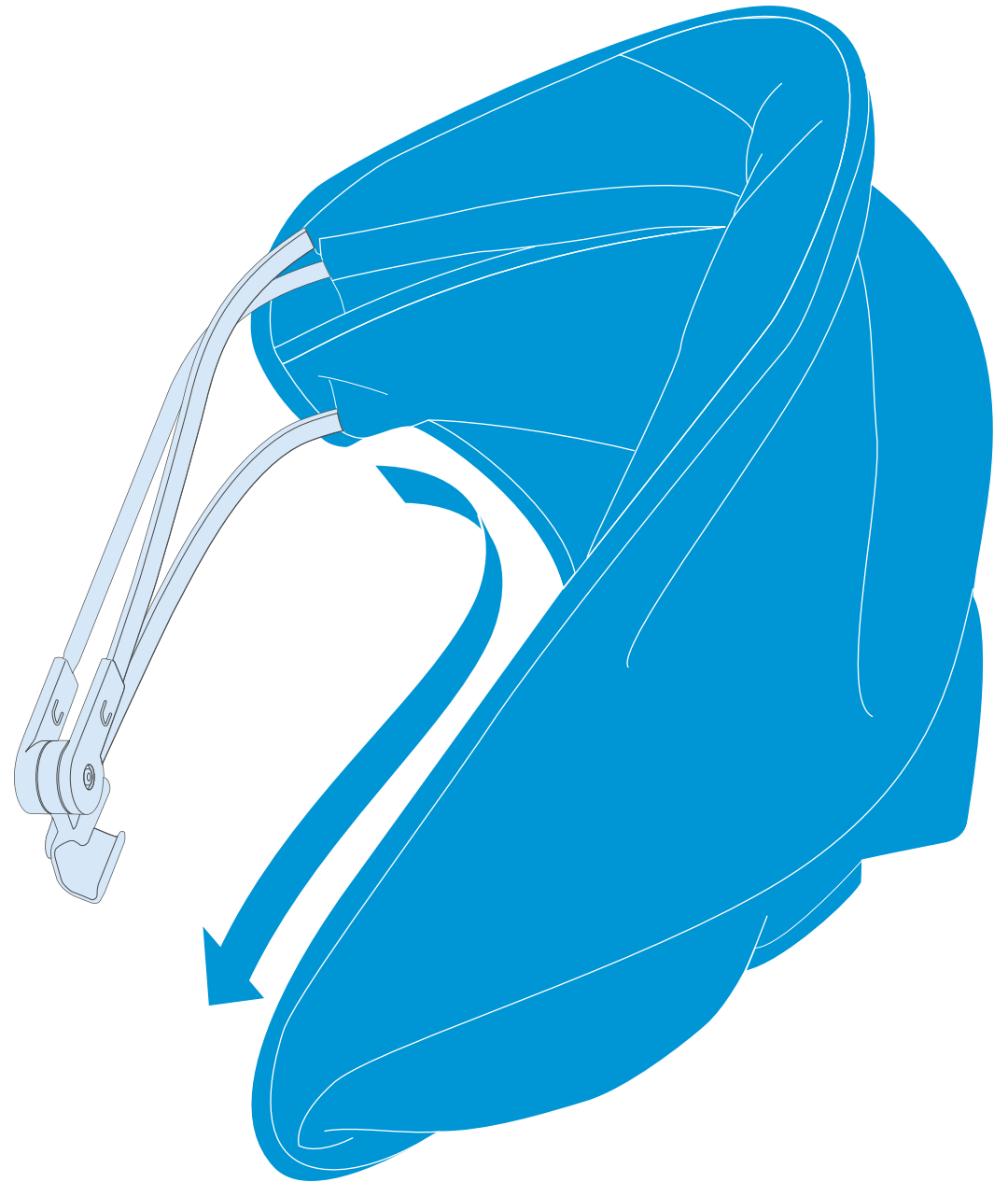
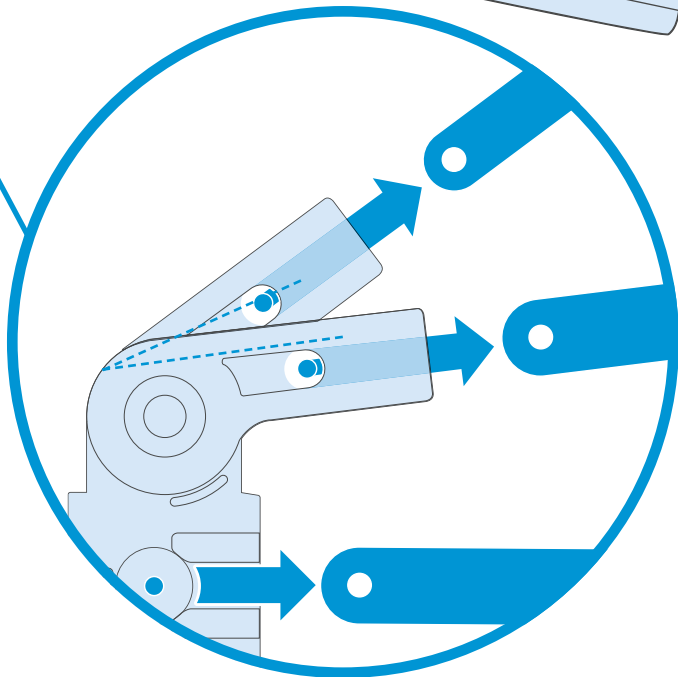
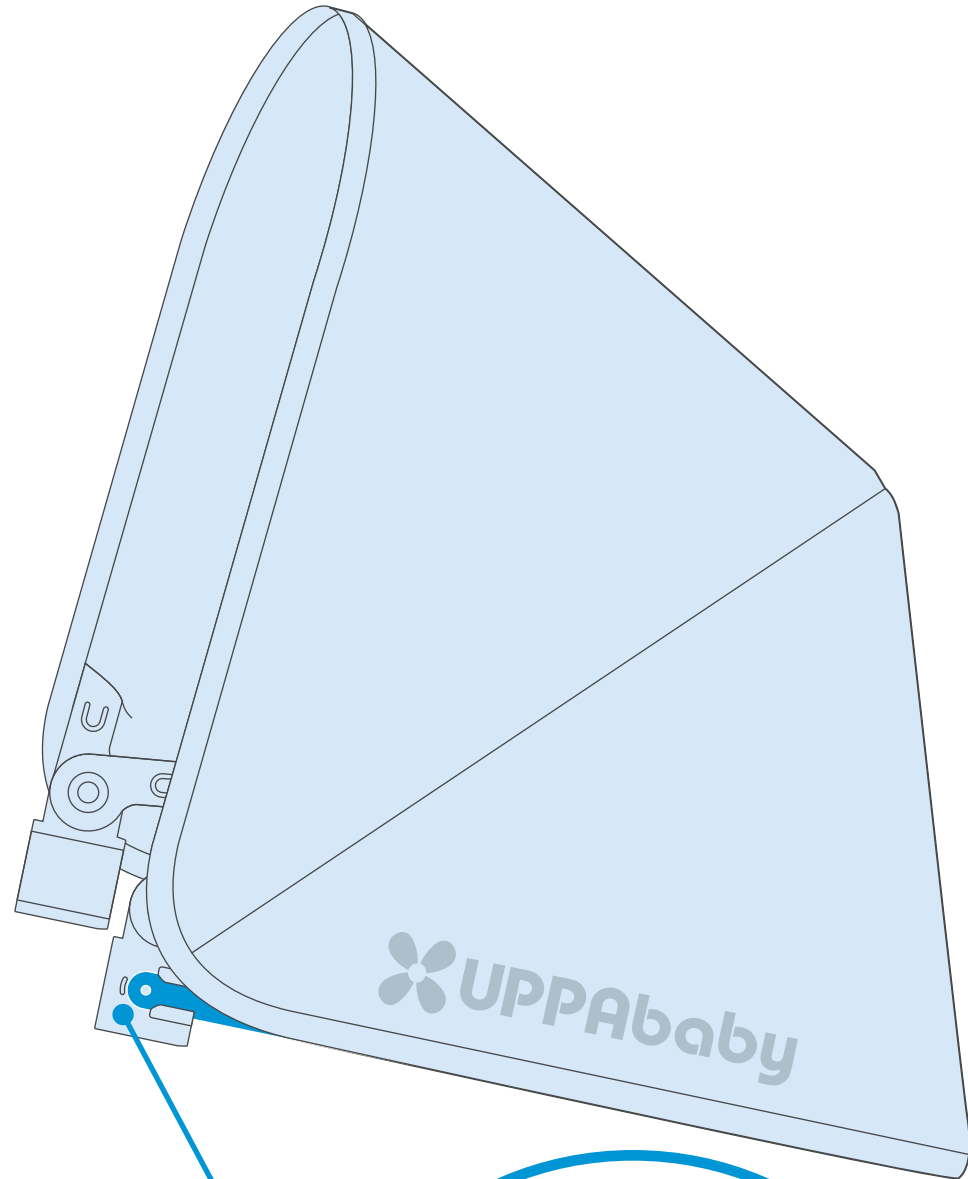
# FOLDING STROLLER



## REMOVING SEAT FABRIC

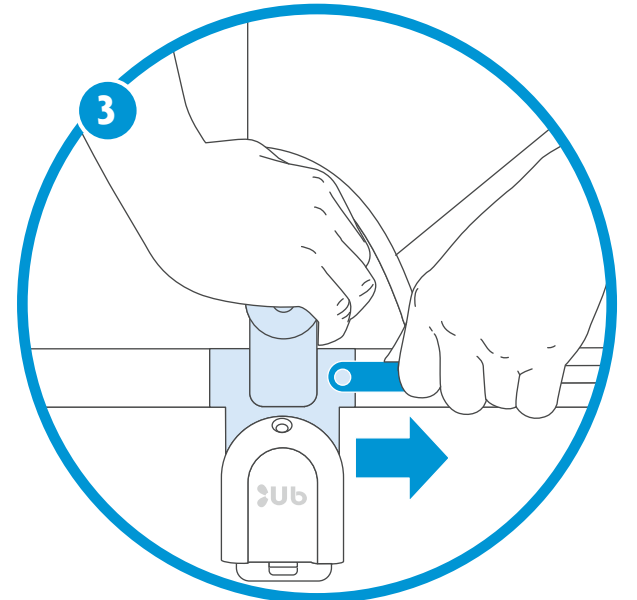
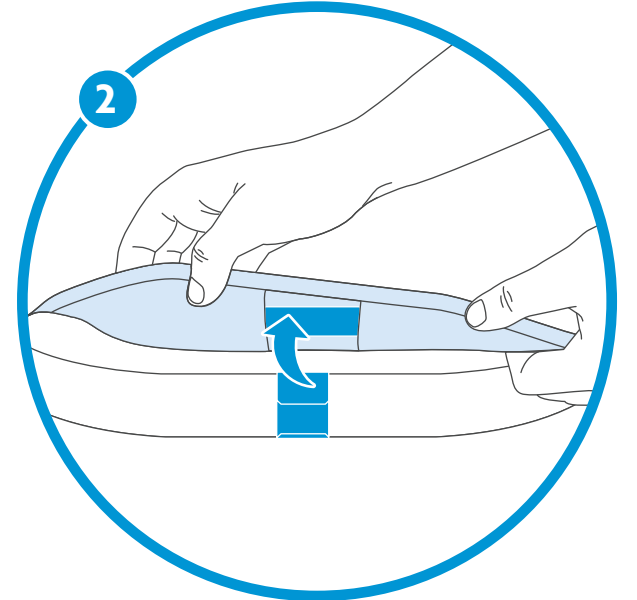
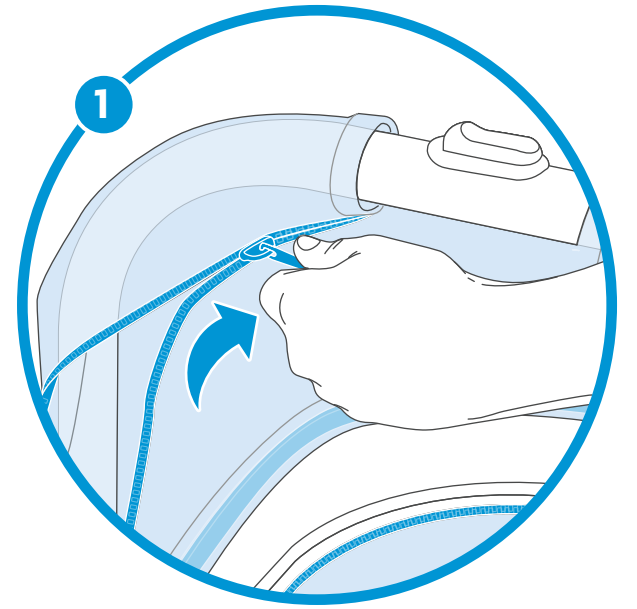
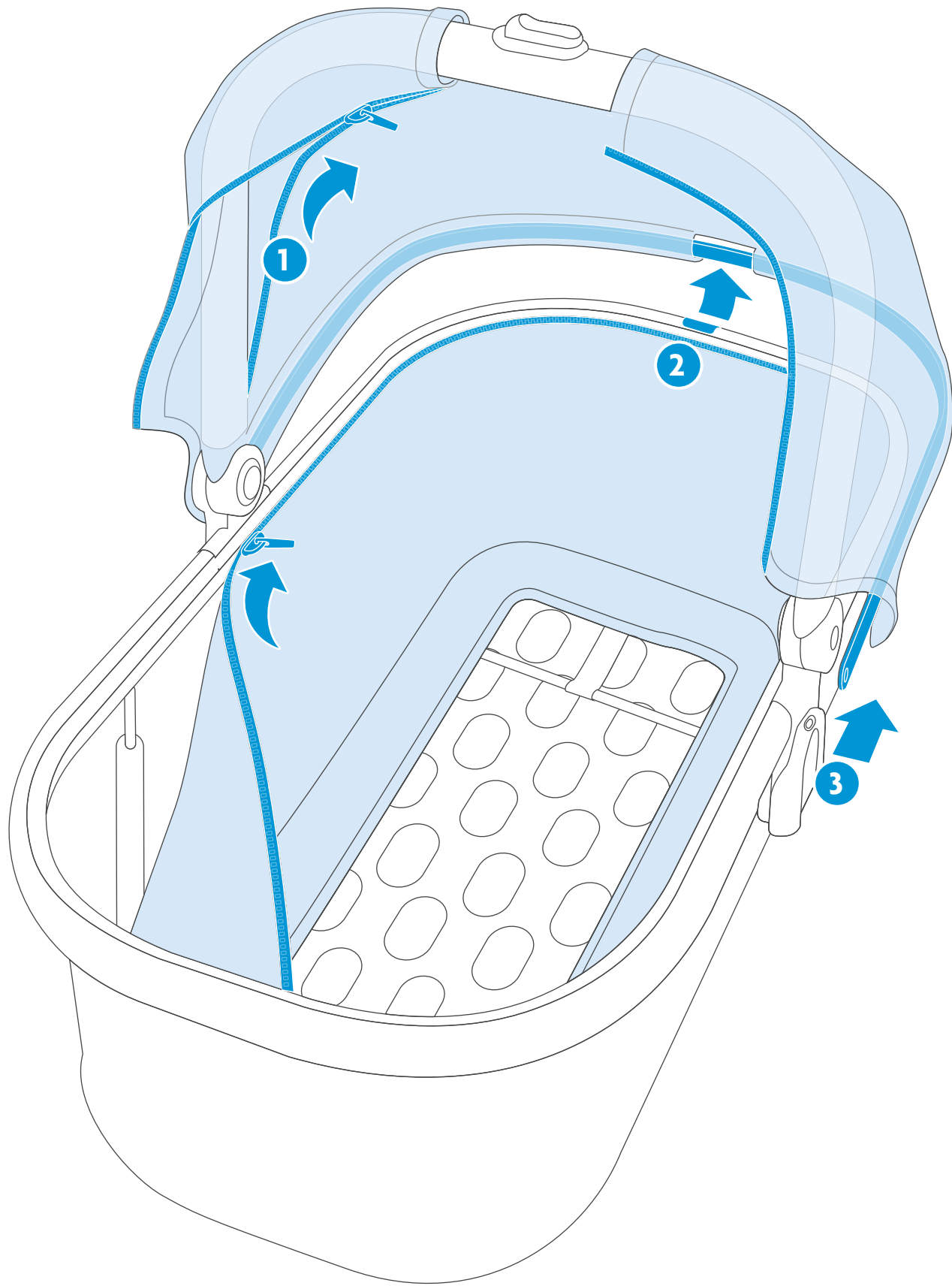


REMOVING CANOPY FABRIC

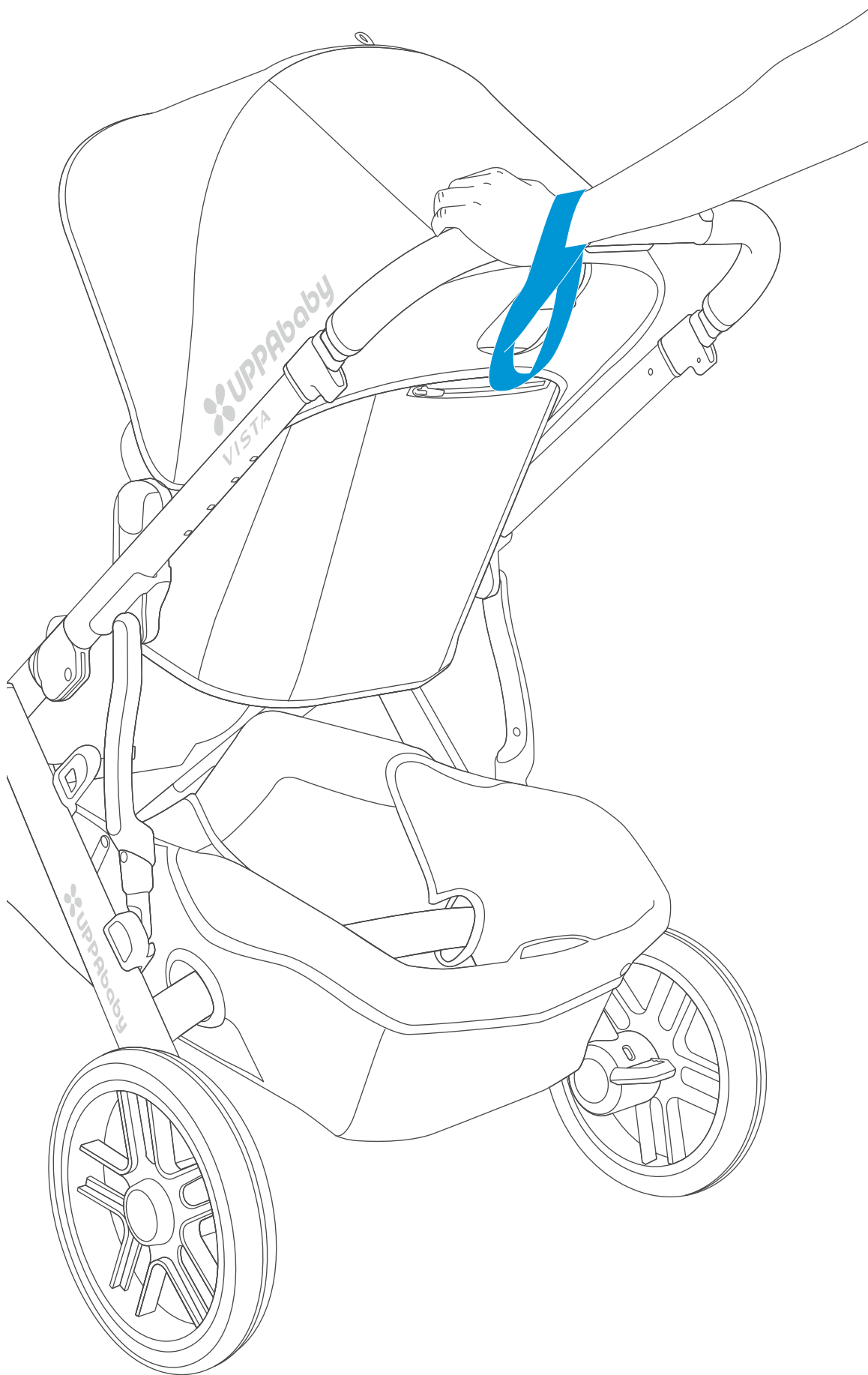




# REMOVING BASSINET FABRIC



## CORRECT USE OF TETHER STRAP



## LIMITED WARRANTY



UPPAbaby offers an EXTENDED 1 YEAR WARRANTY (for a total of 3 years) on all strollers, car seats and select accessories (Carycot, RumbleSeat, and PiggyBack).

**Register your product at: [uppababy.com](http://uppababy.com)**

To receive the additional 1 year warranty, customers must register their product online at [uppababy.com](http://uppababy.com) within 3 months of purchase and provide a valid proof of purchase. Extended warranty applies only to 2015 and later product models.

Your UPPAbaby stroller is warranted to be free from any manufacturing defects for a period of 2 years from the date of purchase under normal use and in compliance with the operating instructions.

This warranty is not transferable and extends only to the original retail purchaser and is only valid when supplied with proof of purchase. **PLEASE RETAIN PROOF OF PURCHASE FOR THIS LIMITED WARRANTY.**

The warranty is valid only in the original country of purchase. This warranty is subject to the conditions set forth by country in which the items were purchased. Conditions may vary. UPPAbaby will not ship replacement or repair parts out of the country of purchase.

UPPAbaby will provide replacement parts or conduct repairs as determined fitting by the company. UPPAbaby reserves the right to exchange item with a replacement part. Some parts may be replaced with newer model parts as the stroller is improved over time.

Please note that a repair issue will NOT be covered by this warranty if:

- The issue is caused by misuse or poor maintenance. Please refer to this instruction booklet for guidance on stroller use and maintenance.
- Damage is caused by improper installation of UPPAbaby parts and/or accessories. Please refer to this instruction booklet for guidance on stroller assembly and use.
- Damage is corrosion, mold or rust caused by lack of maintenance or service.
- Damage is due to general wear and tear, which is the result of everyday use or negligence.
- Damage is caused by sun intensity, sweat, detergents, damp storage or frequent washings.
- Repairs or modifications are carried out by a third party.
- Stroller is purchased from an unauthorized retailer. Approved retailers are listed on our website at [uppababy.com](http://uppababy.com).
- Stroller is second-hand.
- Stroller is damaged as a result of an accident, airline or freight damage.

UPPAbaby reserves the right to determine if warranty terms and conditions have been met.

Please contact your local distributor if you have any questions regarding warranty.