



Bassinet



USA

UPPAbaby, 276 Weymouth Street, Rockland, MA 02370 | [uppababy.com](http://uppababy.com) | 1.844.823.3132

Model 0918-BA5-AU | Version 1

All rights reserved. © 2017 UPPAbaby. UPPAbaby and all associated logos are trademarks. All product specifications are correct at time of print. UPPAbaby reserves the right to change anything at any time without prior notice. Color representation is as close as print processes allow. Not all colors available at all retailers. 72717

Compatible with: **VISTA** 2015+ **CRUZ**

## TABLE OF CONTENTS

Warnings + General Safety Information	2
Cleaning + General Maintenance	4
Product Overview	5
Bassinet Assembly	6
Bassinet Canopy UB/UV Sunshade	7
Attach/Remove Bassinet from Pram/Stroller	8
Bassinet Ventilation	9
Removing Bassinet Fabric	10
Limited Warranty	12

## WARNINGS + GENERAL SAFETY INFORMATION

KEEP THESE INSTRUCTIONS FOR FUTURE REFERENCE

*Please read this manual carefully before using this stroller. Failure to follow instructions properly may result in serious injury to your child.*

### BASSINET WARNINGS:

## ⚠️ WARNING

- **DO NOT** let other children play unattended near the bassinet.
- Audible “click” must be heard in order to determine that each lock is in the proper position. To ensure proper locking engagement, check to see that the bassinet handle cannot be disengaged from the pram without unlocking the device, and/or indicator on sides of bassinet is green.
- This product is suitable only for a child who cannot sit up unaided, roll over and cannot push itself up on its hands and knees.
- Maximum weight of the child: 9 kg (20 lbs).

### WHEN BASSINET IS USED AS A PRAM:

## ⚠️ WARNING

#### TO AVOID INJURY OR DEATH:

#### ALWAYS APPLY THE BRAKES WHENEVER THE PRAM/STROLLER IS STATIONARY.

- **DO NOT LEAVE CHILDREN UNATTENDED.**
- **DO NOT CARRY EXTRA CHILDREN OR BAGS ON THIS PRAM/STROLLER.**
- **MAKE SURE CHILDREN ARE CLEAR OF ANY MOVING PARTS IF YOU ADJUST THE PRAM/STROLLER.**
- Unit may become unstable if the manufacturer’s recommended load is exceeded, or if a parcel bag, accessory, or rack other than that recommended by the manufacturer is used or hung from the unit.
- **DO NOT** make any alterations or modifications to the product with parts not supplied by the manufacturer, as this may cause instability or structural damage not covered under warranty.
- Do not use this bassinet with any other models of stroller.
- It is unsafe to use accessories other than those approved by UPPAbaby.
- Extreme care should be taken if the pram/stroller is used on stairs or an escalator.
- The pram/stroller should not be used near an open fire or exposed flame.
- The pram/stroller is designed for use on flat or gently sloping surfaces and may be unstable on higher sloping and uneven surfaces and could tip over if on sloping, unstable or uneven surfaces.
- Always use the tether strap to prevent the pram/stroller from rolling away.

## WARNINGS + GENERAL SAFETY INFORMATION

## ⚠️ WARNING SUFFOCATION HAZARD

- Infants can suffocate in gaps between an extra pad and side of bassinet or on soft bedding.
- **NEVER** add a mattress, pillow, comforter, or padding. Use **ONLY** the pad provided by the manufacturer.
- Infants can roll over on soft surfaces and suffocate child. **NEVER** place bassinet on beds, sofas, or other soft surfaces.
- To reduce the risk of SIDS Pediatricians recommend healthy infants be placed on their backs to sleep, unless otherwise advised by a Physician.
- **DO NOT** allow any part of sunshade or bassinet storage bag to cover a child’s nose or mouth.
- For extended sleep, make sure canopy is raised and locked in upright open position.

## ⚠️ WARNING FALL HAZARD

- To prevent falls, do not use this product when the infant begins to push up on hands and knees or has reached manufacturer’s recommended maximum weight, whichever comes first.
- Child’s movement can slide bassinet. **NEVER** place bassinet near edges of counter tops, tables, or other elevated surface.
- Use only on a firm ground which is horizontal, level and dry when not in use with the pram/stroller.
- If the bassinet is intended to be used with a stand, check that the dimensions of the latter correspond to those of the bassinet base (36 cm w x 75 cm h).
- This bassinet is designed to be used with the UPPAbaby VISTA stroller and UPPAbaby VISTA bassinet stand only.
- **NEVER** use the bassinet as a means to transport an infant in a motor vehicle.
- To avoid serious injury or death to your child, do not use this bassinet as a car bed.
- Use of bassinet boot cover is recommended for added safety of your child.

Manufactured to comply with: AS/NZS 2088:2013.

## CLEANING + GENERAL MAINTENANCE

### CLEANING:

- Clean frame with a damp cloth and a mild detergent; dry thoroughly. **DO NOT** use abrasives.
- If the frame parts have been exposed to salt water we recommend that they be rinsed with fresh (tap) water as soon as possible to avoid corrosion. Always dry frame if wet.
- All fabrics are removable.
- To extend the life of your product's fabric, keep it clean and do not leave it in direct sunlight for long periods of time.
- **DO NOT** fold or store the product if it is damp or wet, nor store in a damp environment.

### MAINTENANCE AND REPAIR:

- This product requires user inspection and maintenance regularly. Check all connecting hardware (rivets, screws, etc.) for tightness and security. Inspect all brakes, tires, seat harnesses and locks for correct operation. Seek prompt repairs or replacements as needed and never continue using the product if it is structurally not safe.
- Only UPPAbaby replacement parts should be used. It may be unsafe to use parts supplied by another manufacturer.
- Contact Customer Service with any repair questions.

#### CLEANING OUTER BASSINET FABRICS



Spot clean or hand wash in cold water with mild detergent. **DO NOT** bleach.



Dry flat and away from direct sunlight before re-use or storage.



**DO NOT** iron or dry clean.

#### CLEANING INNER BASSINET FABRICS



Machine wash cold gentle cycle with mild detergent. **DO NOT** bleach

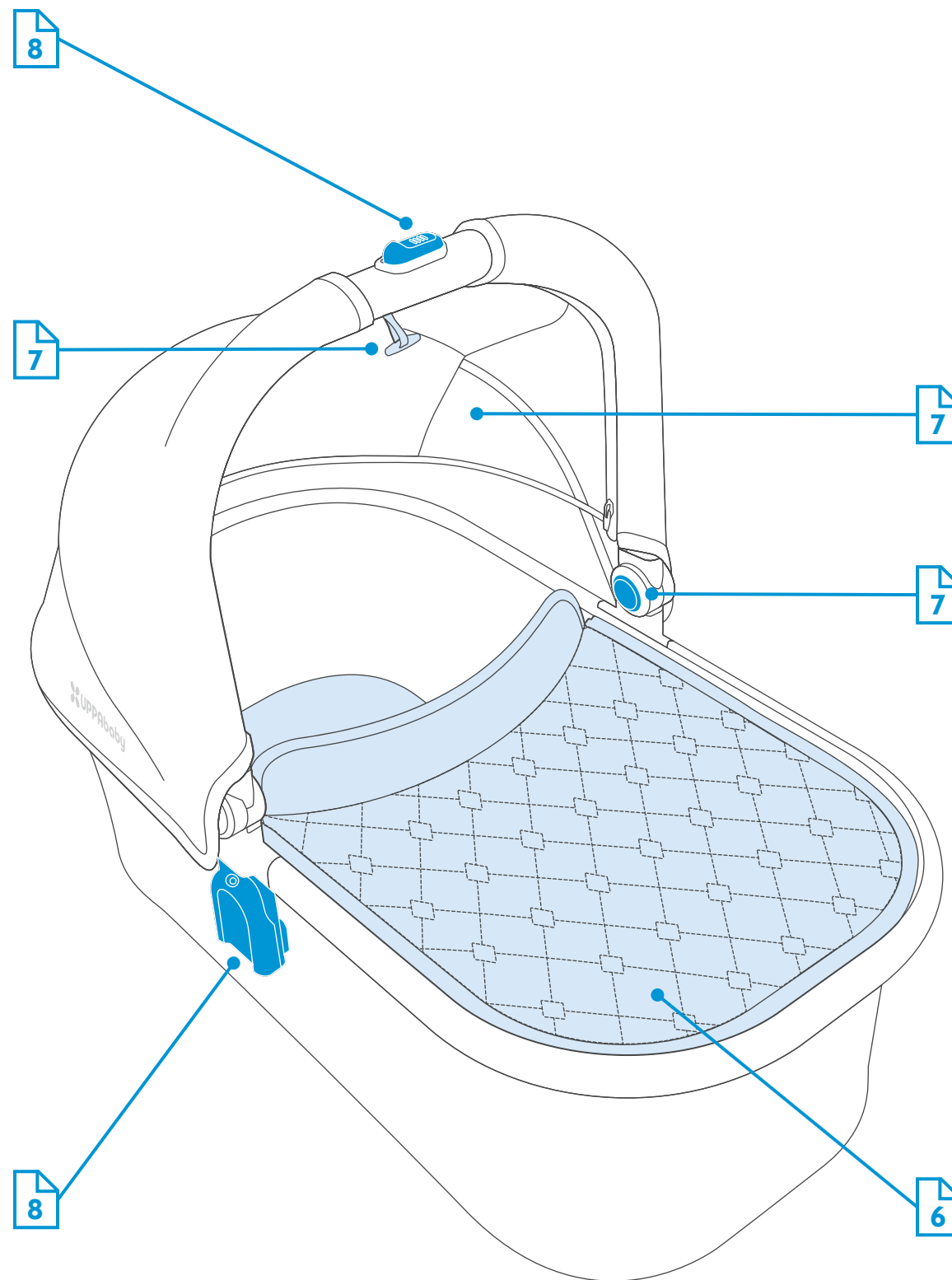


Dry flat and away from direct sunlight before re-use or storage.

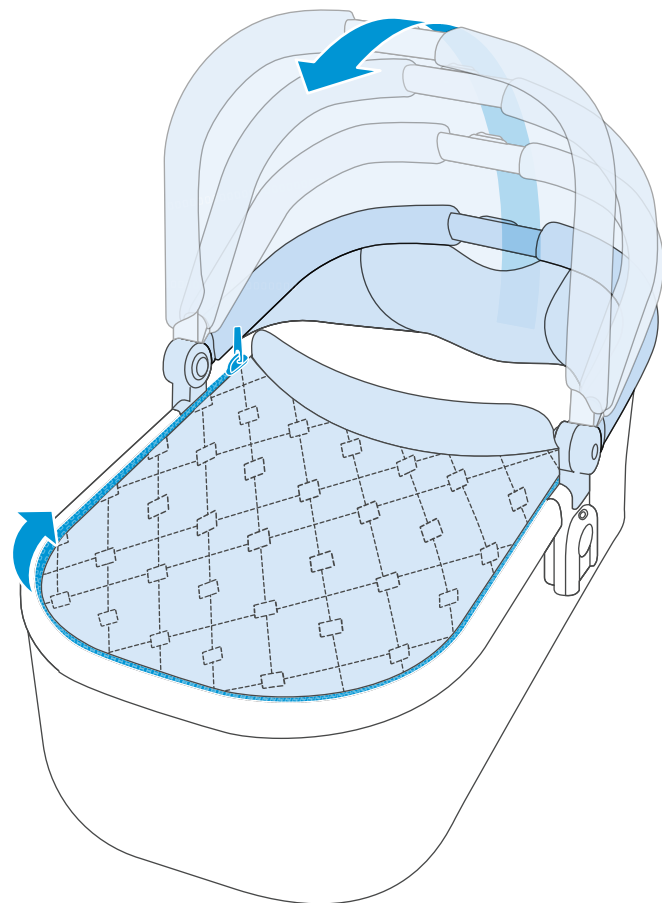
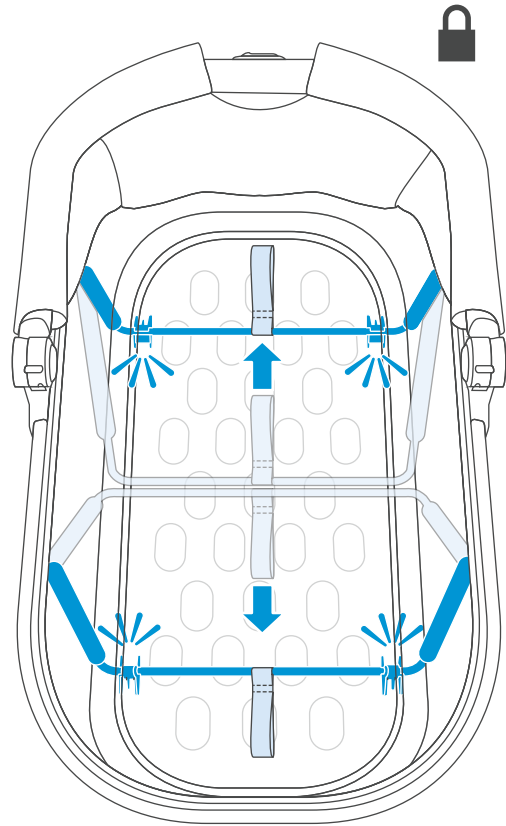


**DO NOT** iron or dry clean.

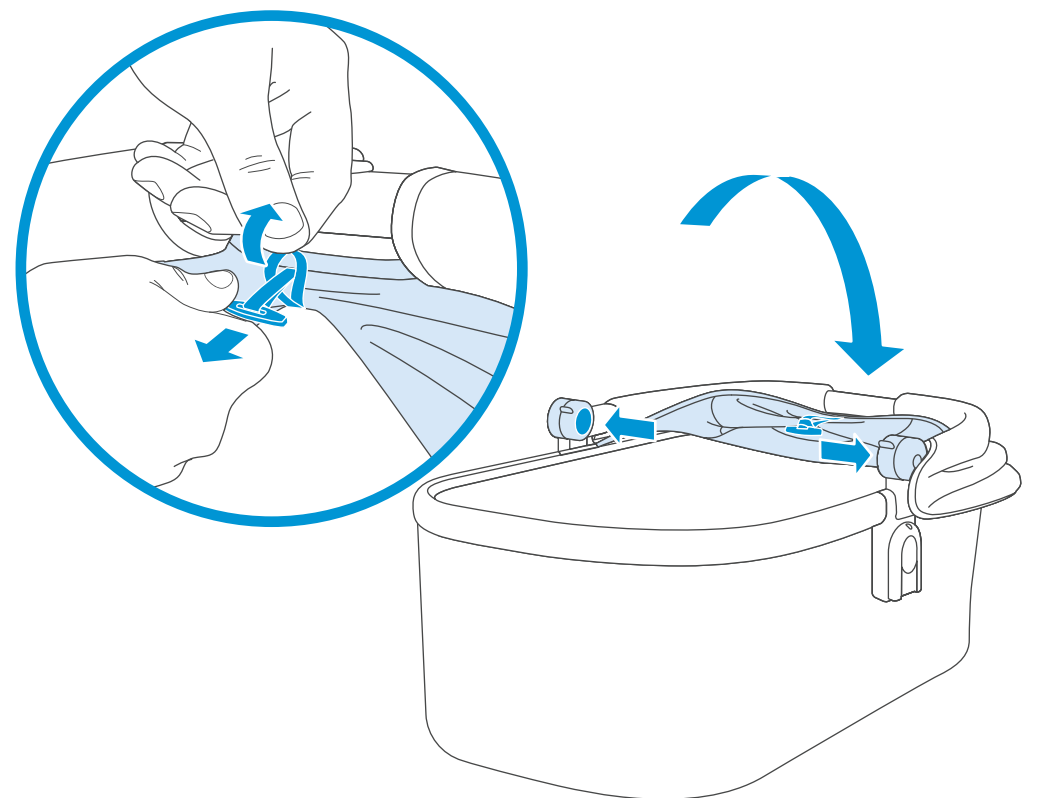
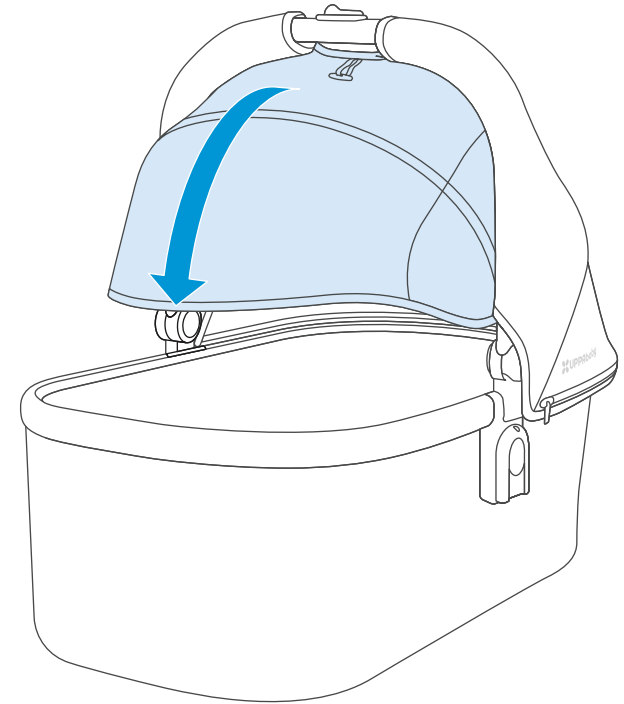
## PRODUCT OVERVIEW



## BASSINET ASSEMBLY

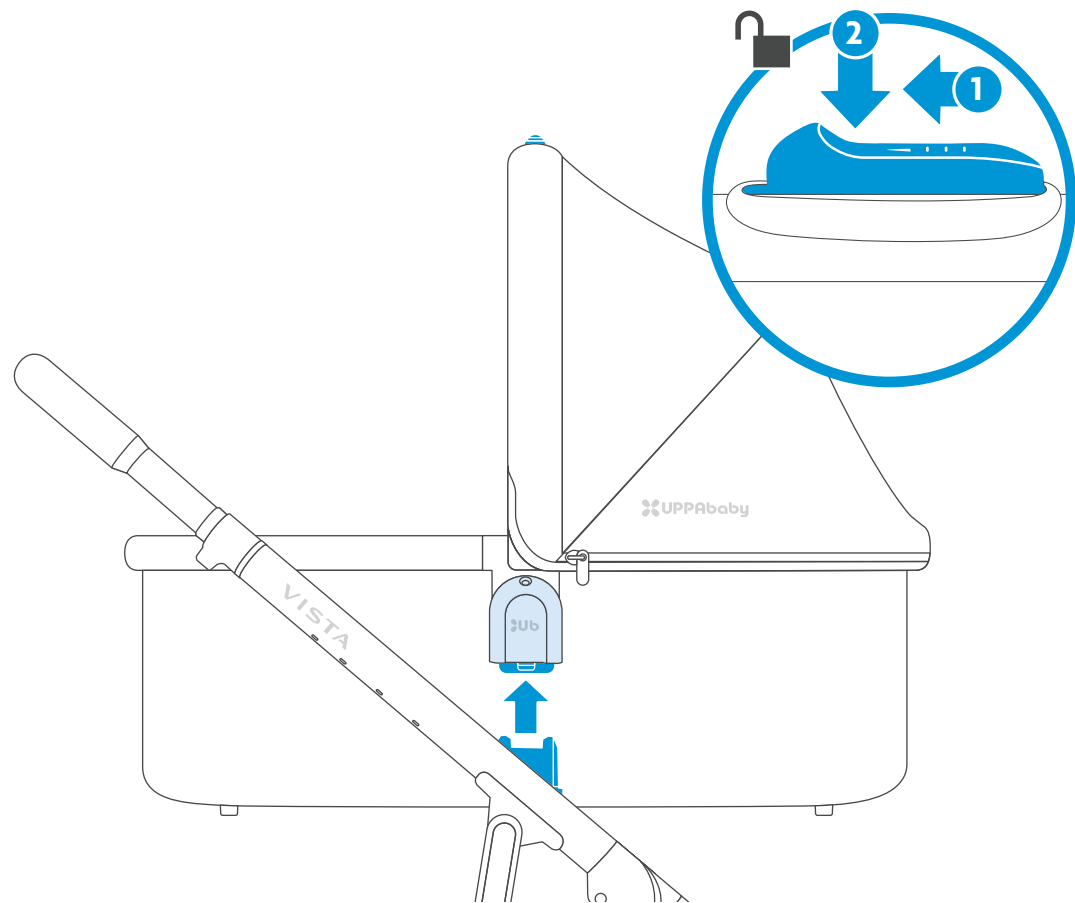
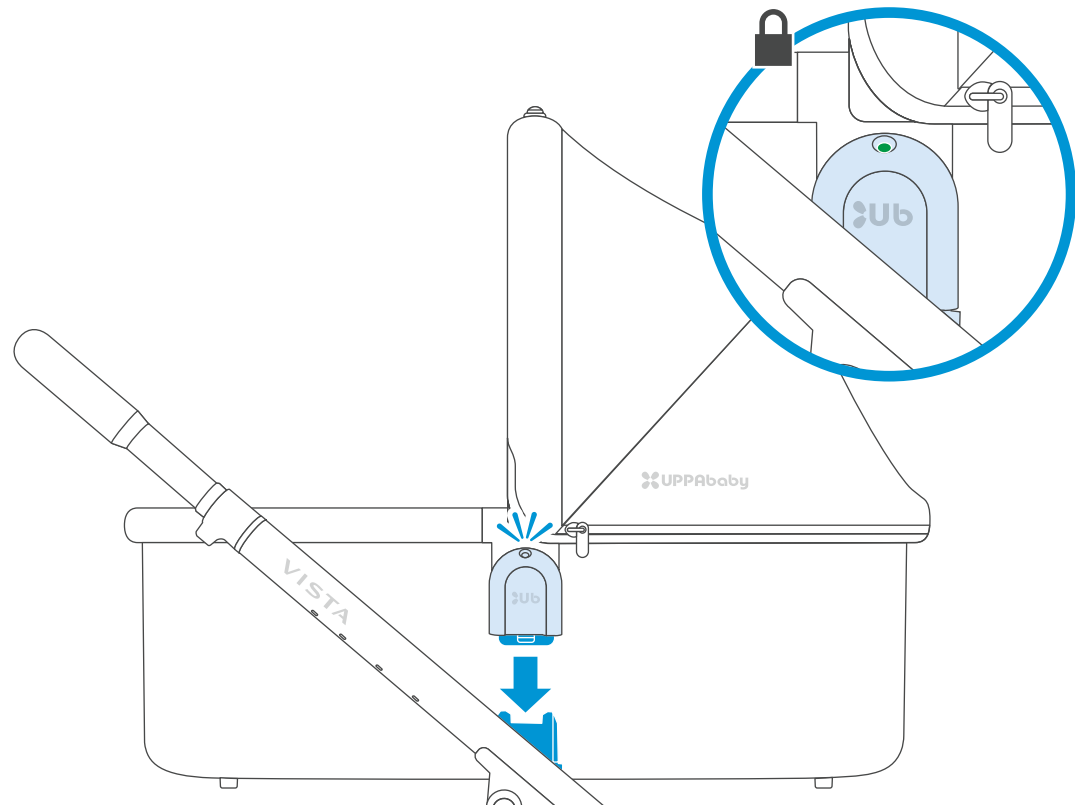


## BASSINET CANOPY UB/UV SUNSHADE

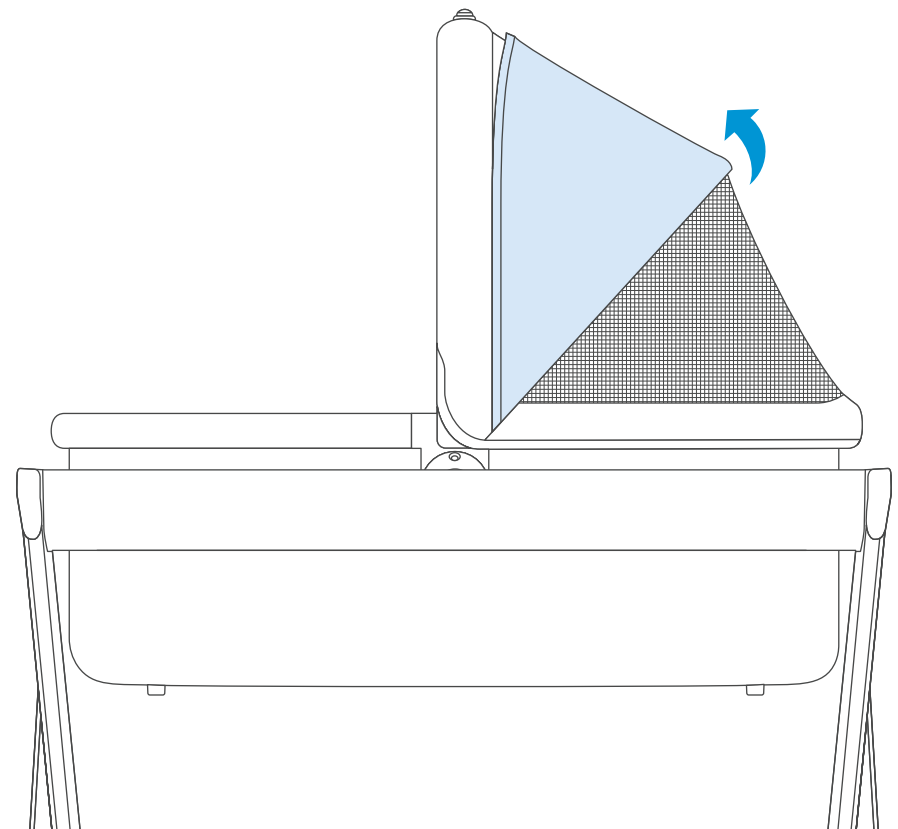
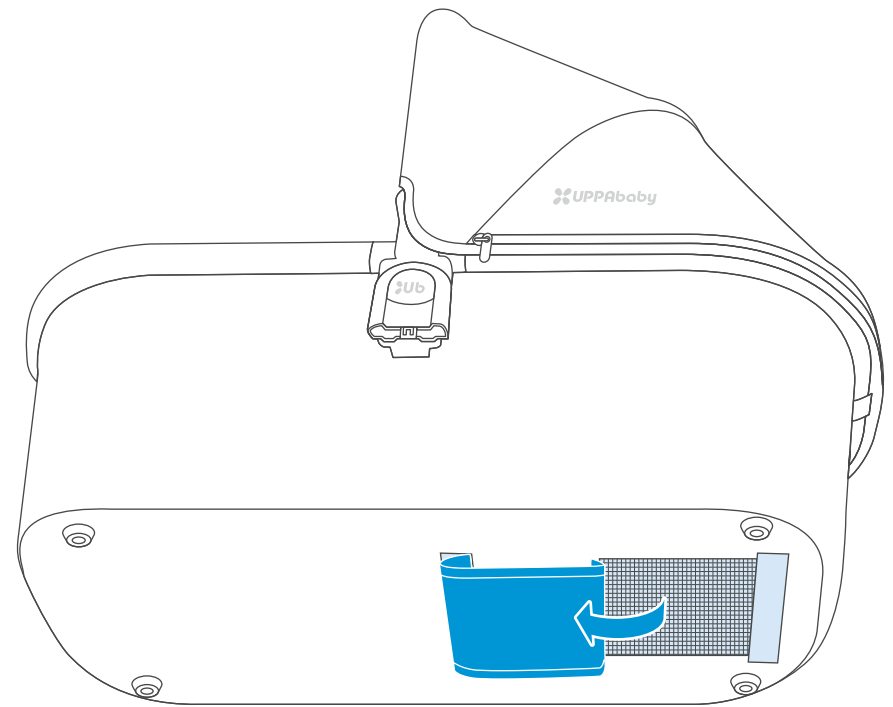




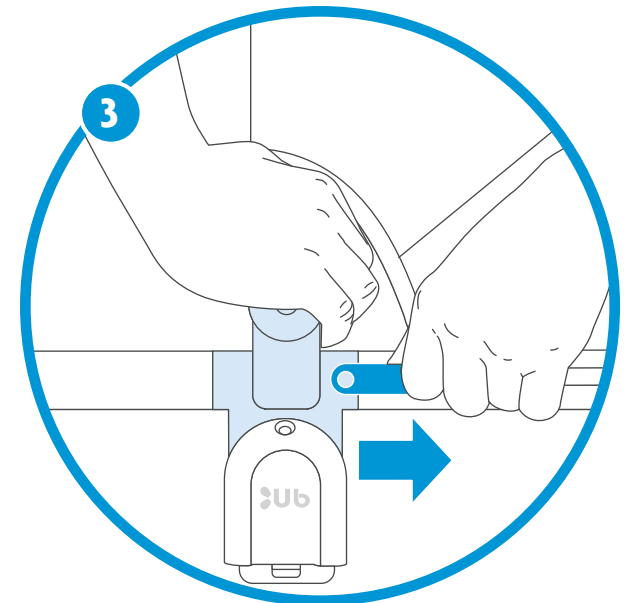
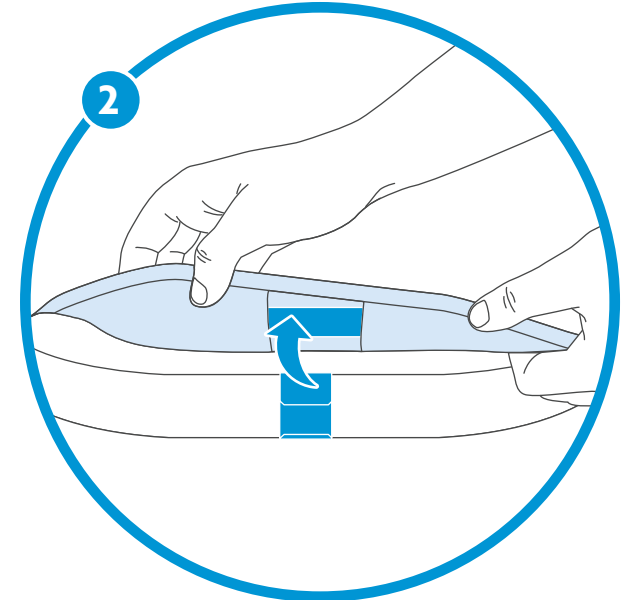
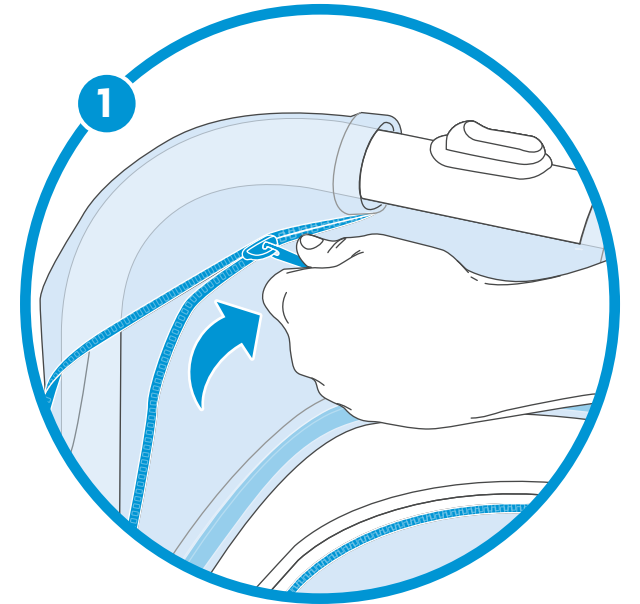
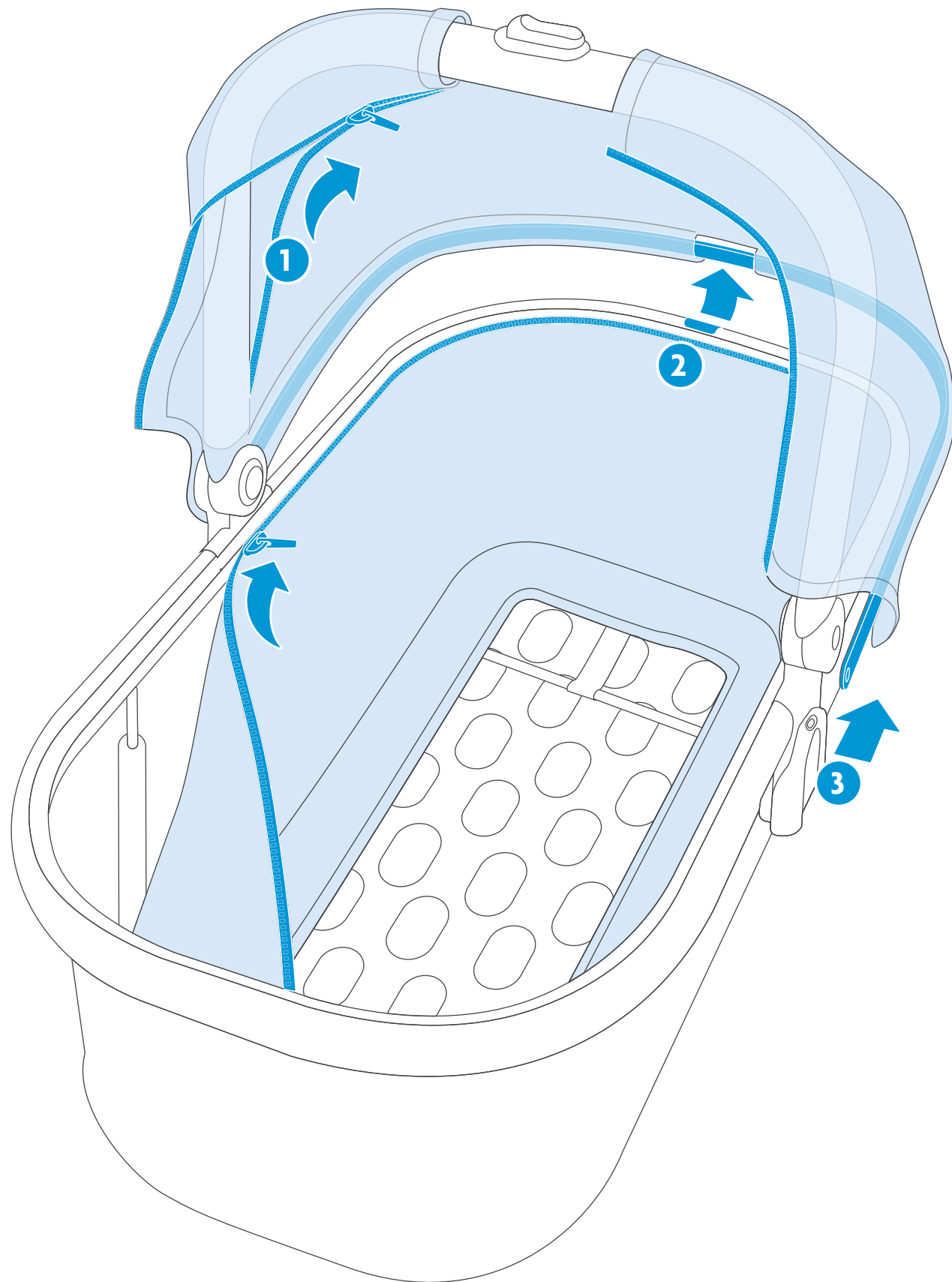
## ATTACH/REMOVE BASSINET FROM PRAM/STROLLER



## BASSINET VENTILATION



# REMOVING BASSINET FABRIC



## LIMITED WARRANTY



UPPAbaby offers an EXTENDED 1 YEAR WARRANTY (for a total of 3 years) on all strollers, car seats and select accessories (Carrycot, RumbleSeat, and PiggyBack).

**Register your product at: [uppababy.com](http://uppababy.com)**

To receive the additional 1 year warranty, customers must register their product online at [uppababy.com](http://uppababy.com) within 3 months of purchase and provide a valid proof of purchase. Extended warranty applies only to 2015 and later product models.

Your UPPAbaby stroller is warranted to be free from any manufacturing defects for a period of 2 years from the date of purchase under normal use and in compliance with the operating instructions.

This warranty is not transferable and extends only to the original retail purchaser and is only valid when supplied with proof of purchase. **PLEASE RETAIN PROOF OF PURCHASE FOR THIS LIMITED WARRANTY.**

The warranty is valid only in the original country of purchase. This warranty is subject to the conditions set forth by country in which the items were purchased. Conditions may vary. UPPAbaby will not ship replacement or repair parts out of the country of purchase.

UPPAbaby will provide replacement parts or conduct repairs as determined fitting by the company. UPPAbaby reserves the right to exchange item with a replacement part. Some parts may be replaced with newer model parts as the stroller is improved over time.

Please note that a repair issue will NOT be covered by this warranty if:

- The issue is caused by misuse or poor maintenance. Please refer to this instruction booklet for guidance on stroller use and maintenance.
- Damage is caused by improper installation of UPPAbaby parts and/or accessories. Please refer to this instruction booklet for guidance on stroller assembly and use.
- Damage is corrosion, mold or rust caused by lack of maintenance or service.
- Damage is due to general wear and tear, which is the result of everyday use or negligence.
- Damage is caused by sun intensity, sweat, detergents, damp storage or frequent washings.
- Repairs or modifications are carried out by a third party.
- Stroller is purchased from an unauthorized retailer. Approved retailers are listed on our website at [uppababy.com](http://uppababy.com).
- Stroller is second-hand.
- Stroller is damaged as a result of an accident, airline or freight damage.

UPPAbaby reserves the right to determine if warranty terms and conditions have been met.

Please contact your local distributor if you have any questions regarding warranty.