

# UPPAbaby® RumbleSeat™



UPPAbaby®

USA

UPPAbaby, 276 Weymouth Street, Rockland, MA 02370 | [uppababy.com](http://uppababy.com) | 1.844.823.3132  
Model 0918-RBS-AU | Version 4

All rights reserved. © 2017 UPPAbaby. UPPAbaby and all associated logos are trademarks. All product specifications are correct at time of print. UPPAbaby reserves the right to change anything at any time without prior notice. Color representation is as close as print processes allow. Not all colors available at all retailers. 102517

Compatible with: **VISTA**. 2015+

## TABLE OF CONTENTS

Warnings + General Safety Information	1
Cleaning + General Maintenance	3
Product Overview	4
Attaching Adapters to VISTA Frame	5
Front/Rear Facing Seat Operation	6
Attaching/Removing Bumper Bar	7
Reclining Seat	8
Removing Canopy from Seat	9
Adjusting Canopy Height	9
Adjusting Shoulder Harness Height	10
Buckle Operation	10
Adjusting Harness	11
Removing Seat Fabric	12
Removing Canopy Fabric	14
Limited Warranty	16

## WARNINGS + GENERAL SAFETY INFORMATION

KEEP THESE INSTRUCTIONS FOR FUTURE REFERENCE

*Please read this manual carefully before using this stroller. Failure to follow instructions properly may result in serious injury to your child.*

### **⚠ WARNING**

#### **TO AVOID INJURY OR DEATH:**

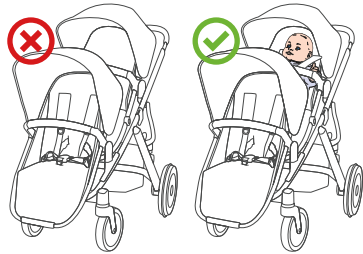
**ALWAYS APPLY THE BRAKES WHENEVER THE PRAM/STROLLER IS STATIONARY.**

- **DO NOT LEAVE CHILDREN UNATTENDED.**
- **SECURE THE CHILD IN THE HARNESS AT ALL TIMES.**
- **DO NOT CARRY EXTRA CHILDREN OR BAGS ON THIS PRAM/STROLLER.**
- **MAKE SURE CHILDREN ARE CLEAR OF ANY MOVING PARTS IF YOU ADJUST THE PRAM/STROLLER.**

- This seat is not suitable for children under 6 months.
- This seat is suitable for children from 6 months until child is 15.9 kg (35 lbs) or 91.4 cm (36 in), whichever comes first.
- Ensure that all the locking devices are engaged before use.
- Always use the crotch strap in combination with the waist belt and shoulder belts.
- Unit may become unstable if the manufacturer's recommended load is exceeded, or if a parcel bag, accessory, or rack other than that recommended by the manufacturer is used or hung from the unit.
- It is unsafe to use accessories other than those approved by UPPAbaby.
- Use only replacement parts supplied or approved by UPPAbaby.
- The pram/stroller should not be used near an open fire or exposed flame.
- Children and adults should be clear of moving parts while making stroller adjustments. Damage to fingers or extremities may occur when opening or closing the frame.
- The canopy for the seat is not intended to retain the child.

## WARNINGS + GENERAL SAFETY INFORMATION

**NOTE:** Intended for use with the UPPAbaby VISTA stroller only. Throughout this document the secondary seat is referred to as the RumbleSeat and the primary seat, which is included with the VISTA, is the main seat.



### **⚠ WARNING**

#### **IMPORTANT! LOAD PRIMARY CHILD INTO THE MAIN SEAT FIRST.**

- AFTER CHILD IS SECURED IN THE MAIN SEAT, PLACE SECOND CHILD INTO THE RUMBLESEAT.
- **DO NOT** place child in the RumbleSeat without a child in the main seat.

- **DO NOT** allow child to stand while in the RumbleSeat.
- This seat shall be used with only one child at a time.
- The brake must be locked on the stroller while taking the child in or out of the RumbleSeat, and when parked.
- Bumper bar must be attached at all times.
- **DO NOT** lift the stroller by bumper bar as it may disengage.
- **DO NOT** lean or press on the RumbleSeat with excessive force.
- Always push the stroller with both hands when using the RumbleSeat.
- **NEVER** leave child in the stroller while ascending or descending stairs, or using an escalator.
- **DO NOT** make any alterations or modifications to the RumbleSeat with products not supplied by the manufacturer as this may cause instability or structural damage not covered under warranty.
- Before each use, inspect your RumbleSeat to make sure the brackets are fully engaged by pushing down on the top of the RumbleSeat firmly. It should not move.
- Stroller can fold with adapters attached, however, the RumbleSeat must be removed and the main seat must be facing forward and in an upright position.

Manufactured to comply with AS/NZS 2088:2013.

## CLEANING + GENERAL MAINTENANCE

### CLEANING:

- Clean frame with a damp cloth and a mild detergent; dry thoroughly. **DO NOT** use abrasives.
- If the frame parts have been exposed to salt water we recommend that they be rinsed with fresh (tap) water as soon as possible to avoid corrosion. Always dry frame if wet.
- All fabrics are removable.
- To extend the life of your product's fabric, keep it clean and do not leave it in direct sunlight for long periods of time.
- **DO NOT** fold or store the product if it is damp or wet, nor store in a damp environment.

### MAINTENANCE AND REPAIR:

- This product requires user inspection and maintenance regularly. Check all connecting hardware (rivets, screws, etc.) for tightness and security. Inspect all brakes, tires, seat harnesses and locks for correct operation. Seek prompt repairs or replacements as needed and never continue using the product if it is structurally not safe.
- Only UPPAbaby replacement parts should be used. It may be unsafe to use parts supplied by another manufacturer.
- Contact Customer Service with any repair questions.

### CLEANING SEAT AND CANOPY FABRICS



Spot clean or hand wash in cold water with mild detergent. **DO NOT** bleach.



Dry flat and away from direct sunlight before re-use or storage.



**DO NOT** iron or dry clean.

### CLEANING FABRIC BUMPER BAR COVER



Machine wash cold gentle cycle with mild detergent. **DO NOT** bleach.



Dry flat and away from direct sunlight before re-use or storage.



**DO NOT** iron or dry clean.

### CLEANING LEATHER BUMPER BAR COVER

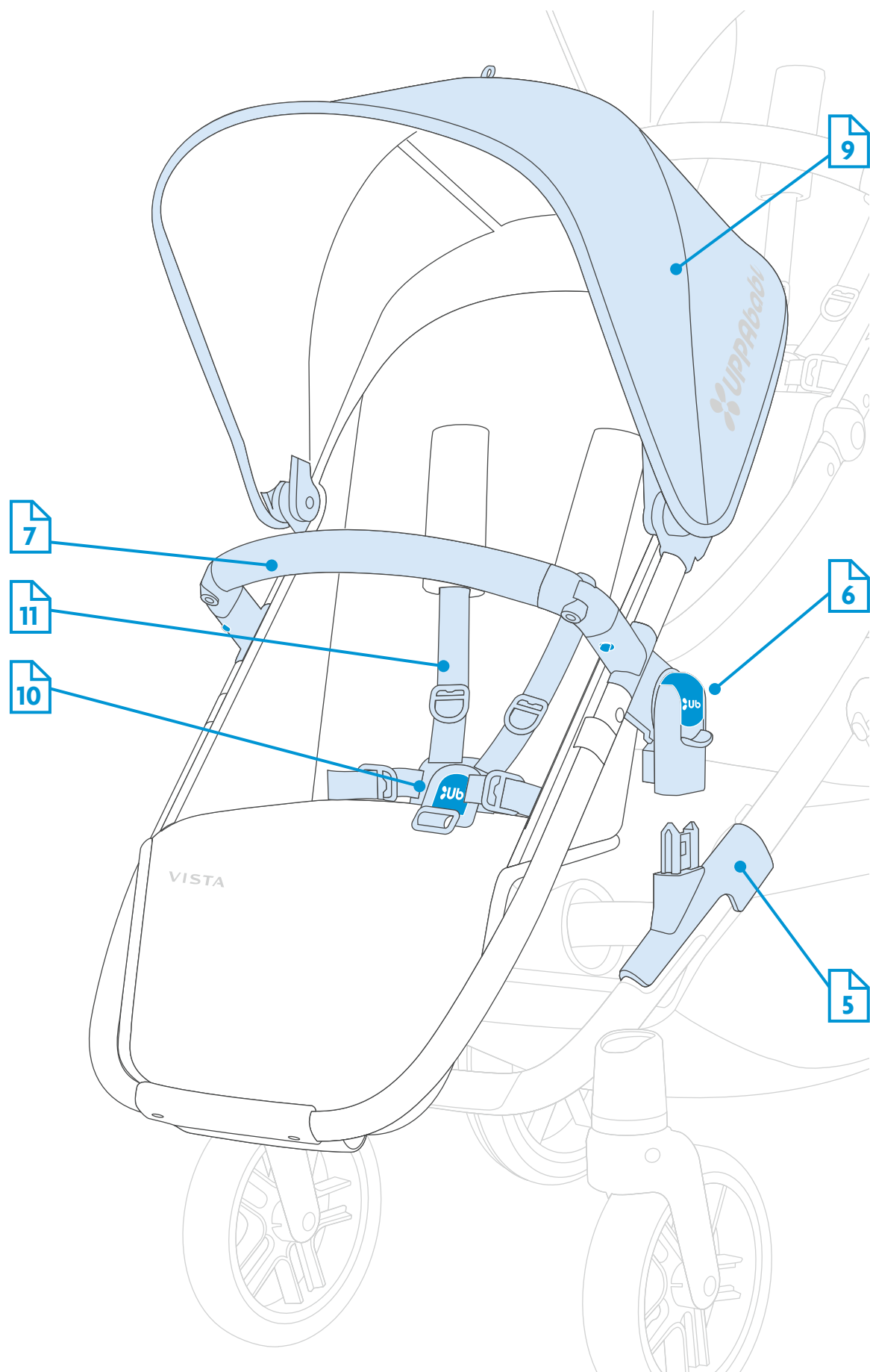


Spot clean with a damp cloth. **DO NOT** wet excessively. **DO NOT** bleach.

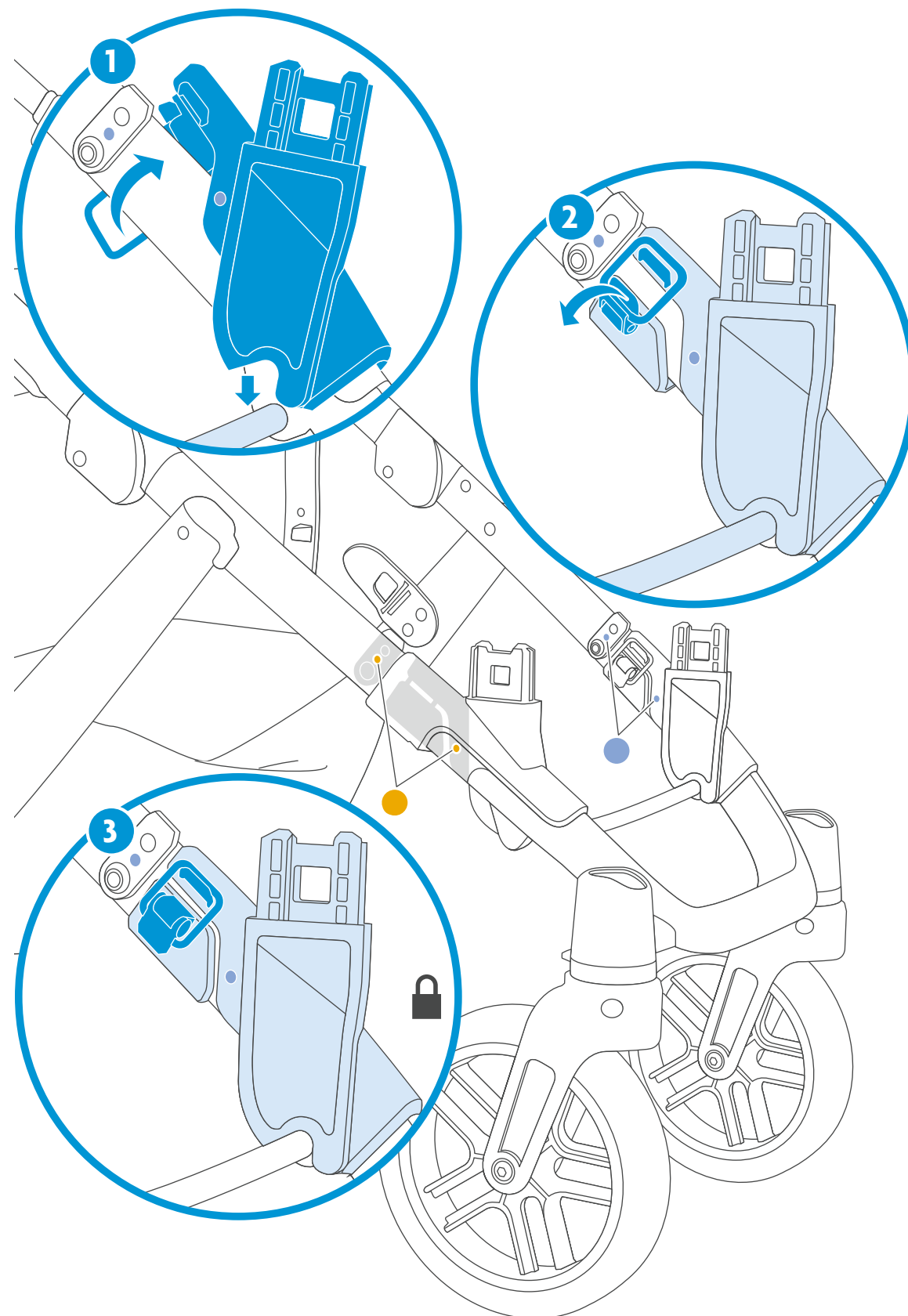


**DO NOT** iron or dry clean.

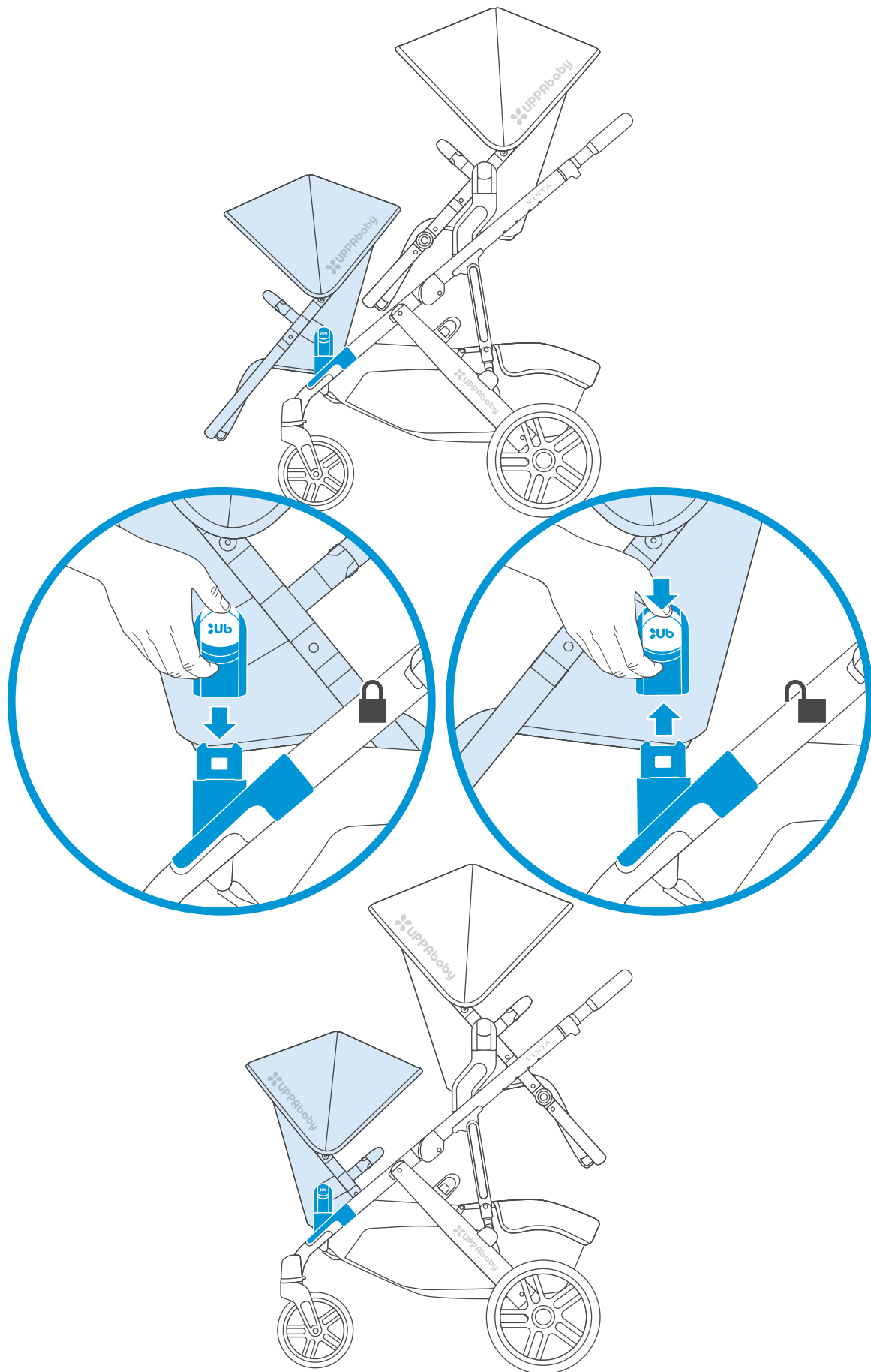
## PRODUCT OVERVIEW



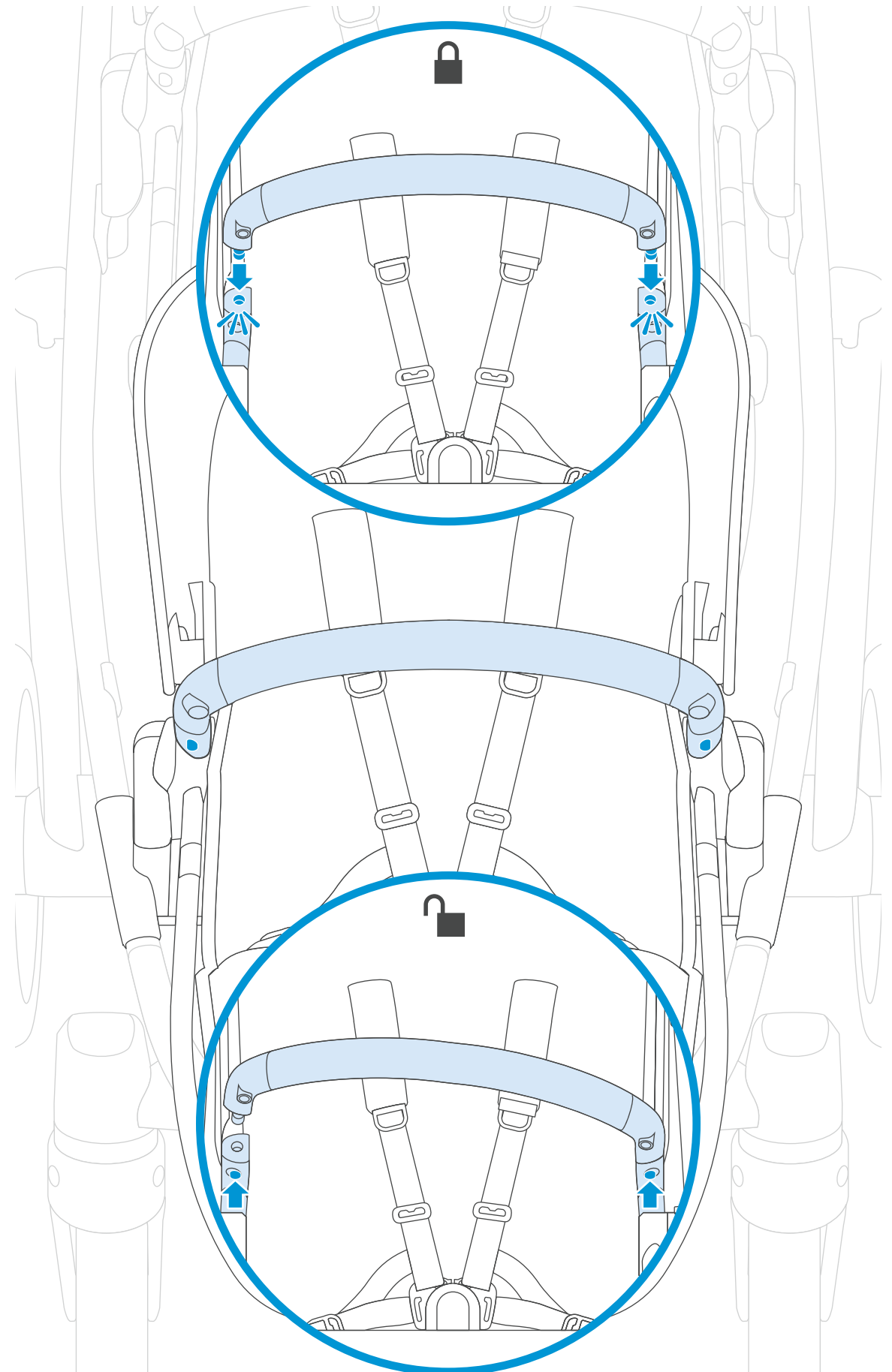
## ATTACHING ADAPTERS TO VISTA FRAME



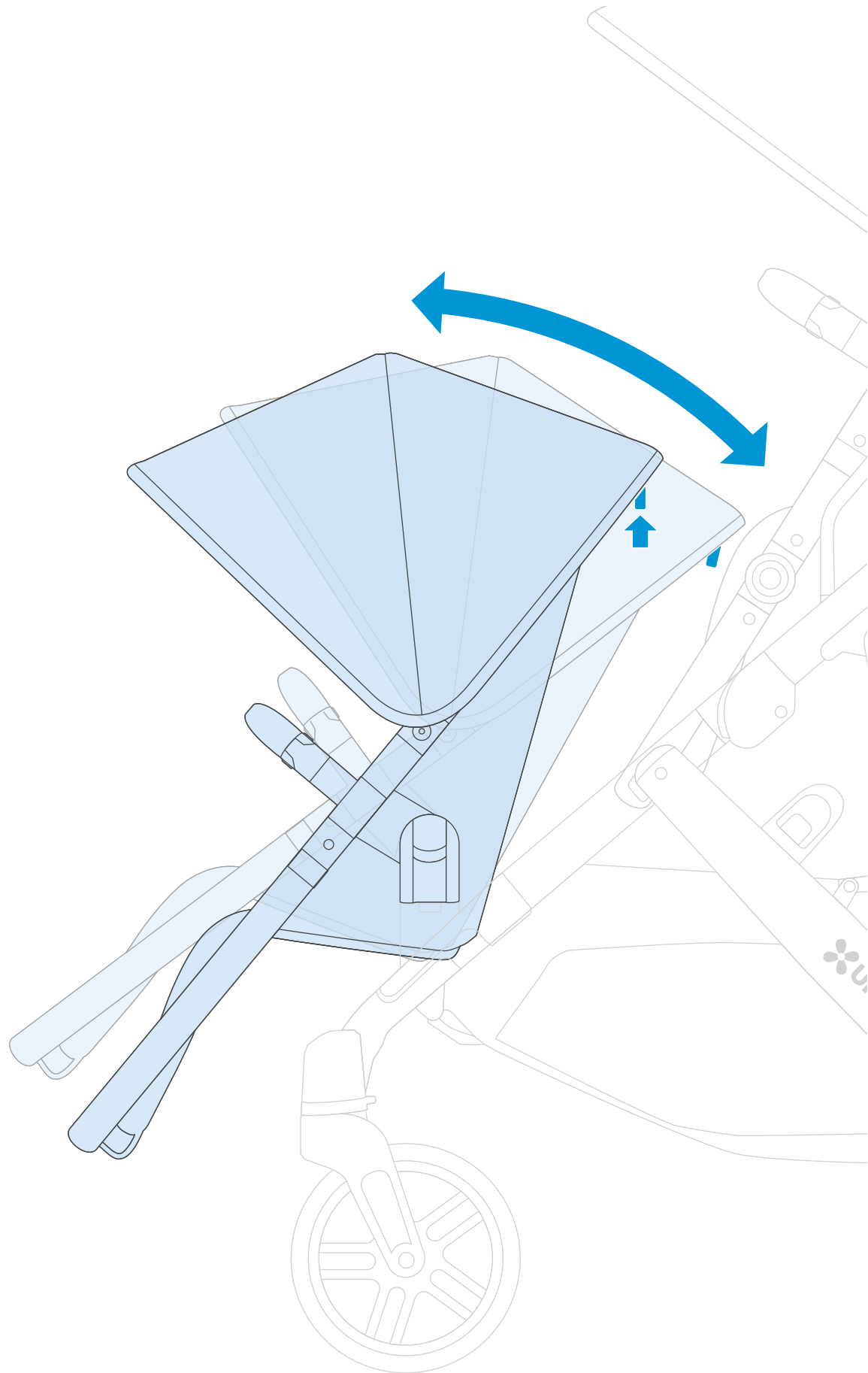
## FRONT/REAR FACING SEAT OPERATION



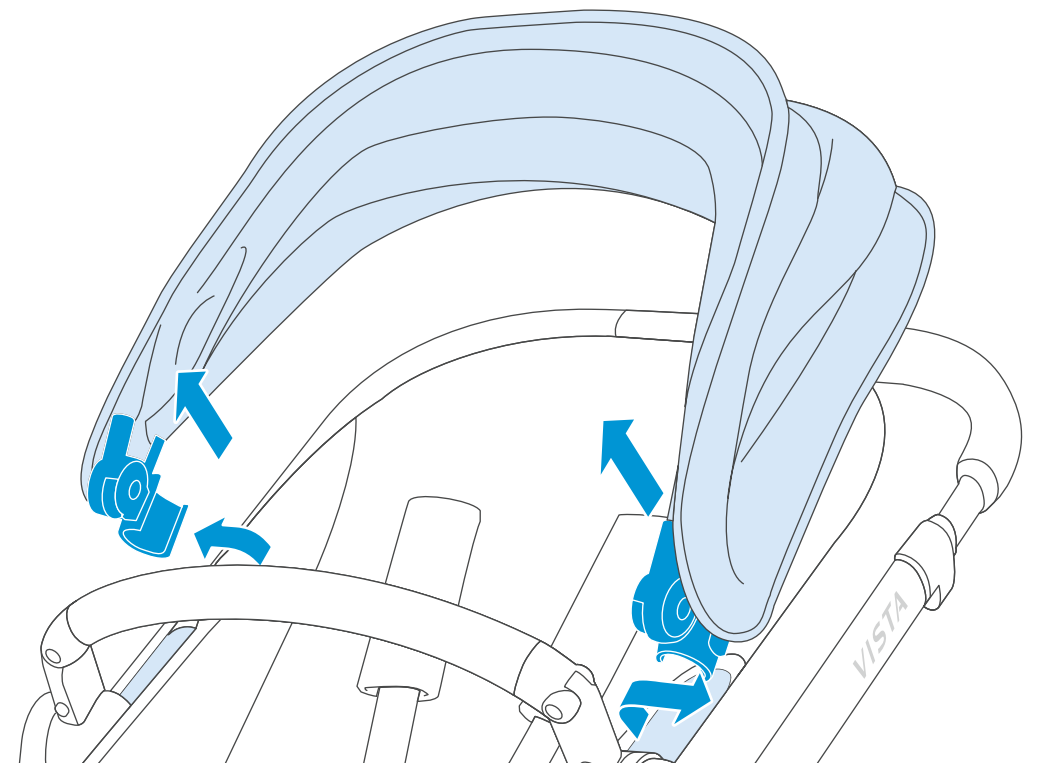
## ATTACHING/REMOVING BUMPER BAR



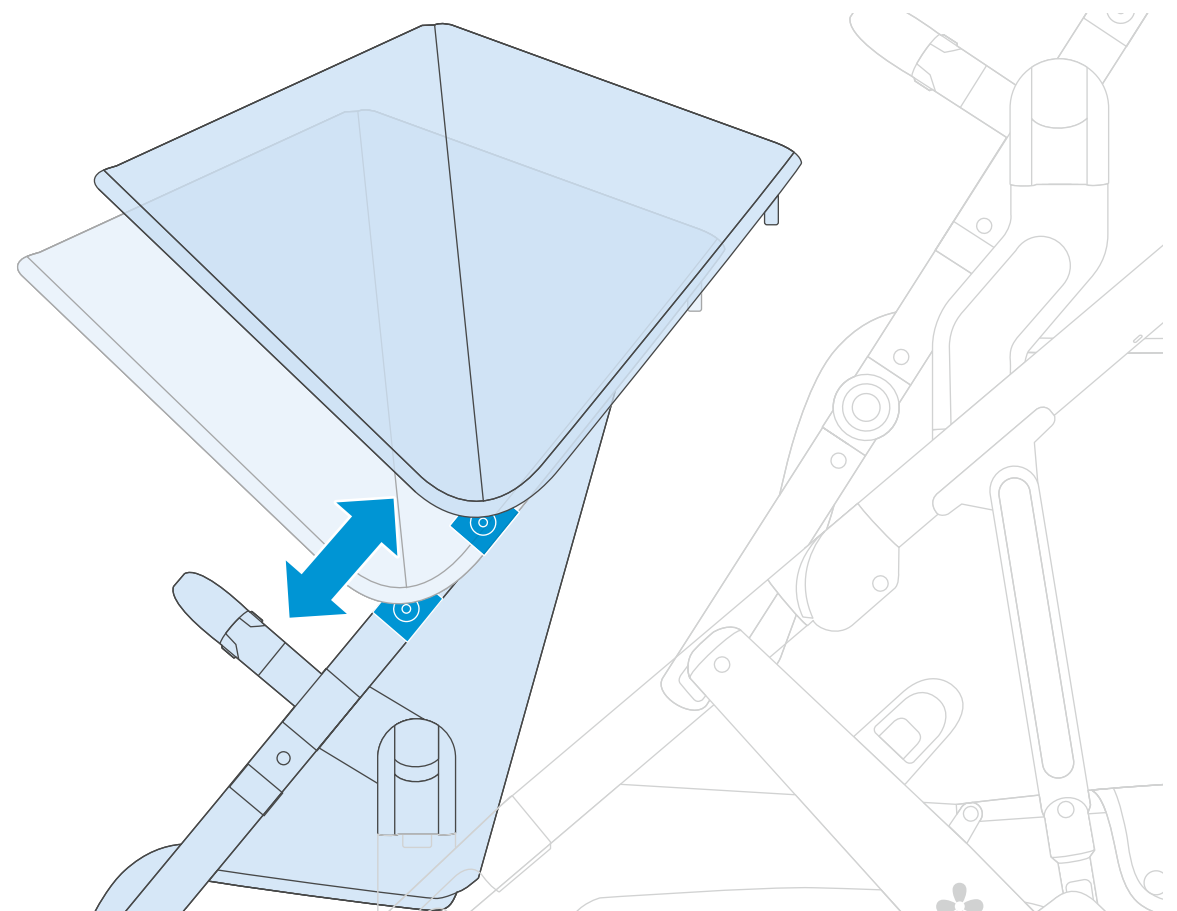
**RECLINING SEAT**



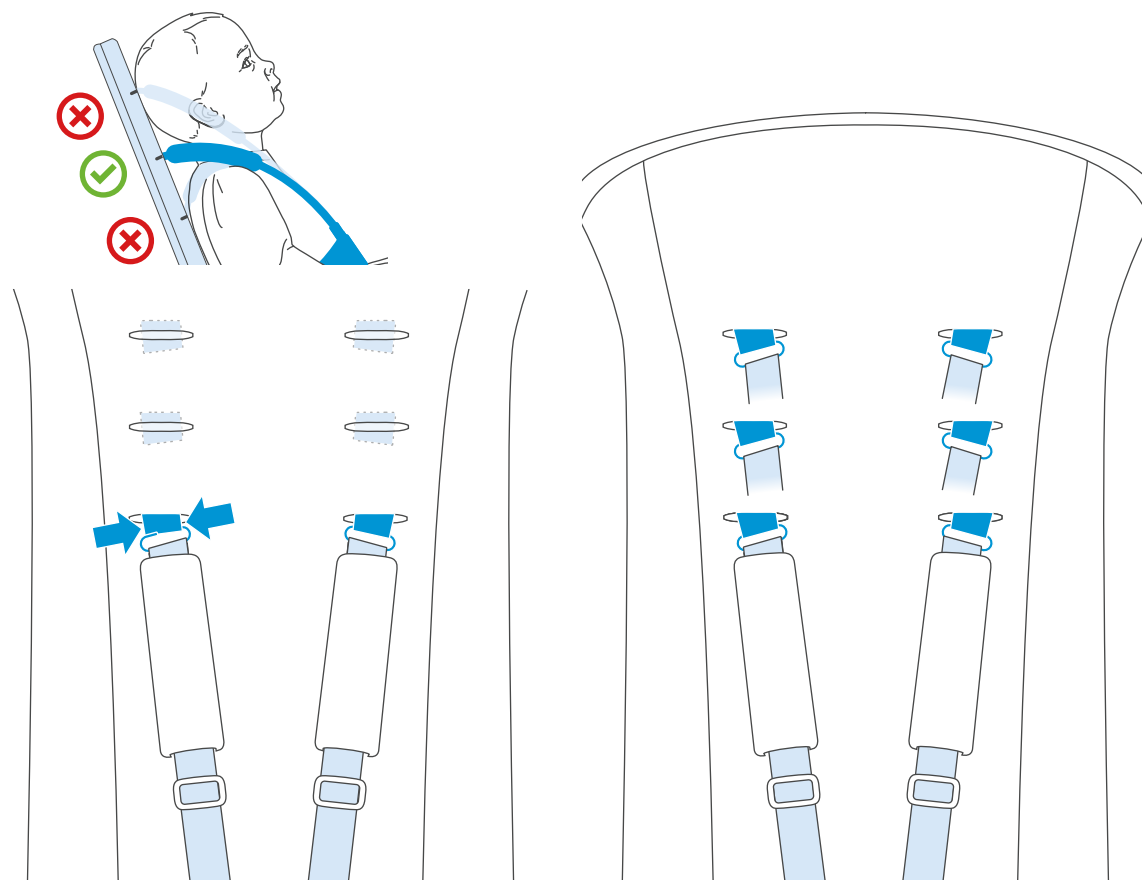
**REMOVING CANOPY FROM SEAT**



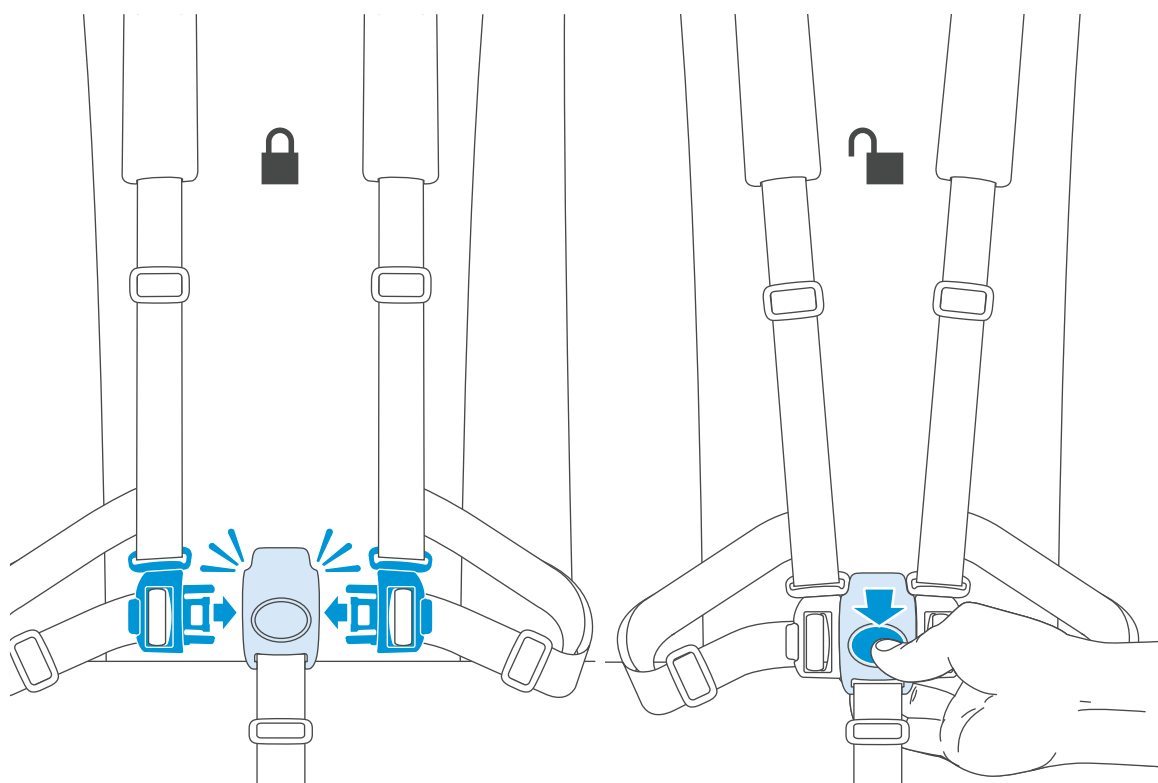
**ADJUSTING CANOPY HEIGHT**



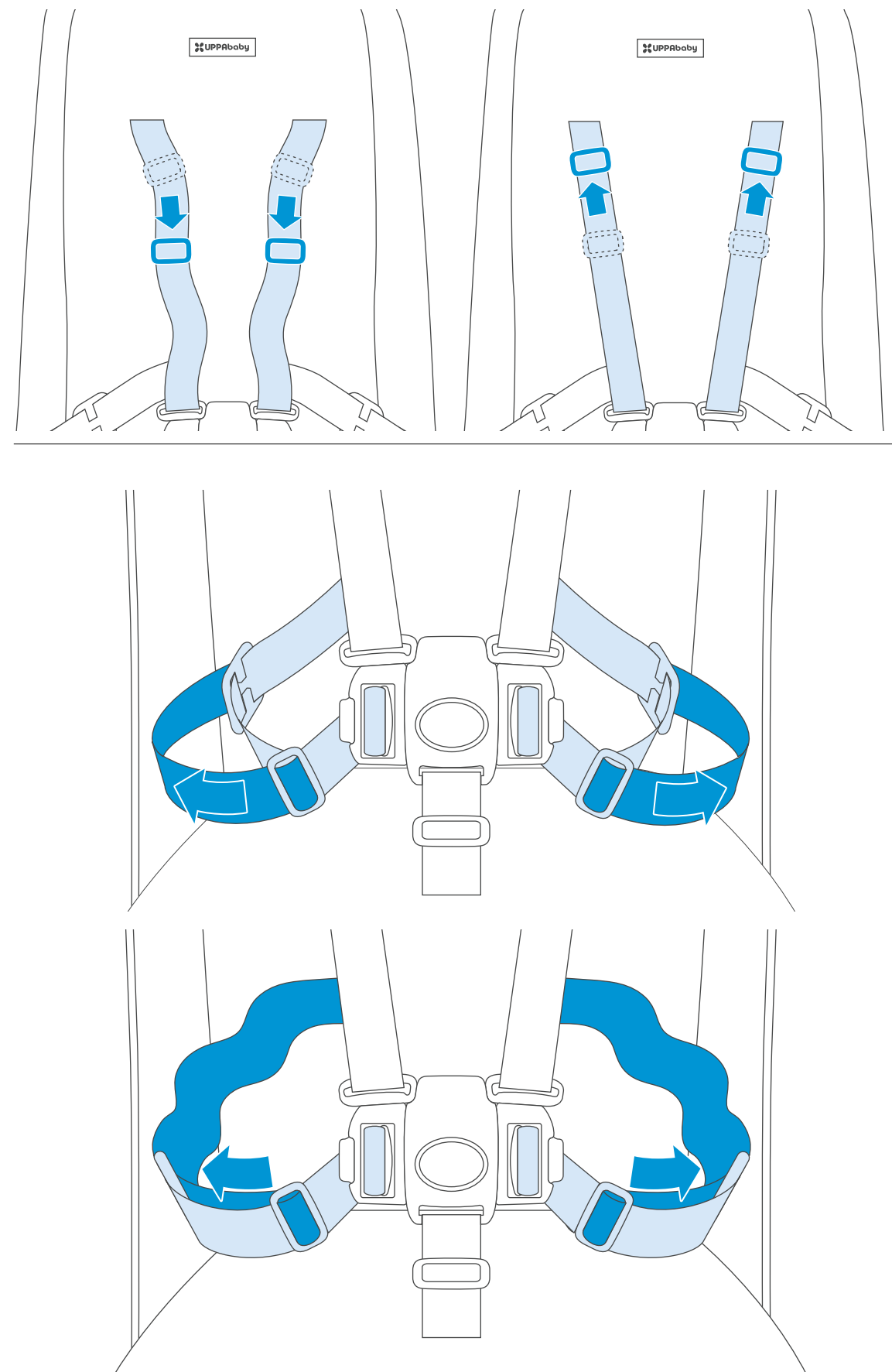
### ADJUSTING SHOULDER HARNESS HEIGHT



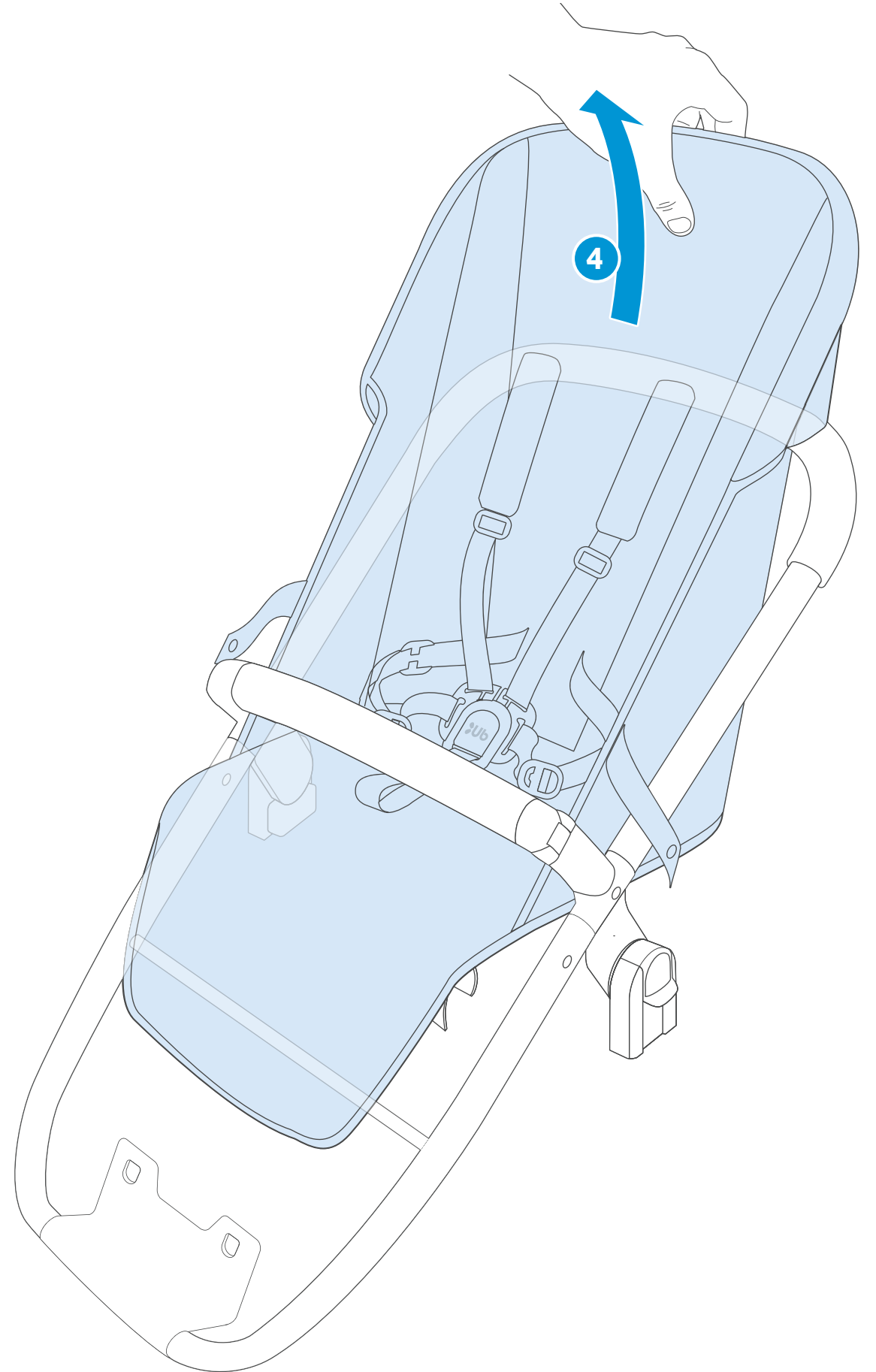
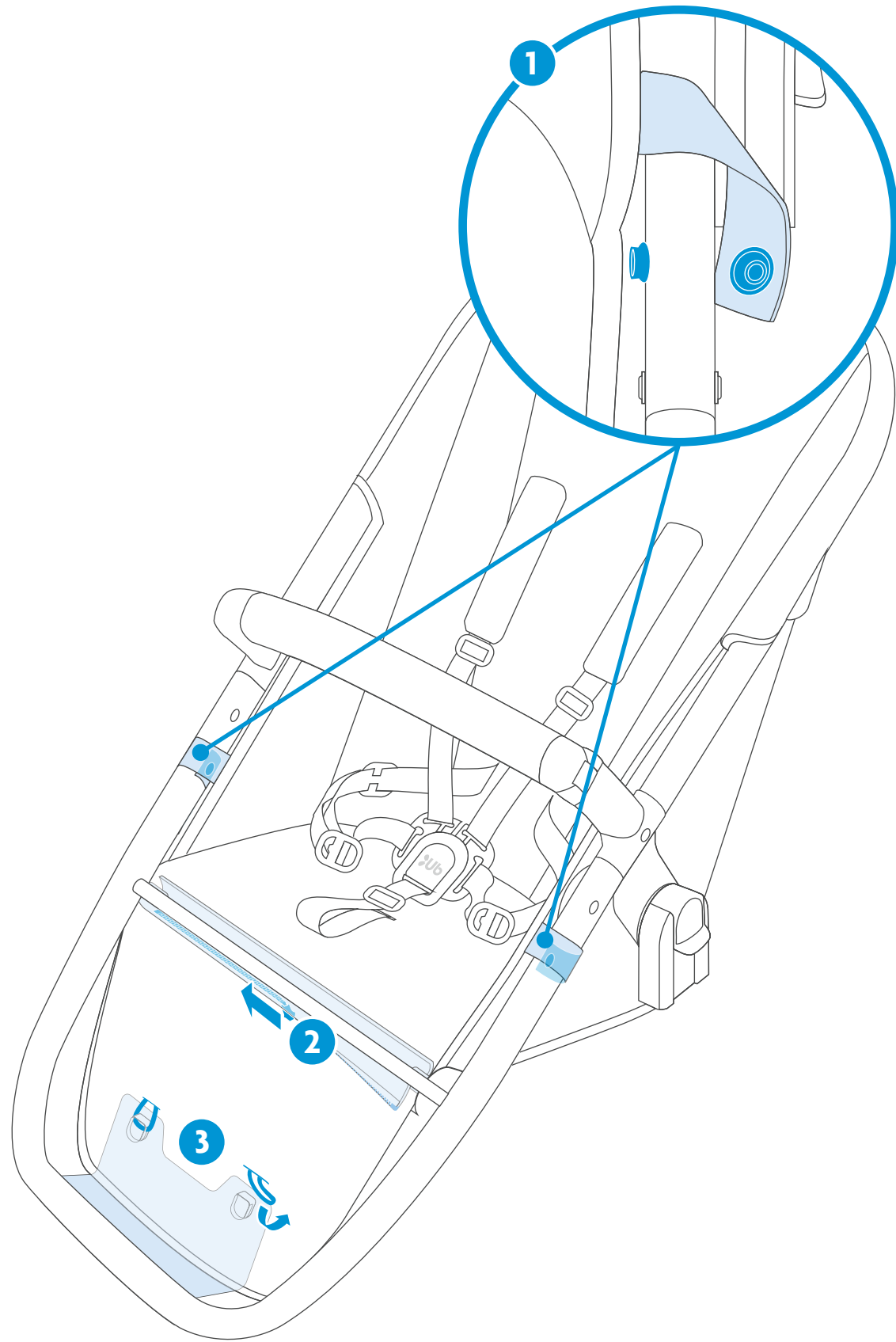
### BUCKLE OPERATION



### ADJUSTING HARNESS

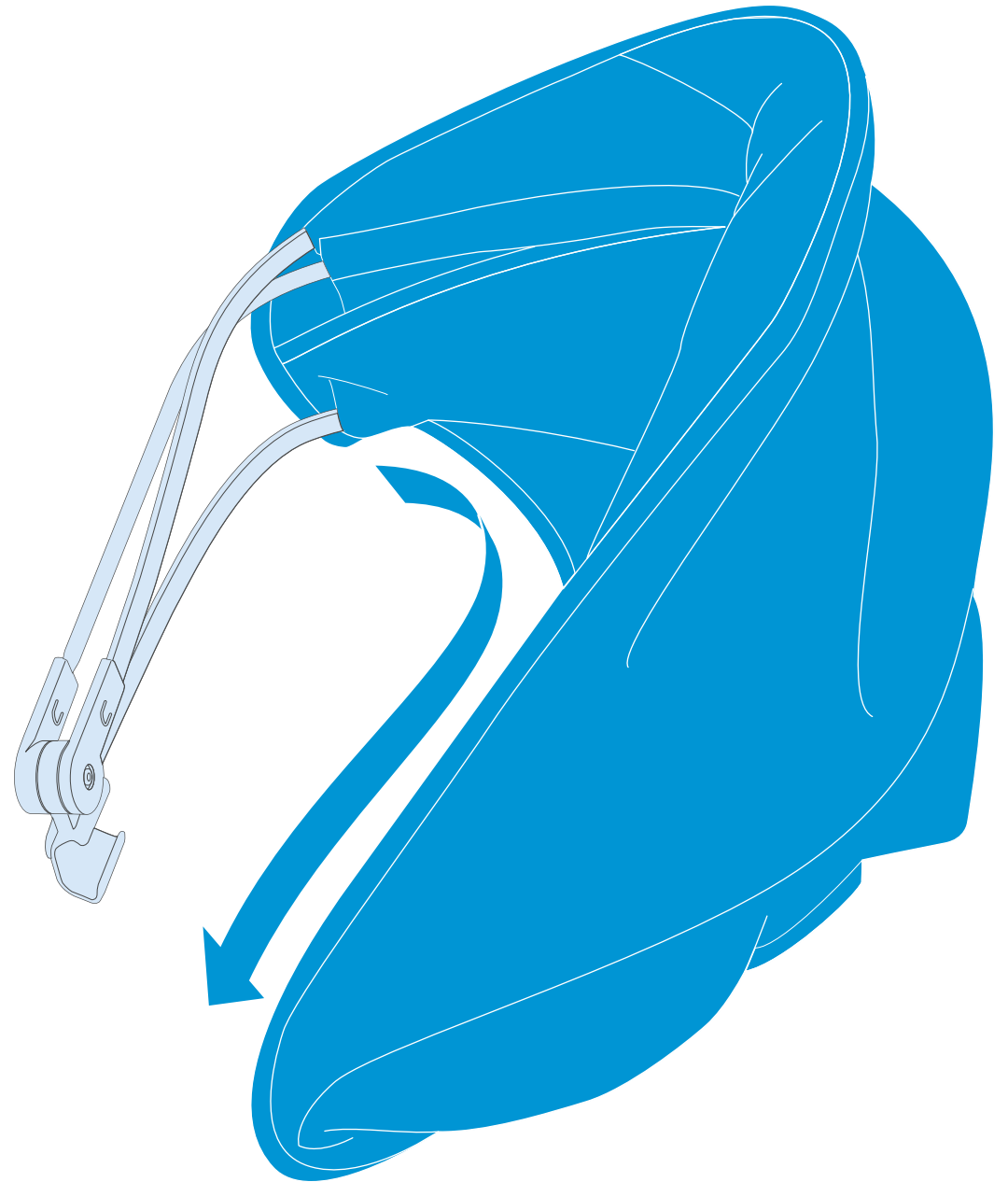
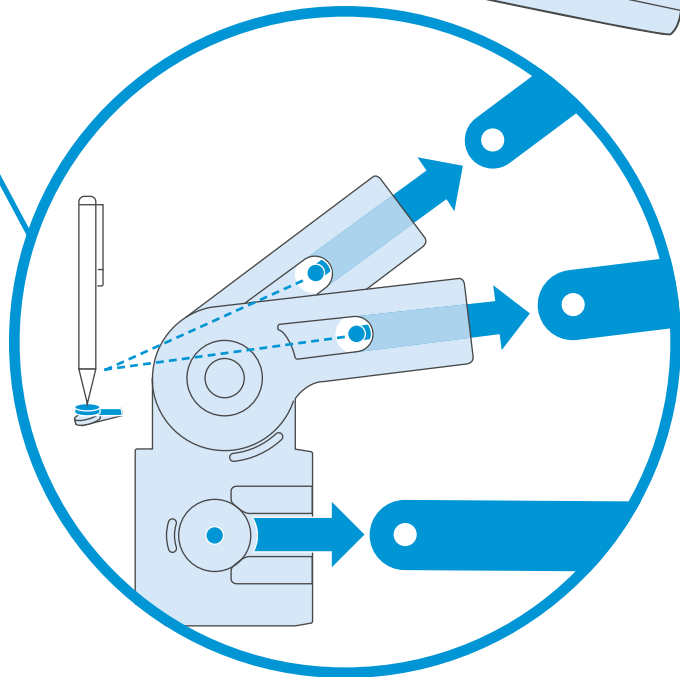
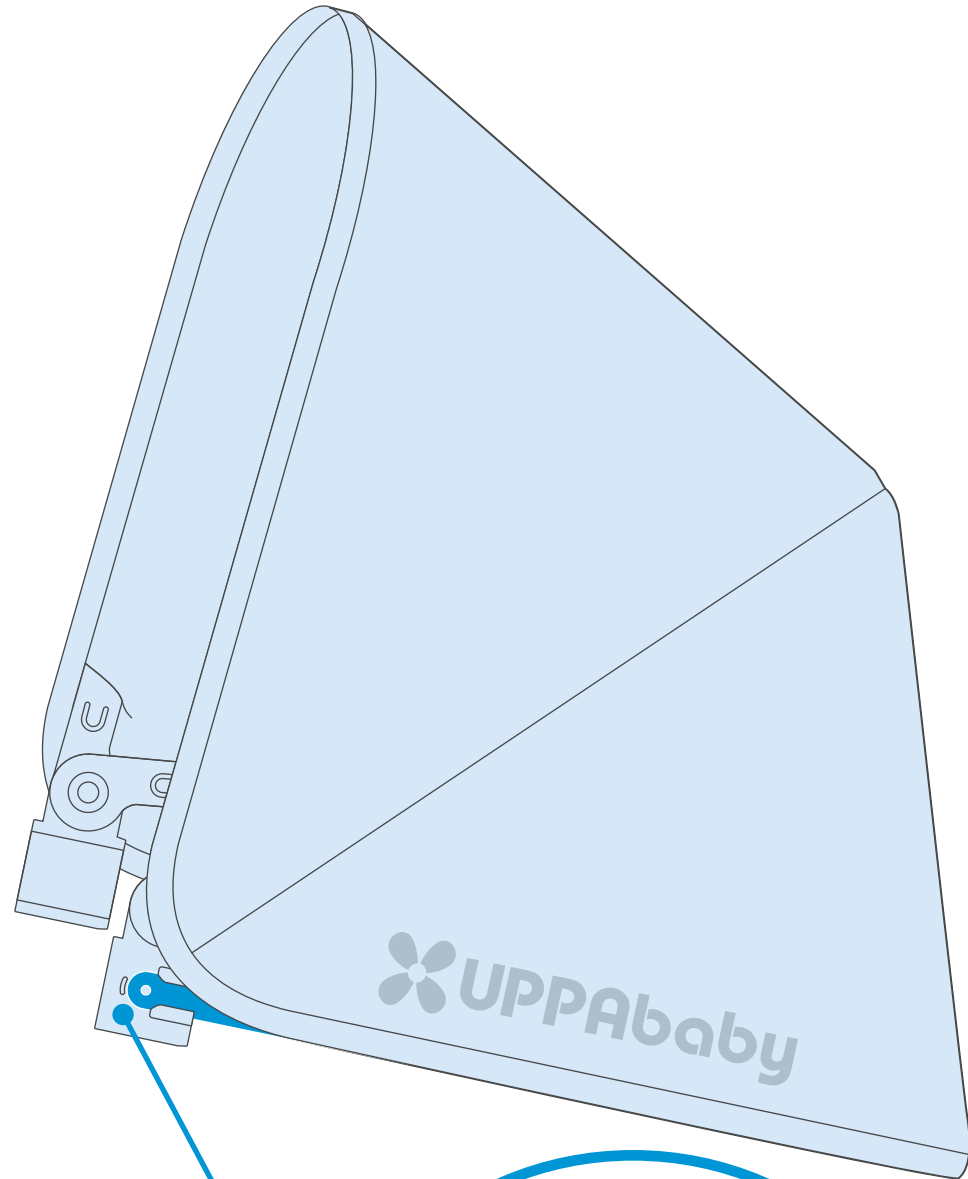


## REMOVING SEAT FABRIC





REMOVING CANOPY FABRIC



## LIMITED WARRANTY



UPPAbaby offers an EXTENDED 1 YEAR WARRANTY (for a total of 3 years) on all strollers, car seats and select accessories (Carrycot, RumbleSeat, and PiggyBack).

**Register your product at: [uppababy.com](http://uppababy.com)**

To receive the additional 1 year warranty, customers must register their product online at [uppababy.com](http://uppababy.com) within 3 months of purchase and provide a valid proof of purchase. Extended warranty applies only to 2015 and later product models.

Your UPPAbaby stroller is warranted to be free from any manufacturing defects for a period of 2 years from the date of purchase under normal use and in compliance with the operating instructions.

This warranty is not transferable and extends only to the original retail purchaser and is only valid when supplied with proof of purchase. **PLEASE RETAIN PROOF OF PURCHASE FOR THIS LIMITED WARRANTY.**

The warranty is valid only in the original country of purchase. This warranty is subject to the conditions set forth by country in which the items were purchased. Conditions may vary. UPPAbaby will not ship replacement or repair parts out of the country of purchase.

UPPAbaby will provide replacement parts or conduct repairs as determined fitting by the company. UPPAbaby reserves the right to exchange item with a replacement part. Some parts may be replaced with newer model parts as the stroller is improved over time.

Please note that a repair issue will NOT be covered by this warranty if:

- The issue is caused by misuse or poor maintenance. Please refer to this instruction booklet for guidance on stroller use and maintenance.
- Damage is caused by improper installation of UPPAbaby parts and/or accessories. Please refer to this instruction booklet for guidance on stroller assembly and use.
- Damage is corrosion, mold or rust caused by lack of maintenance or service.
- Damage is due to general wear and tear, which is the result of everyday use or negligence.
- Damage is caused by sun intensity, sweat, detergents, damp storage or frequent washings.
- Repairs or modifications are carried out by a third party.
- Stroller is purchased from an unauthorized retailer. Approved retailers are listed on our website at [uppababy.com](http://uppababy.com).
- Stroller is second-hand.
- Stroller is damaged as a result of an accident, airline or freight damage.

UPPAbaby reserves the right to determine if warranty terms and conditions have been met.

Please contact your local distributor if you have any questions regarding warranty.