



睡篮 | Bassinet

V2



USA  
UPPAbaby, 276 Weymouth Street, Rockland, MA 02370 | [uppababy.com](http://uppababy.com) | 1.844.823.3132

China  
童真 (上海) 商贸有限公司 | 上海黄浦区复兴中路1号申能国际大厦404 | 邮编200021 | [uppababy.com](http://uppababy.com) | +86 21 5108 5375

Model | 型号: 0920-BAS-CN

All rights reserved. © 2019 UPPAbaby. UPPAbaby and all associated logos are trademarks. All product specifications are correct at time of print. UPPAbaby reserves the right to change anything at any time without prior notice. Color representation is as close as print processes allow. Not all colors available at all retailers. **UBMAN040-V02**

VISTA 2015+

VISTA V2

CRUZ

CRUZ V2

<b>CN</b>	警告+一般安全信息	3
	清洗+一般维护	5
	有限保修	6
	产品概览	11
	睡篮睡篮组装	12
	使用睡篮顶篷 UB/UV 遮阳篷	13
	安装/卸下睡篮到车架	14
	睡篮通风	15
卸下睡篮面料	16	
<b>EN</b>	Warnings + General Safety Information	7
	Cleaning + General Maintenance	9
	Limited Warranty	10
	Product Overview	11
	Bassinet Assembly	12
	Using Bassinet Canopy UB/UV Sunshade	13
	Attach/Remove Bassinet from Stroller	14
	Bassinet Ventilation	15
Removing Bassinet Fabric	16	

## 睡篮警语

**警告**

- 使用前请仔细阅读本说明书并且妥善保存供以后参照。不按照警语及使用说明操作推车可能导致严重伤害甚至死亡！
- 不能在机动车上使用睡篮。
- 使用睡篮时建议同时使用脚罩以增加婴儿安全性。
- 当不在推车或睡篮架上使用睡篮时，请将睡篮放置在水平，干燥和稳固的地面。
- 请勿将睡篮放置在床上，沙发或其它柔软表面。
- 请勿让无人看管的儿童在睡篮旁边玩耍。
- 请避免在睡篮附近使用明火或其它热源，如电加热器或煤气炉。
- 本睡篮设计用于 UPPAbaby VISTA 和 CRUZ，仅可用于车架和 UPPAbaby 睡篮站架。
- 睡篮破损时请停止使用。

**跌落危险**

- 为避免跌落，当婴儿开始借助双手或双膝爬起，或婴儿体重达到制造商建议最大重量9公斤（20磅）时请停止使用睡篮。以先到者为准
- 将婴儿放入睡篮前请务必确认睡篮已正确卡合在推车上。
- 婴儿的活动可能使睡篮发生移动。请勿将睡篮放置在柜台，桌面或其它任一较高位置。

- 本睡篮仅供一个孩子使用。
- 睡篮适用于0到6个月，体重不超过9公斤（20磅）的儿童，以先达到者为准。
- 各部位正确卡合后应能听到清晰的“咔嚓”声。睡篮正确卡合在推车判定方法：不释放提把锁，如果睡篮提把不会从推车上脱离，则可判定睡篮已正确卡合在了车架上。
- 检查安全指示器是否呈绿色，确保睡篮已正确安装。
- 收合推车前请将睡篮取下。

## 勒颈危险

- 绳索可能导致勒颈危害！请勿将带绳索的物品放置在婴儿颈脖周围，如头绳，安抚奶嘴挂绳等。请勿在睡篮或摇篮上吊挂绳索，或带绳索的玩具。

## 警告 窒息危险

偶有发生婴儿在附加睡垫与睡篮侧面之间的间隙以及过软的睡垫上窒息的案例。

- 请只使用制造商提供的睡垫。请勿添加枕头、被子或其他睡垫。
- 如睡篮垫子配有垫子外罩，请仅使用制造商提供的外罩，或使用专门针对该垫子设计的尺寸符合的外罩。
- 为减少SIDS(婴儿猝死综合症)风险，儿科医师建议健康的婴儿应仰卧睡眠，除非您的医师有其它的建议。
- 为防止窒息，请勿让睡篮存储袋的任何部分遮住儿童的鼻子或嘴巴。
- 为了延长睡眠时间，确保升起顶篷，且锁定以保证处于竖直打开状态。
- 睡篮可能会在柔软表面滚动引发窒息。请勿将睡篮置于床，沙发或者其它柔软表面上。
- 不可在无人看护的情况下让孩子在本产品中入睡。

本产品按照以下标准设计和制造：  
GB 14748-2006 儿童推车安全要求  
中国 CCC 认证  
BS EN 1466:2014+AC:2015

### 清洗：

- 使用湿布和温和清洁剂清洗（底盘）（车架）；彻底干燥。严禁使用磨蚀材料。
- 如果（底盘）（车架）部件接触了盐水，我们建议您尽快使用自来水冲洗以避免腐蚀。如果车架弄湿，请务必擦干。
- 所有面料都可拆卸。
- 为延长产品面料的使用寿命，请保持表面干净整洁，避免长时间的阳光直射。
- 产品如果潮湿或受潮，请不要折叠或收纳，也不要收纳在潮湿的环境中。

### 保养和修理：

- 本产品需要用户定期检查和保养。检查所有连接硬件（铆钉、螺丝等），看是否紧固和安全。检查所有刹车、轮胎、座椅背带和锁定机构，看是否正确运行。根据需要及时维修或更换，如果发现产品结构上不安全，请勿继续使用。
- 只能使用UPPAbaby的替换部件。使用其他制造商提供的部件可能不安全。
- 如有任何维修方面的问题请联系客服。

#### 清洗座椅、睡篮外部以及顶篷面料



使用温和清洁剂在冷水中局部清洗或手洗。请勿漂白。



再次使用或收纳之前，平放晾干，远离阳光直射。



请勿熨烫或干洗。

#### 清洗睡篮内部面料



使用温和的洗涤剂用冷水轻柔机洗。请勿漂白。



再次使用或收纳之前，平放晾干，远离阳光直射。



请勿熨烫或干洗。

#### 清洁皮质保险杠扶手外罩



使用湿布清洗污渍。切勿过于潮湿。请勿漂白。



请勿熨烫或干洗。



对于所有推车、汽车座椅和选定配件  
(睡篮、RumbleSeat 拓展座位 PiggyBack 滑行板、  
UPPAbaby 提供 1 年延长保修 (总共 3 年)。

请访问以下网址注册您的产品: [uppababy.com/register](http://uppababy.com/register)

要获得 1 年延长保修, 客户必须在购买产品的 3 个月内在  
UPPAbaby.com 上在线注册您的婴儿车或者儿童安全座椅,  
并提供从 UPPAbaby 授权零售商购买的有效证明。

自 UPPAbaby 产品购买之日起的 2 年内, 在正常使用和遵循操作说明的情况下, 出现的任何制造缺陷均在保修范围内。

此保修不可转让, 仅适用于原始零售购买者, 并且仅在提供购买凭证的情况下有效。请在此有限的保修期内保留购买凭证。

保修仅在原始购买国家/地区有效。此保修受产品 购买地所在的国家/地区所规定的条件的约束。条件可能会发生变化。UPPAbaby 不会将替换件或维修件运送至购买地国家/地区之外。

UPPAbaby 将在公司认为合适的情况下提供替换件或进行维修。

UPPAbaby 保留将产品部件与替换件互换的权利。由于产品在不断改进, 因此某些部件可能会替换为更新型号的部件。

请注意, 在以下情况下, 此保修将不涵盖维修问题:

- 问题是因滥用或维护不善导致的。请参考此说明书以了解有关产品使用和维护的指导信息。
- 损坏是因 UPPAbaby 部件和/或附件安装不当导致的。  
请参考此说明书以了解有关产品装配和使用的指导信息。
- 损坏为因缺少维护或保养导致的腐蚀、发霉或生锈。
- 损坏是因日常使用或疏忽导致的一般磨损所造成的。
- 损坏是因日晒、汗渍、清洁剂、潮湿存放或频繁清洗导致的。
- 维修或改装由第三方执行。
- 产品是从未经授权的零售商处购买的。我们的网站 [uppababy.com](http://uppababy.com) 上列出了授权零售商。
- 产品是二手的。
- 产品因事故、空运或货运损坏而导致受损。

UPPAbaby 保留决定是否符合保修条款和条件的权利。如果您对保修有任何疑问, 请联系您当地的分销商。

#### BASSINET WARNINGS:

### ⚠ WARNING

- FAILURE TO FOLLOW THESE WARNINGS AND INSTRUCTIONS COULD RESULT IN SERIOUS INJURY OR DEATH:
- **NEVER** use this carrier as a means to transport an infant in a motor vehicle.
- Use of bassinet boot cover is recommended for added safety of your child.
- The bassinet should only be placed on a low, dry, firm horizontal surface when not in use with stroller or bassinet stand.
- **NEVER** place carrier on beds, sofas or other soft surfaces.
- **DO NOT** permit other children to play unsupervised next to the bassinet.
- Open flames and other sources of heat, such as electric heaters, gas ovens, etc. in the immediate vicinity of the bassinet are dangerous and should be avoided.
- This bassinet is designed to be used with UPPAbaby VISTA and CRUZ stroller frames, and UPPAbaby bassinet stand only.
- **DO NOT** use the bassinet if it is damaged or broken.

### FALL HAZARD

- To help prevent falls, **DO NOT** use this product when the infant begins to push up on hands and knees or has reached manufacturer's recommended maximum weight, 20 lbs (9 kg), whichever comes first.
- Always check that the bassinet is securely locked on the stroller by pulling upwards on the bassinet bed, before placing the child in the bassinet.
- Child's activity can move carrier. **NEVER** place carrier on counter tops, tables, or any other elevated surface.
- This bassinet is intended to be used with one child only.
- Bassinet is suitable for infants from birth to 6 months, or until child is 20 lbs (9 kg), whichever comes first.
- Audible "click" must be heard in order to determine that each lock is in the proper position. To ensure proper locking engagement, check to see that the bassinet handle cannot be disengaged from the stroller without unlocking the device.
- Check that safety indicator is green to ensure bassinet is properly installed.
- Bassinet must be removed to fold stroller.



## STRANGULATION WARNING

- Strings can cause strangulation! **DO NOT** place items with a string around a child's neck, such as hood strings or pacifier cords. **DO NOT** suspend strings over a bassinet or cradle or attach strings to toys.

## ⚠️ WARNING SUFFOCATION HAZARD

*Infants have suffocated* in gaps between extra padding and side of bassinet, and on soft bedding.

- Use only the pad provided by manufacturer. **NEVER** add a pillow, comforter, or another mattress for padding.
- If a sheet is used with the pad, use only the one provided by the bassinet manufacturer or one specifically designed to fit the dimension of the bassinet.
- To reduce the risk of SIDS, pediatricians recommend healthy infants be placed on their backs to sleep, unless otherwise advised by your physician.
- **DO NOT** allow any part of the sunshade or bassinet storage bag to cover a child's nose or mouth.
- For extended sleep, make sure canopy is raised and locked in upright open position.
- Infant carrier can roll over on soft surfaces and suffocate child. **NEVER** place carrier on beds,
- **NEVER** allow child to sleep in bassinet unattended sofas, or other soft surfaces.

*This product is designed and manufactured in accordance with China GB 14748-2006 standards and BS EN 1466:2014+AC:2015*

### CLEANING:

- Clean frame with a damp cloth and a mild detergent; dry thoroughly. **DO NOT** use abrasives.
- If the frame parts have been exposed to salt water we recommend that they be rinsed with fresh (tap) water as soon as possible to avoid corrosion. Always dry frame if wet.
- All fabrics are removable.
- To extend the life of your product's fabric, keep it clean and do not leave it in direct sunlight for long periods of time.
- **DO NOT** fold or store the product if it is damp or wet, nor store in a damp environment.

### MAINTENANCE AND REPAIR:

- This product requires user inspection and maintenance regularly. Check all connecting hardware (rivets, screws, etc.) for tightness and security. Inspect all brakes, tires, seat harnesses and locks for correct operation. Seek prompt repairs or replacements as needed and never continue using the product if it is structurally not safe.
- Only UPPAbaby replacement parts should be used. It may be unsafe to use parts supplied by another manufacturer.
- Contact Customer Service with any repair questions.

#### CLEANING SEAT, OUTER BASSINET AND CANOPY FABRICS



Spot clean or hand wash in cold water with mild detergent. **DO NOT** bleach.



Dry flat and away from direct sunlight before re-use or storage.



**DO NOT** iron or dry clean.

#### CLEANING INNER BASSINET FABRICS



Machine wash cold gentle cycle with mild detergent. **DO NOT** bleach



Dry flat and away from direct sunlight before re-use or storage.



**DO NOT** iron or dry clean.



UPPAbaby offers an EXTENDED 1 YEAR WARRANTY (for a total of 3 years) on all strollers, car seats and select accessories (Bassinet, RumbleSeat, and PiggyBack).

**Register your product at: [uppababy.com/register](http://uppababy.com/register)**

To receive an additional 1 year warranty, register your stroller or infant car seat online at UPPAbaby.com within 3 months of purchase and provide a valid proof of purchase from an authorized UPPAbaby retailer.

Your UPPAbaby product is warranted to be free from any manufacturing defects for a period of 2 years from the date of purchase under normal use and in compliance with the operating instructions.

This warranty is not transferable and extends only to the original retail purchaser and is only valid when supplied with proof of purchase. **PLEASE RETAIN PROOF OF PURCHASE FOR THIS LIMITED WARRANTY.**

The warranty is valid only in the original country of purchase. This warranty is subject to the conditions set forth by country in which the items were purchased. Conditions may vary. UPPAbaby will not ship replacement or repair parts out of the country of purchase.

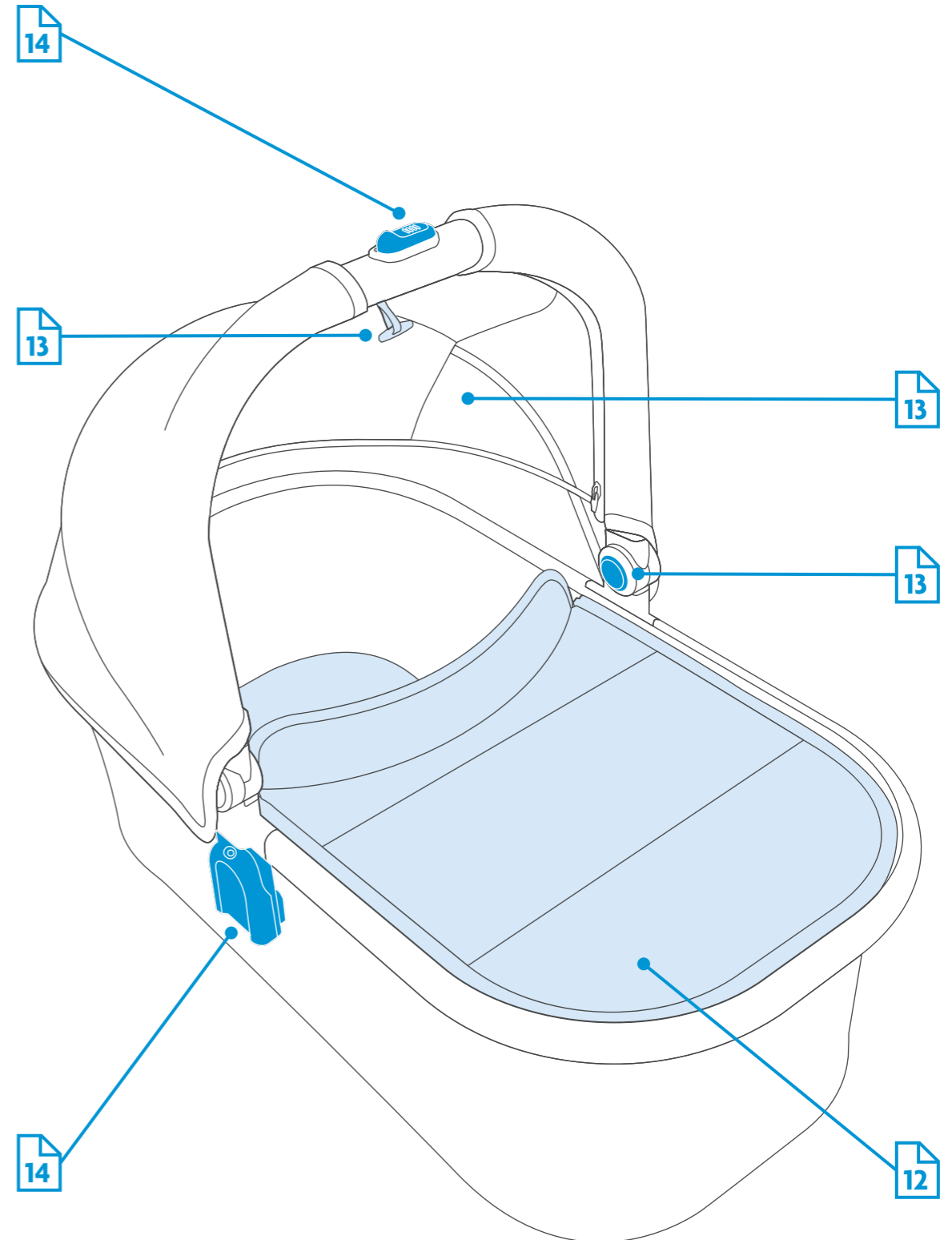
UPPAbaby will provide replacement parts or conduct repairs as determined fitting by the company. UPPAbaby reserves the right to exchange item with a replacement part. Some parts may be replaced with newer model parts as the product is improved over time.

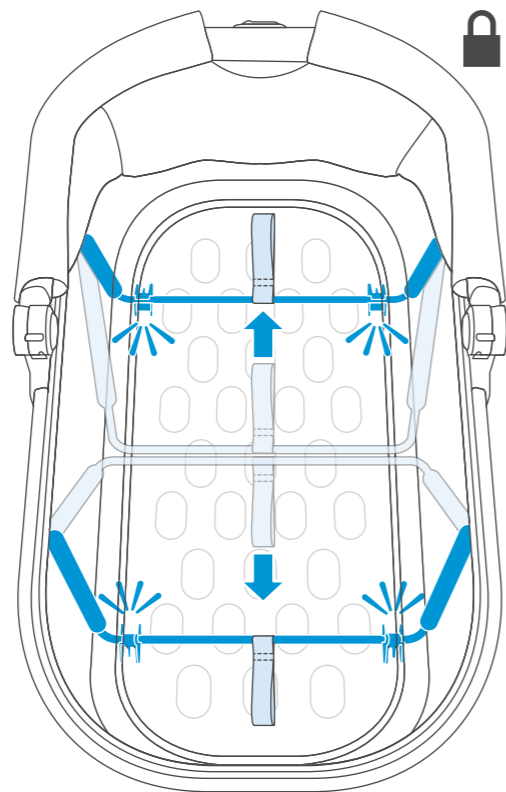
Please note that a repair issue will NOT be covered by this warranty if:

- The issue is caused by misuse or poor maintenance. Please refer to this instruction booklet for guidance on product use and maintenance.
- Damage is caused by improper installation of UPPAbaby parts and/or accessories. Please refer to this instruction booklet for guidance on product assembly and use.
- Damage is corrosion, mold or rust caused by lack of maintenance or service.
- Damage is due to general wear and tear, which is the result of everyday use or negligence.
- Damage is caused by sun intensity, sweat, detergents, damp storage or frequent washings.
- Repairs or modifications are carried out by a third party.
- Product is purchased from an unauthorized retailer. Approved retailers are listed on our website at [uppababy.com](http://uppababy.com).
- Product is second-hand.
- Product is damaged as a result of an accident, airline or freight damage.

UPPAbaby reserves the right to determine if warranty terms and conditions have been met.

Please contact your local distributor if you have any questions regarding warranty.





**\*DO NOT** remove foam

