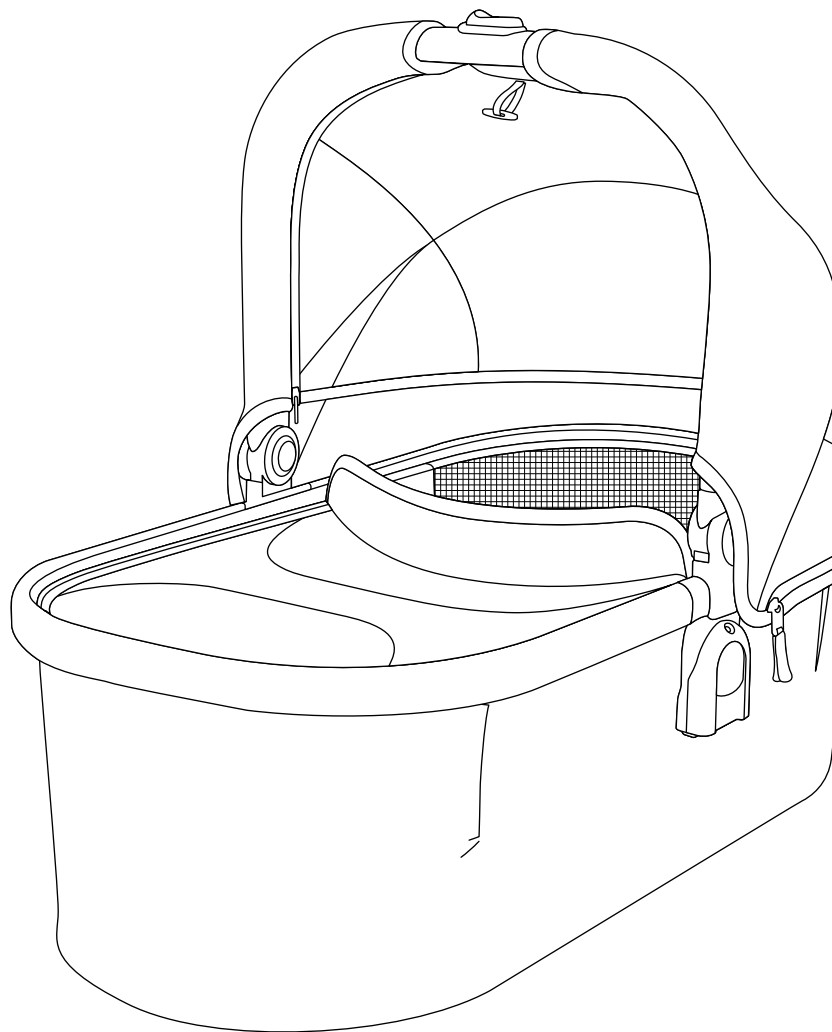
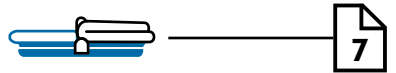
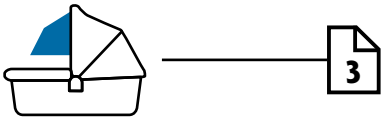
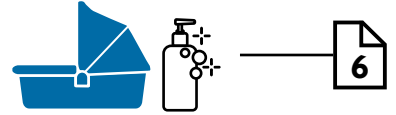
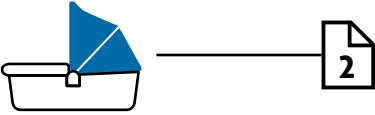
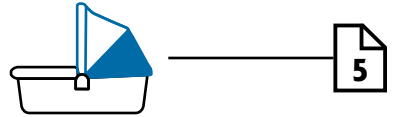
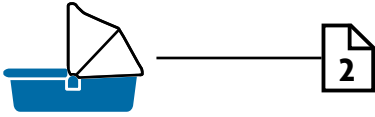
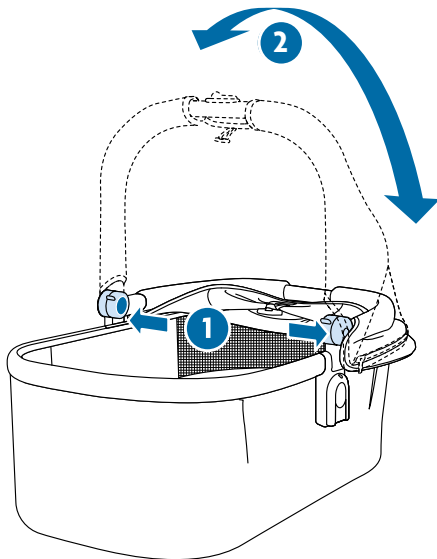
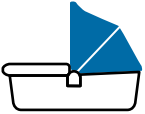
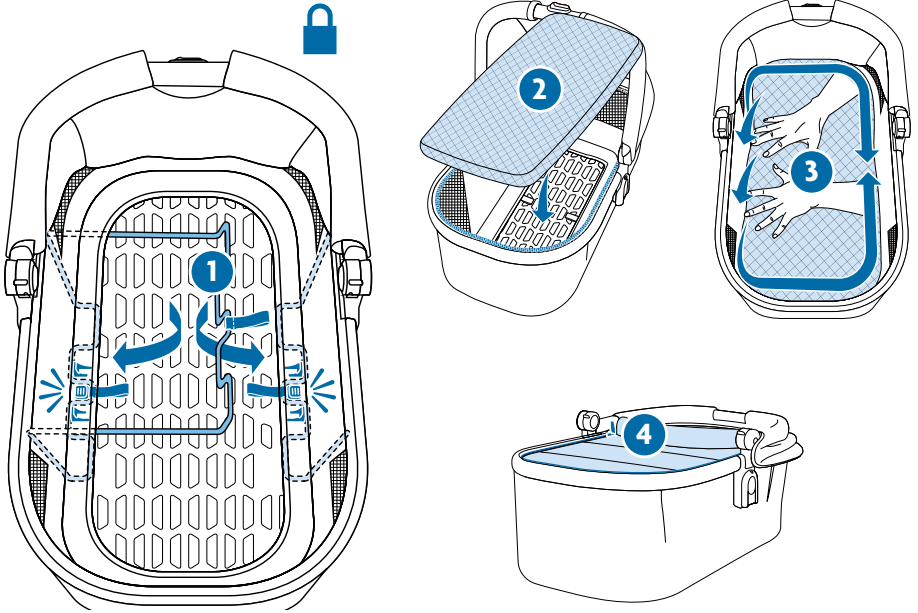


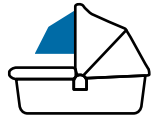



Bassinet | Carrycot | Capazo | Navicella | Tragekorb | Nacelle
Reiswieg | Berço Móvel | Liggdel | Gondola | Port Bebe
Люлька-Переноска | Košare | Kolijevka | Kosár | Kolevka
سرير الوليد | מרכב שכיבה | 睡籃

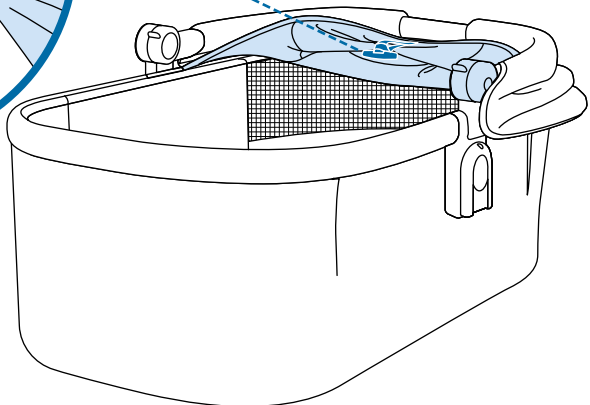
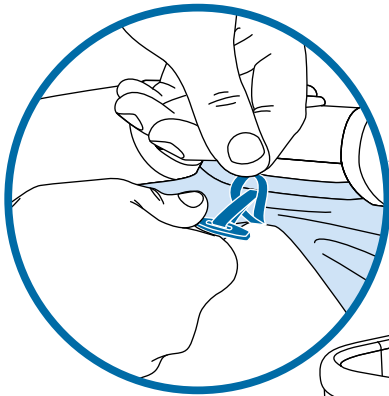
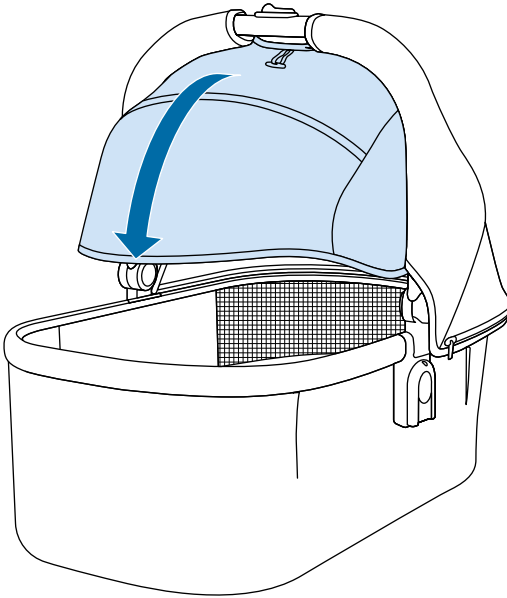


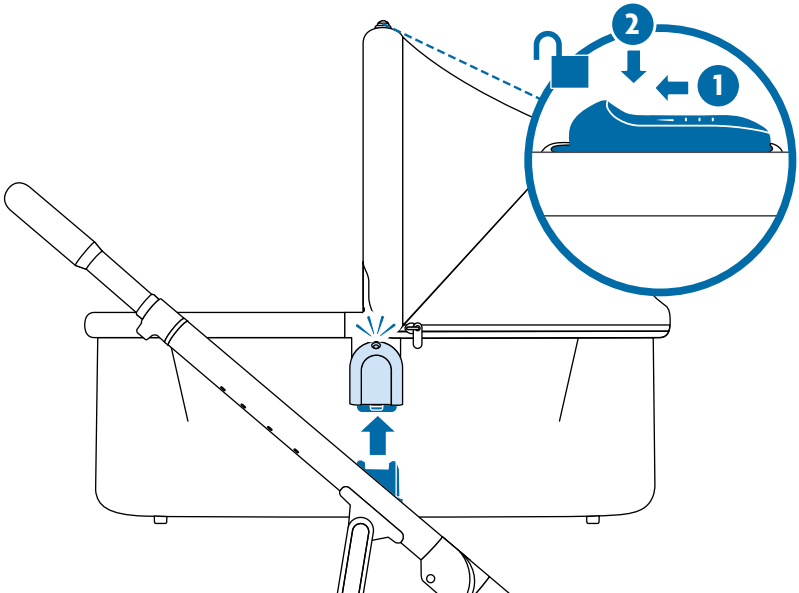
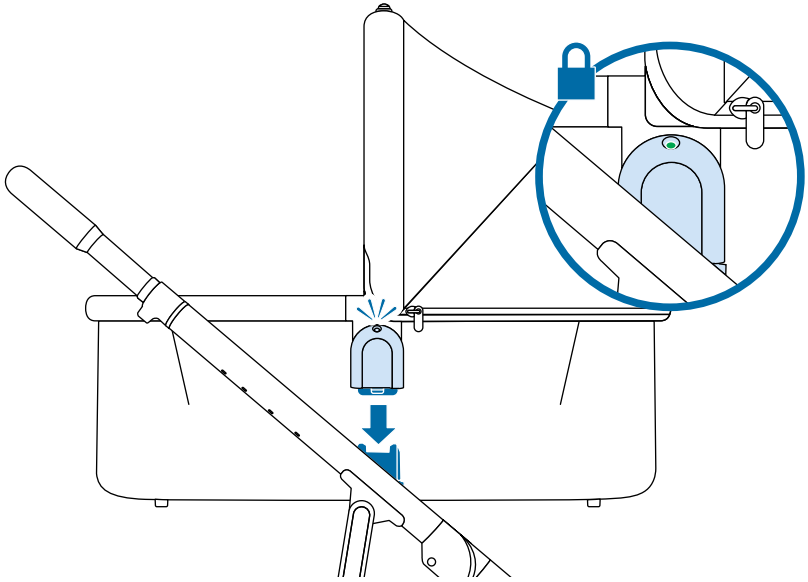


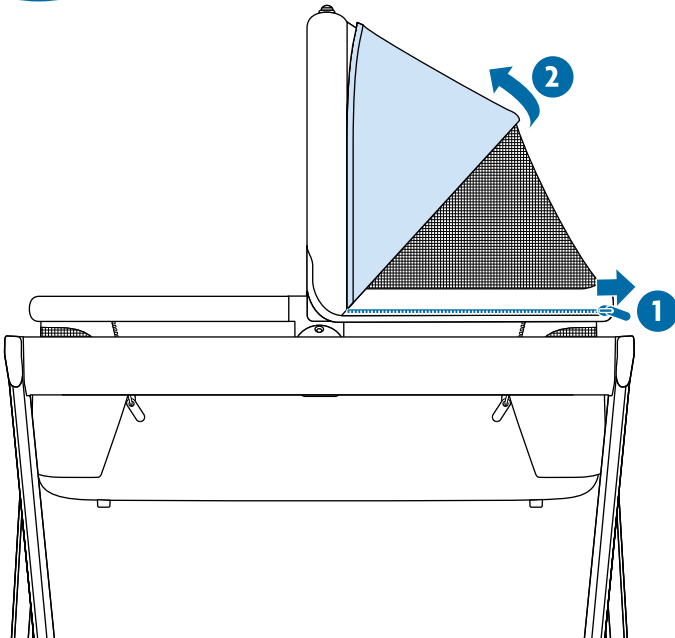
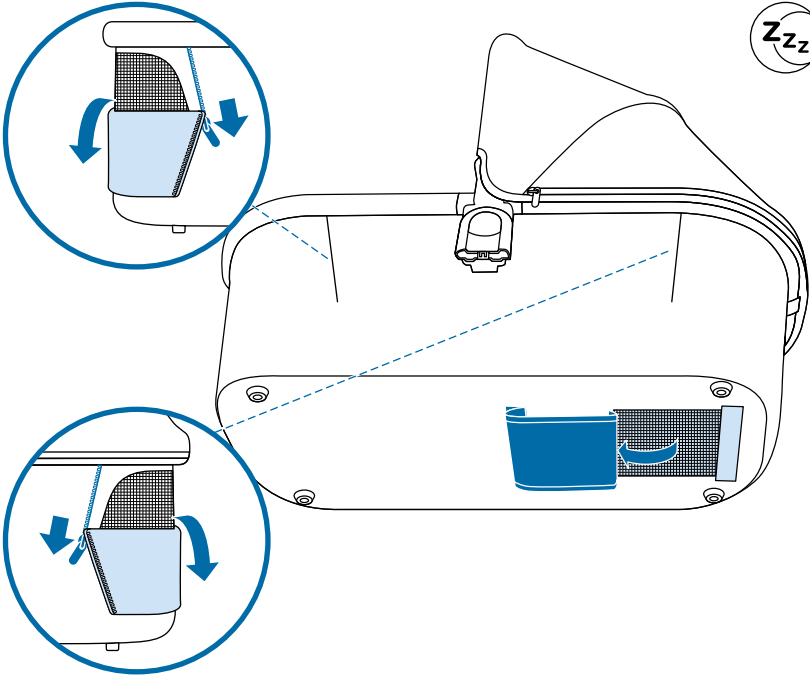
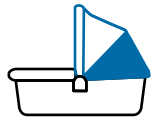


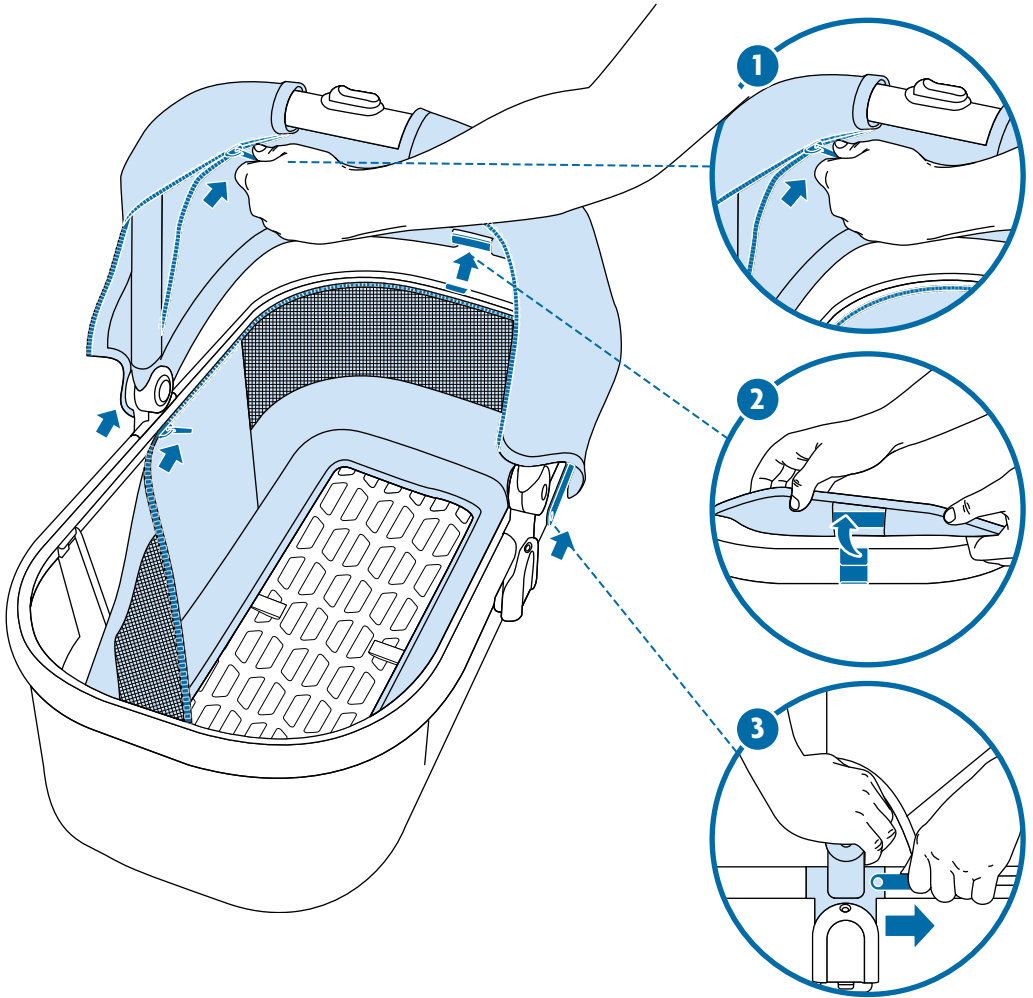
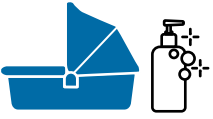


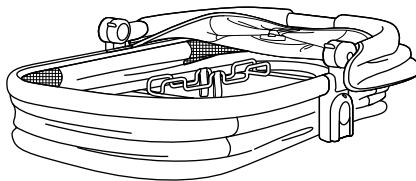
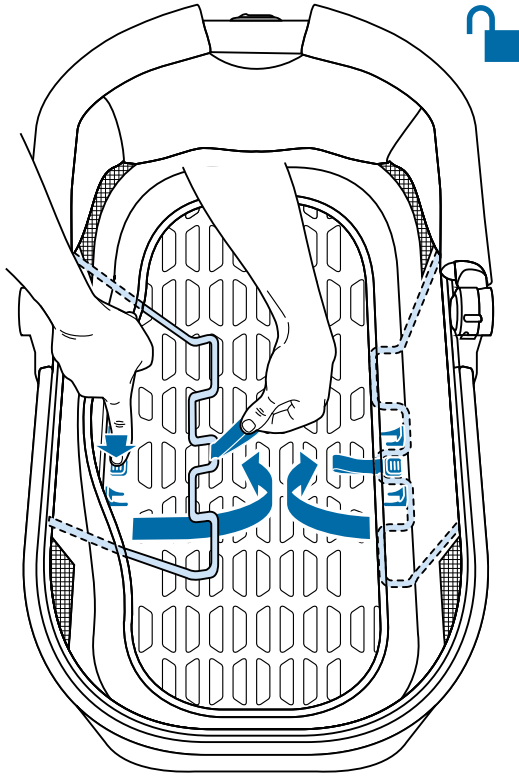

UPF 50+











▲ Keep these instructions for future reference.

▲ WARNING

FAILURE TO FOLLOW THESE WARNINGS AND INSTRUCTIONS COULD RESULT IN SERIOUS INJURY OR DEATH.

Read all instructions before use of the infant carrier.

NEVER use this carrier as a means to transport an infant in a motor vehicle.

Use of bassinet boot cover is recommended for added safety of your child.

SUFFOCATION HAZARD: Infant carrier can roll over on soft surfaces and suffocate child. NEVER place carrier on beds, sofas, or other soft surfaces.

DO NOT permit other children to play unsupervised next to the bassinet.

Open flames and other sources of heat, such as electric heaters, gas ovens, etc. in the immediate vicinity of the bassinet are dangerous and should be avoided.

Always use UPPAbaby Bassinet with compatible UPPAbaby strollers and UPPAbaby Bassinet Stand.

DO NOT use the infant carrier if it is damaged or broken. Damage to fingers or extremities may occur when opening or closing the frame.

This bassinet is intended to be used with one child only.

Bassinet is suitable for infants from birth until infant is 20 lbs (9 kg).

Audible “click” must be heard in order to determine that each lock is in the proper position. To ensure proper locking engagement, check to see that the bassinet handle cannot be disengaged from the stroller without unlocking the device.

Check that safety indicator is green to ensure bassinet is properly installed.

Bassinet must be removed to fold stroller.

Always make sure stroller is fully open and locked before use.

The brake must be locked while taking the child in or out of the stroller, and when parked.

NEVER leave child in the stroller while ascending or descending stairs, or using an escalator.

DO NOT make any alterations or modifications to the bassinet with products not supplied by the manufacturer as this may cause instability or structural damage not covered under warranty.

This bassinet is designed to be used with the UPPAbaby Vista strollers*, Cruz strollers, Ridge strollers, and UPPAbaby Bassinet Stand only. DO NOT use this bassinet with any other models.

*NOTE: Not intended for use with UPPAbaby Vista models from 2014 or earlier.

⚠️ FALL HAZARD

To help prevent falls, DO NOT use this product when the infant begins to push up on hands and knees or has reached manufacturer's recommended maximum weight, 20 lbs (9 kg), whichever comes first.

Always check that the bassinet is securely locked on the stroller by pulling upwards on the bassinet bed, before placing the child in the bassinet.

Child's activity can move carrier. NEVER place carrier on counter tops, tables, or any other elevated surface.

⚠️ STRANGULATION WARNING

Strings can cause strangulation! DO NOT place items with a string around a child's neck, such as hood strings or pacifier cords. DO NOT suspend strings over a bassinet or cradle or attach strings to toys.

⚠️ WARNING SUFFOCATION HAZARD

Infants have suffocated in gaps between extra padding and side of bassinet, and on soft bedding.

Use only the pad provided by manufacturer. NEVER add a pillow, comforter, or another mattress for padding.

If a sheet is used with the pad, use only the one provided by the bassinet manufacturer or one specifically designed to fit the dimension of the bassinet.

To reduce the risk of SIDS, pediatricians recommend healthy infants be placed on their backs to sleep, unless otherwise advised by your physician.

DO NOT allow any part of sunshade or bassinet storage bag to cover a child's nose or mouth.

For extended sleep, make sure canopy is raised and locked in upright open position.

This product is JPMA certified.

▲ Guarde estas instrucciones para su referencia en el futuro.

▲ ADVERTENCIA

NO SEGUIR ESTAS ADVERTENCIAS E INSTRUCCIONES PUEDE PROVOCAR LESIONES GRAVES O LA MUERTE.

Lea todas las instrucciones antes de su uso del capazo.

NUNCA use este transportador como medio de transporte para un bebé en un vehículo a motor.

Se recomienda el uso de la cubierta del capazo para mayor seguridad de su niño.

PELIGRO DE ASFIXIA: Al estar sobre una superficie mullida, el cargador infantil podría volcarse y sofocar al bebé. NUNCA ponga el cargador sobre camas, sofás u otro tipo de superficies blandas.

NO deje que otros niños jueguen sin supervisión cerca del capazo.

Las llamas abiertas y otras fuentes de calor, como calentadores eléctricos y hornos de gas, en las inmediaciones del capazo son peligrosas y deben evitarse.

Usa siempre el capazo UPPAbaby con cochecitos UPPAbaby y el soporte para el capazo UPPAbaby compatibles.

NO use el transportador de bebés si está roto o dañado.

Este capazo está pensado para usarse con un solo niño a la vez.

El capazo es apropiado para niños de hasta 20 lbs (9 kg).

Debe oírse un “clic” para determinar que cada bloqueo se encuentra en la posición adecuada. Para asegurarse de un bloqueo correcto, compruebe que el asa del capazo no puede separarse del carrito sin desbloquear el dispositivo.

Compruebe que el indicador de seguridad está verde para garantizar la correcta instalación del capazo.

Para plegar el carrito, es necesario quitar el capazo antes.

Asegúrese siempre de que el carrito está completamente abierto y bloqueado antes de usarlo.

El freno debe estar bloqueado al meter o sacar al niño del carrito, y cuando esté aparcado.

NUNCA deje a un niño dentro del carrito al subir o bajar escaleras, o al usar una escalera mecánica.

NO realice alteraciones o modificaciones en el carrito con productos no proporcionados por el fabricante, puesto que podría provocar inestabilidad o daño estructural no cubierto por la garantía.

Este capazo está diseñado para su uso exclusivo con los cochecitos UPPAbaby Vista*, Cruz, Ridge y UPPAbaby Bassinet Stand. NO utilice este capazo con ningún otro modelo.

*NOTA: Su uso no está previsto con los modelos UPPAbaby Vista de 2014 o anteriores.

⚠ PELIGRO DE CAÍDA

Para evitar caídas, NO use este producto cuando el bebé empiece a empujar con las manos y rodillas o haya alcanzado el peso máximo recomendado por el fabricante 20 lbs (9 kg), lo que ocurra primero.

Compruebe siempre que el capazo está bien encajado en el carrito tirando hacia arriba de la cama del capazo antes de colocar al niño en el capazo.

La actividad del bebé puede mover el transportador. NUNCA coloque el transportador en encimeras, mesas u otras superficies elevadas.

⚠ ADVERTENCIA DE ESTRANGULAMIENTO

Los cordones pueden provocar estrangulamiento. NO coloque artículos con un cordón alrededor del cuello del niño, como capuchas con cordones o cordones para el chupete. NO suspenda cordones sobre un capazo o cuna ni ate cordones a juguetes.

⚠ ADVERTENCIA RIESGO DE ASFIXIA

Algunos bebés se han asfixiado en huecos entre un colchón extra y el lateral del capazo o sobre camas blandas.

Use únicamente el colchón provisto por el fabricante. NUNCA añada un colchón, edredón u otro colchón para acolchado.

Si se usa una sábana con el colchón, solo puede ser la provista por el fabricante del capazo o una diseñada específicamente para adaptarse a las dimensiones del capazo.

Para reducir el riesgo de SIDS, los pediatras recomiendan que los bebés sanos duerman boca arriba, a menos que su médico recomiende lo contrario.

NO permita que ninguna parte de la sombrilla o de la bolsa de almacenaje del capazo cubra la nariz o la boca del bebé.

Para las largas siestas, asegúrese de que la capota está levantada y bloqueada en la posición vertical abierta.

Este producto está Certificado por JPMA.

▲ Conservez ces instructions pour référence ultérieure.

▲ MISE EN GARDE

LE NON RESPECT DE CES MISES EN GARDE OU DE CES DIRECTIVES PEUT CAUSER DES BLESSURES GRAVES, VOIRE MORTELLES.

Lire toutes les instructions avant d'utiliser la nacelle.

NE JAMAIS utiliser cette nacelle pour transporter un enfant dans un véhicule motorisé.

L'utilisation de la chancelière de la nacelle est recommandée pour améliorer la sécurité de l'enfant.

RISQUE DE SUFFOCATION: Le siège auto placé sur des surfaces molles peut se renverser et étouffer l'enfant. NE JAMAIS placer le siège auto sur un lit, un sofa ou d'autres surfaces molles.

NE PAS laisser d'autres enfants jouer sans surveillance près de la nacelle.

Les flammes nues et autres sources de chaleur, comme les radiateurs électriques, les fours à gaz, etc. à proximité immédiate de la nacelle sont dangereuses et doivent être évitées.

Utilisez toujours la nacelle UPPAbaby avec les poussettes UPPAbaby et le support de nacelle UPPAbaby compatibles.

NE PAS utiliser la nacelle si elle est endommagée.

Cette nacelle est conçue pour recevoir un seul enfant.

La nacelle convient aux bébés à partir de la naissance jusqu'à ce qu'ils pèsent 9 kg (20 lb).

Un « clic » sonore doit être entendu afin de déterminer que chaque verrou est positionné correctement. Pour s'assurer que les verrous sont bien fermés, vérifier que la poignée de la nacelle ne peut pas être séparée de la poussette sans déverrouiller le tout.

Vérifier que l'indicateur de sécurité est vert, confirmant que la nacelle est correctement installée.

Retirer la nacelle pour plier la poussette.

Toujours vérifier que la poussette est entièrement dépliée et verrouillée avant de l'utiliser.

Serrer le frein avant d'installer l'enfant dans la poussette ou de l'en sortir, ou lorsque la poussette est immobilisée.

NE JAMAIS laisser un enfant dans la poussette en montant ou en descendant un escalier, y compris un escalier mécanique.

Cette nacelle est conçue pour être utilisée uniquement avec les poussettes Vista*, Cruz, Ridge et les supports de nacelle d'UPPAbaby. NE PAS utiliser cette nacelle avec d'autres modèles.

*REMARQUE : Ne pas utiliser avec les modèles Vista d'UPPAbaby de 2014 ou antérieurs.

NE PAS altérer ou modifier la poussette avec des produits qui n'ont pas été fournis par le fabricant, car cela peut causer une instabilité ou des dommages structurels qui ne sont pas couverts par la garantie.

NE PAS utiliser la nacelle si elle est endommagée.

▲ RISQUE DE CHUTE

Afin d'éviter les chutes, NE PAS utiliser ce produit lorsque l'enfant commence à se mettre à quatre pattes ou a atteint le poids maximal recommandé par le fabricant 9 kg (20 lb), le premier des deux prévalant.

Toujours vérifier que la nacelle est fixée à la poussette de façon sécuritaire en la tirant vers le haut avant d'y installer l'enfant.

Les mouvements de l'enfant peuvent déplacer la nacelle. NE JAMAIS placer la nacelle sur un comptoir, une table ou toute autre surface haute.

▲ RISQUE D'ÉTRANGLEMENT

Les cordons présentent un risque d'étranglement! NE PAS placer des objets comportant des cordons autour du cou d'un enfant, comme les cordons de capuchon ou de sucette. NE PAS suspendre de cordons au-dessus d'une nacelle ou d'un berceau, ni attacher de cordons aux jouets.

▲ MISE EN GARDE RISQUE D'ÉTOUFFEMENT

Des enfants se sont étouffés dans l'espace entre un coussin d'appoint et le côté de leur nacelle, et sur des matelas mous.

Utiliser uniquement le coussin fourni par le fabricant. NE JAMAIS ajouter d'oreiller de couverture ou d'autre matelas.

Pour couvrir le coussin utiliser seulement un drap fourni par le fabricant de la nacelle ou un drap conçu spécifiquement aux dimensions de la nacelle.

Pour réduire le risque de mort subite du nourrisson, les pédiatres recommandent qu'un enfant en bonne santé soit allongé sur le dos pour dormir, à moins d'un avis contraire de votre médecin.

NE PAS laisser le pare-soleil ou le sac de rangement de la nacelle couvrir le nez ou la bouche de l'enfant.

Pour un long sommeil, assurez-vous que l'auvent est levé et verrouillé en position verticale ouverte.

Ce produit est certifié JPMA.

⚠ Keep these instructions for future reference.

PLEASE READ THIS MANUAL CAREFULLY BEFORE USING THIS STROLLER. FAILURE TO FOLLOW INSTRUCTIONS PROPERLY MAY RESULT IN SERIOUS INJURY TO YOUR CHILD.

⚠ WARNING

- FOLLOW THE MANUFACTURER'S INSTRUCTIONS.
- PUT ON ALL THE BRAKES WHENEVER YOU PARK THE STROLLER.
- DO NOT LEAVE CHILDREN UNATTENDED.
- DO NOT CARRY EXTRA CHILDREN OR BAGS ON THIS STROLLER.
- MAKE SURE CHILDREN ARE CLEAR OF ANY MOVING PARTS IF YOU ADJUST THE STROLLER, OTHERWISE THEY MAY BE INJURED.
- The maximum weight for this bassinet is 9 kg (20 lbs.).
- WARNING: DO NOT USE THIS BASSINET ONCE THE CHILD CAN SIT UP UNAIDED.
- WARNING: DO NOT USE FOR UNSUPERVISED SLEEPING.

WARNING: TO AVOID INJURY OR DEATH:

ALWAYS APPLY THE BRAKES WHENEVER THE STROLLER IS STATIONARY.

- SECURE THE CHILD IN THE HARNESS AT ALL TIMES.
- MAKE SURE CHILDREN ARE CLEAR OF ANY MOVING PARTS IF YOU ADJUST THE STROLLER.

This product is suitable only for a child who cannot sit up unaided, roll over and cannot push itself up on its hands and knees.

DO NOT let other children play unattended near the bassinet.

DO NOT make any alterations or modifications to the stroller with products not supplied by the manufacturer as this may cause instability or structural damage not covered under warranty.

NEVER add a mattress, pillow, comforter, or padding. Use ONLY the pad provided by the manufacturer.

Infants can roll over on soft surfaces and suffocate child. NEVER place bassinet on beds, sofas, or other soft surfaces.

To reduce the risk of SIDS Pediatricians recommend healthy infants be placed on their backs to sleep, unless otherwise advised by a Physician.

DO NOT allow any part of sunshade or bassinet storage bag to cover a child's nose or mouth.

Infants can suffocate in gaps between an extra pad and side of bassinet or on soft bedding.

To prevent falls, do not use this product when the infant begins to push up on hands and knees or has reached manufacturer's recommended maximum weight, whichever comes first.

Child's movement can slide bassinet. NEVER place bassinet near edges of counter tops, tables, or other elevated surface.

Use only on a firm ground which is horizontal, level and dry when not in use with the pram.

If the bassinet is intended to be used with a stand, check that the dimensions of the latter correspond to those of the bassinet base (36 cm w x 75 cm h).

NEVER use the bassinet as a means to transport an infant in a motor vehicle.

To avoid serious injury or death to your child, do not use this bassinet as a car bed

Use of bassinet boot cover is recommended for added safety of your child.

For use as a Pram:

This bassinet is designed to be used with the UPPAbaby Vista strollers*, Cruz strollers, Ridge strollers, and UPPAbaby Bassinet Stand only. DO NOT use this bassinet with any other models.

* NOTE: Not intended for use with UPPAbaby Vista models from 2014 or earlier.

DO NOT use this bassinet with any other models.

It is unsafe to use accessories other than those approved by UPPAbaby.

Children and adults should be clear of moving parts while making pram adjustments. If not properly executed, damage to fingers or extremities may occur when opening or closing the pram frame.

Children should not be left unattended in the product with rain shield fitted.

The brake must be locked while taking the child in or out of the pram/stroller and when parked.

The pram should not be used near an open fire or exposed flame.

Unit may become unstable if the manufacturer's recommended load is exceeded, or if a parcel bag, accessory, or rack other than that recommended by the manufacturer is used or hung from the unit.

Rain shield must be removed when indoors and in hot weather to prevent overheating and possible risk of suffocation.

Extreme care should be taken if the pram is used on stairs or an escalator.

The pram is designed for use on flat or gently sloping surfaces and may be unstable on higher sloping and uneven surfaces and could tip over if on sloping, unstable or uneven surfaces.

Audible "click" must be heard in order to determine that each lock is in the proper position. To ensure proper locking engagement, check to see that the bassinet handle cannot be disengaged from the pram without unlocking the device, and/or indicator on sides of bassinet is green.

Any load attached to the handle affects the stability of the pram.

Complies with AS 2088 and TPA 1974 NO. 8 Consumer Product Safety Standard for Prams and Strollers.

⚠️ IMPORTANT

READ CAREFULLY AND RETAIN FOR FUTURE REFERENCE.

⚠️ WARNING

A CHILD'S SAFETY IS YOUR RESPONSIBILITY.

This product is suitable only for a child who cannot sit up unaided, roll over and cannot push itself up on its hands and knees.

Maximum weight of the child: 9 kg.

DO NOT use if any part of the carrycot is broken, torn or missing.

DO NOT let other children play unattended near the carrycot.

Accessories other than those approved by UPPAbaby should not be used.

Use only replacement parts supplied or approved by UPPAbaby.

DO NOT make any alterations or modifications to the product with parts not supplied by the manufacturer, as this may cause instability or structural damage not covered under warranty.

Audible "click" must be heard in order to determine that each lock is in the proper position. To ensure proper locking engagement, check to see that the carrycot/carry handle cannot be disengaged from the pram without unlocking the device.

Check that safety indicator is green to ensure carrycot is properly installed.

Check the mattress, handle, and bottom of carrycot regularly for signs of damage and wear. DO NOT use if any part is broken, torn, or missing.

The head of the child in the carrycot should never be lower than the child's body.

For extended sleep, make sure canopy is raised and locked in upright open position.

Children should not be left unattended in the carrycot with rain cover fitted.

Rain cover must be removed when indoors and in hot weather to prevent overheating and possible risk of suffocation.

This carrycot is designed to be used with the UPPAbaby Vista strollers*, Cruz strollers, Ridge strollers, and UPPAbaby Carrycot Stand only. DO NOT use this carrycot with any other models.

*NOTE: Not intended for use with UPPAbaby Vista models from 2014 or earlier.

⚠️ WARNING

CARELESSNESS CAUSES FIRE

Be aware of the risk of open fire and other sources of strong heat, such as electric bar fires, gas fires, etc. in the near vicinity of the carrycot.

⚠️ WARNING SUFFOCATION HAZARD

Infants can suffocate in gaps between an extra pad and side of carrycot or on soft bedding.

NEVER add a mattress, pillow, comforter, or padding. Use ONLY the pad provided by the manufacturer.

WARNING: DO NOT use more than one mattress in the product.

Included mattress is intended for use with UPPAbaby bassinet with internal base dimensions of 740 mm by 321 mm

Infant carrycot can roll over on soft surfaces and suffocate child. NEVER place carrycot on beds, sofas, or other soft surfaces.

To reduce the risk of SIDS Pediatricians recommend healthy infants be placed on their backs to sleep, unless otherwise advised by a Physician.

DO NOT allow any part of sunshade or carrycot storage bag to cover a child's nose or mouth.

WARNING: Be cautious when transporting child in bassinet. DO NOT hit carrycot on doorways or other objects, this can result in serious injury.

WARNING: DO NOT leave anything in the cot or place the cot close to another product, which could provide a foothold or present a danger of suffocation or strangulation, e.g. strings, blind/curtain cords.

WARNING: Overheating can result in death. Take into account ambient temperature and clothing to ensure child is not too cold or too warm.

If you have any questions about safe sleeping, contact a health professional.

⚠️ WARNING FALL HAZARD

To prevent falls, do not use this product when the infant begins to push up on hands and knees or has reached manufacturer's recommended maximum weight, whichever comes first.

Child's movement can slide carrycot. NEVER place carrycot near edges of counter tops, tables, or other elevated surface.

Use only on a firm, horizontal, level and dry surface when not in use with the pushchair.

NEVER use the carrycot as a means to transport an infant in a motor vehicle.

To avoid serious injury or death to your child, do not use this carrycot as a car bed.

Use of carrycot boot cover is recommended for added safety of your child.

Manufactured to comply with: EN 1888-1 :2018, EN 1466:2023

Manufactured to comply with: BS EN 1888-1 :2018, BS EN 1466:2023, BS EN 18700:2023

⚠ IMPORTANTE

**LGUARDE LAS INSTRUCCIONES PARA SU REFERENCIA EN EL FUTURO.
LEA SIEMPRE LAS INSTRUCCIONES ATENTAMENTE ANTES DEL USO.
LA SEGURIDAD DE SU HIJO PUEDE VERSE AFECTADA SI NO LAS SIGUE.**

⚠ ADVERTENCIA

LA SEGURIDAD DE UN NIÑO ES SU RESPONSABILIDAD.

Este producto solo es adecuado para niños que no puedan sentarse sin ayuda, darse la vuelta y no puedan incorporarse sobre sus manos y rodillas.

Peso máximo del niño: 9 kg.

NO lo use si falta cualquier pieza del capazo, está rota o torcida.

NO deje que otro niño juegue sin supervisión cerca del capazo.

NO deberían usarse accesorios que no estén aprobados por UPPAbaby.

Solo deben emplearse piezas de repuesto suministradas o aprobadas por UPPAbaby.

NO realice alteraciones o modificaciones en el producto con piezas no provistas por el fabricante, puesto que podría provocar inestabilidad o daño estructural no cubierto por la garantía.

Debe oírse un “clic” para determinar que cada bloqueo se encuentra en la posición adecuada. Para asegurarse de un bloqueo correcto, compruebe que el asa de carga/capazo no puede separarse del cochecito sin desbloquear el dispositivo.

Compruebe que el indicador de seguridad está verde para garantizar la correcta instalación del capazo.

Compruebe regularmente el asa y el fondo del capazo en busca de signos de daño y desgaste.

La cabeza del niño en el capazo no debería estar nunca más baja que el cuerpo del niño.

Para las largas siestas, asegúrese de que la capota está levantada y bloqueada en la posición vertical abierta.

No debería dejarse a los niños sin supervisión en el capazo con la burbuja de lluvia ajustada.

La burbuja de lluvia debe retirarse en interiores y con tiempo caluroso para evitar un sobrecalentamiento y un posible riesgo de asfixia.

Este capazo está diseñado para ser utilizado únicamente con los cochecitos UPPAbaby Vista*, Cruz, Ridge y el soporte para capazo UPPAbaby. NO utilice este capazo con otros modelos.

*NOTA: Su uso no está previsto con los modelos UPPAbaby VISTA de 2014 o anteriores.

⚠️ ADVERTENCIA RIESGO DE ASFIXIA

Los bebés pueden asfixiarse en huecos entre un colchón extra y el lateral del capazo o sobre camas blandas.

NUNCA añada un colchón, almohada, edredón o acolchado. Use SÓLO el colchón provisto por el fabricante.

Un capazo de bebé puede volcar en superficies blandas y asfixiar al niño. NUNCA coloque un capazo sobre camas, sofás u otras superficies blandas.

Para reducir el riesgo de SMSL, los pediatras recomiendan que los bebés sanos duerman boca arriba, a menos que un médico recomiende lo contrario.

NO permita que ninguna parte de la sombrilla o de la bolsa de almacenaje del capazo cubra la nariz o la boca del bebé.

ADVERTENCIA: Ten cuidado al transportar al niño en el moisés. NO golpees el moisés contra puertas u otros objetos, ya que esto podría provocar lesiones graves.

ADVERTENCIA: NO dejes nada en la cuna ni la coloques cerca de otro producto que pueda servir de punto de apoyo o presentar un peligro de asfixia o estrangulamiento, por ejemplo, cuerdas, cordones de persianas/cortinas.

ADVERTENCIA: El sobrecalentamiento puede provocar la muerte. Ten en cuenta la temperatura ambiente y la ropa para que el niño no pase demasiado frío ni demasiado calor.

Si tienes alguna duda sobre la seguridad al dormir, ponte en contacto con un profesional sanitario.

⚠️ ADVERTENCIA RIESGO DE CAÍDA

Para evitar caídas, no use este producto cuando el bebé empiece a empujar con las manos y rodillas o haya alcanzado el peso máximo recomendado por el fabricante, lo que ocurra primero.

El movimiento del bebé puede deslizar el capazo. NUNCA coloque el capazo cerca de bordes de encimeras, mesas u otras superficies elevadas.

Usar solo sobre un terreno firme que sea horizontal, nivelado y seco cuando no se use con el cochecito.

NUNCA use el capazo como medio de transporte para un bebé en un vehículo a motor.

Para evitar graves lesiones o la muerte de su niño, no use este capazo como una cama de coche.

Se recomienda el uso de la cubierta de bota del capazo para mayor seguridad de su niño.

Brilla o de la bolsa de almacenaje del capazo cubra la nariz o la boca del beb.

⚠ ADVERTENCIA EL DESCUIDO PUEDE CAUSAR UN INCENDIO

Preste atención al riesgo de las llamas abiertas y otras fuentes de calor fuerte, como fogones eléctricos de bar, hornos de gas, en las inmediaciones del capazo.

Fabricado para cumplir con la normativa: EN 1888-1 :2018, EN 1466:2023
Fabricado para cumplir con la normativa: BS EN 1888-1 :2018, BS EN 1466:2023,
BS EN 18700:2023

▲ IMPORTANTE

CONSERVARE LE ISTRUZIONI PER CONSULTAZIONE FUTURA. LEGGERE SEMPRE LE ISTRUZIONI CON ATTENZIONE PRIMA DELL'USO. LA MANCATA OSSERVANZA PUÒ COMPROMETTERE LA SICUREZZA DEL VOSTRO BAMBINO.

▲ AVVERTENZA

LA SICUREZZA DEL BAMBINO È VOSTRA RESPONSABILITÀ.

Il prodotto è adatto solo per un bambino che non può stare seduto da solo, che rotola o non è in grado di sollevarsi sulle mani e sulle ginocchia.

Peso massimo del bambino: 9 kg.

NON utilizzare se una parte della navicella è rotta, lacerata o mancante.

NON lasciare che gli altri bambini giochino incustoditi accanto alla navicella.

Accessori diversi da quelli approvati da UPPAbaby non devono essere utilizzati.

Utilizzare esclusivamente le parti di ricambio fornite o approvate da UPPAbaby.

NON apportare qualsiasi alterazione o modifica al prodotto con parti non forniti dal produttore, perché questo può causare instabilità o danni strutturali non coperti dalla garanzia.

Un "clic" udibile deve essere sentito per stabilire che ogni blocco è in posizione corretta. Per garantire il corretto aggancio del dispositivo di blocco, verificare che la maniglia della navicella/non possa sganciarsi dalla carrozzina senza sbloccare il dispositivo.

Verificare che la spia luminosa sia verde per accertarsi che la navicella sia installata correttamente.

Verificare regolarmente l'eventuale presenza di danni e usura della maniglia e del fondo della navicella.

La testa del bambino all'interno della navicella non deve mai essere più in basso del suo corpo.

Per la posizione completamente reclinata, accertarsi che la capottina sia alzata e bloccata in posizione aperta e dritta.

I bambini non devono essere lasciati incustoditi all'interno della navicella con il parapigioggia installato.

Il parapigioggia deve essere rimosso quando ci si trova in ambienti interni e quando fa caldo per impedire il surriscaldamento e il potenziale rischio di soffocamento. Questa navicella è progettata per essere utilizzata esclusivamente con i passeggini UPPAbaby Vista*, Cruz, Ridge* e con il supporto per navicella UPPAbaby. NON utilizzare questa navicella con altri modelli.

*NOTA: non adatto all'uso con i modelli UPPAbaby Vista dal 2014 o precedenti.

⚠ AVVERTENZA PERICOLO DI SOFFOCAMENTO

I neonati possono soffocare nei vuoti tra un'imbottitura extra e il lato della navicella o su coperte soffici.

NON AGGIUNGERE MAI un materassino, un cuscino, una trapunta o un'imbottitura. Utilizzare **ESCLUSIVAMENTE** l'imbottitura fornita dal produttore.

La navicella per neonati può rotolare su superfici morbide e soffocare il bambino. **NON METTERE MAI** la navicella su letti, divani o altre superfici morbide.

Per ridurre il rischio di SIDS (sindrome della morte improvvisa del lattante) i pediatri raccomandano di mettere a dormire i neonati sani sulla schiena, salvo indicazioni diverse da parte del pediatra.

NON lasciare che alcuna parte del parasole o della sacca per navicella copra il naso o la bocca del bambino.

⚠ AVVERTENZA PERICOLO DI CADUTA

Per impedire le cadute, non utilizzare il prodotto quando il bambino inizia a sollevarsi su mani e ginocchia o raggiunge il peso massimo consigliato dal produttore, indipendentemente da quale delle due avvenga per prima.

I movimenti del bambino possono far scivolare la navicella. **NON METTERE MAI** la navicella vicino al bordo di balconi, tavoli o altre superfici elevate.

Utilizzare solo su una superficie stabile, orizzontale, pianeggiante e asciutta quando non in uso con il passeggino.

NON UTILIZZARE MAI la navicella come mezzo di trasporto per un neonato su una motocicletta.

Per evitare lesioni gravi o la morte del bambino, non utilizzare la navicella come lettino per auto.

Si raccomanda l'uso della coperta della navicella per una maggiore sicurezza del bambino.

AVVERTENZA: Fare attenzione quando si trasporta il bambino nella navicella. **NON** urtare la navicella contro porte o altri oggetti, ciò potrebbe provocare lesioni gravi.

AVVERTENZA: **NON** lasciare nulla nel lettino né posizionare il lettino vicino a un altro prodotto che possa fornire un appoggio per arrampicarsi o creare rischi di soffocamento o strangolamento, ad esempio cinghie o corde per tende o veneziane.

AVVERTENZA: Il surriscaldamento può provocare la morte. Prendere in considerazione la temperatura ambiente e gli indumenti per garantire che il bambino non abbia troppo freddo o troppo caldo.

In caso di domande sul sonno sicuro, contattare un operatore sanitario.

⚠ AVVERTENZA LA NEGLIGENZA CAUSA INCENDI

Tenere in considerazione il rischio legato a fiamme libere e altre fonti di forte calore, come fornelli a gas, stufe elettriche ecc. nelle immediate vicinanze della navicella.

Fabbricato per essere conforme a: EN 1888-1 :2018, EN 1466:2023

Fabbricato per essere conforme a: BS EN 1888-1 :2018, BS EN 1466:2023, BS EN 18700:2023

▲ WICHTIG

BEHALTEN SIE DIESE ANLEITUNG FÜR ZUKÜNFTIGE VERWENDUNG. LESEN SIE DIE ANWEISUNGEN AUFMERKSAM VOR DER NUTZUNG. DIE SICHERHEIT IHRES KINDES KÖNNTE GEFÄHRDET WERDEN, WENN SIE DIESE NICHT BEFOLGEN.

▲ ACHTUNG

DIE SICHERHEIT IHRES KINDES IST IHRE VERANTWORTUNG.

Dieses Produkt eignet sich nur für ein Kind, welches sich noch nicht selbständig aufsetzen, umdrehen oder sich auf seine Hände und Knie aufstützen kann.

Maximales Gewicht des Kindes: 9 kg.

Nutzen Sie dieses Produkt NICHT, falls irgendein Teil des Tragekorb beschädigt oder gerissen ist oder fehlt.

Lassen Sie NIEMALS andere Kinder unbeaufsichtigt in der Nähe des Tragekorbs spielen.

Anderes Zubehör als jenes, das von UPPAbaby befürwortet wird sollte nicht verwendet werden.

Nutzen Sie nur Ersatzteile, die von UPPAbaby zur Verfügung gestellt oder befürwortet werden.

Nehmen Sie NIEMALS irgendwelche Änderungen oder Modifikationen unter Verwendung nicht im Lieferumfang enthaltener Teile an dem Produkt vor, da dies die Stabilität des Produkts beeinflussen oder Beschädigungen verursachen kann, die nicht von der Garantie abgedeckt sind.

Es muss ein deutliches Klickgeräusch zu hören sein, um sicherzustellen, dass das alle Sicherungen ordnungsgemäß eingerastet sind. Um ordnungsgemäßes einrasten sicherzustellen, stellen Sie sicher, dass der Tragekorb/der Träger nicht vom Kinderwagen entfernt werden kann, ohne dass sich die Vorrichtung löst.

Achten Sie darauf, dass die Sicherheitsanzeige grün ist, um sicherzustellen, dass der Tragekorb korrekt installiert ist.

Prüfen Sie den Träger und den Boden des Tragekorbs regelmäßig auf Anzeichen von Abnutzung und auf Beschädigungen.

Der Kopf des Kindes im Tragekorb sollte nie tiefer liegen als der Körper des Kindes.

Wenn das Kind längere Zeit schläft, stellen Sie sicher, dass das Verdeck geöffnet ist und in der höchst möglichen Position eingerastet ist.

Kinder soll nie unbeaufsichtigt in dem Tragekorb gelassen werden, wenn die Regenabdeckung verwendet wird.

Die Regenabdeckung muss bei heißem Wetter entfernt werden oder wenn Sie sich in Innenräumen befinden, um Überhitzung oder ein mögliches Erstickenrisiko zu verhindern.

Diese Babywanne ist nur für die UPPAbaby Kinderwagen Vista*, Cruz, Ridge und den UPPAbaby Babywannenständer geeignet. Verwenden Sie diese Babywanne NICHT mit anderen Modellen.

*HINWEIS: Nicht für die Verwendung mit UPPAbaby VISTA-Modellen von 2014 oder früher bestimmt.

⚠️ WARNHINWEIS ERSTICKUNGSGEFAHR

Säuglinge können in den Lücken zwischen eines zusätzlichen Polsters und der Seite des Tragekorbs oder auf weichem Bettzeug ersticken.

Nutzen Sie NIEMALS zusätzlich eine Matratze, ein Kissen, eine Steppdecke oder Polsterung. Nutzen Sie NUR das Polster, dass vom Hersteller zur Verfügung gestellt wird.

Der Säuglings-Tragekorb kann auf weichen Oberflächen umkippen und das Kind ersticken. Platzieren Sie den Tragekorb NIEMALS auf Betten, Sofas oder anderen weichen Oberflächen.

Um das Risiko von SIDS (plötzlichem Kindstod) zu reduzieren, empfehlen Kinderärzte gesunde Säuglinge zum Schlafen auf ihren Rücken zu legen, es sei denn es liegt eine anderweitige, ärztliche Anweisung vor.

Nase und Mund des Kindes dürfen NIEMALS durch Teile des Sonnenschutzes oder des Tragekorbes bedeckt sein.

⚠️ WARNHINWEIS FALLGEFAHR

Um einen Fall zu verhindern, verwenden Sie das Produkt NIEMALS, wenn das Baby entweder beginnt, sich auf seine Hände und Knie aufzustützen, oder das vom Hersteller empfohlene maximale Körpergewicht erreicht hat, je nachdem, was zuerst eintritt.

Die Bewegung des Kindes kann den Tragekorb ins Rutschen bringen. Stellen Sie den Tragekorb NIEMALS auf der Kante von Arbeitsflächen, Tischen oder anderen erhöhten Oberflächen auf.

Verwenden Sie den Tragekorb ausschließlich auf einem festen, ebenen, horizontalen, glatten und trockenen Untergrund, falls dieser nicht mit einem Kinderwagen zusammen benutzt wird.

Nutzen Sie den Tragekorb NIEMALS, um einen Säugling in einem motorbetriebenen Vehikel zu transportieren.

Um ernsthafte Verletzungen oder den Tod Ihres Kindes zu vermeiden, nutzen Sie diesen Tragekorbs niemals als Bett in einem Auto.

Die Benutzung der Tragekorb-Abdeckung wird für zusätzliche Sicherheit Ihres Kindes empfohlen.

WARNHINWEIS: Seien Sie vorsichtig, wenn Sie Ihr Kind in der Babywanne transportieren. Stoßen Sie die Babywanne NICHT an Türen oder andere Gegenstände, dies kann zu schweren Verletzungen führen.

WARNHINWEIS: Lassen Sie KEINE Gegenstände im Bett oder stellen Sie das Reisebett nicht in der Nähe eines anderen Produkts ab, die einen Halt bieten oder eine Erstickungs- oder Strangulationsgefahr darstellen könnten, z. B. Schnüre, Jalousien-/Vorhangschnüre.

WARNHINWEIS: Überhitzung kann zum Tod führen. Berücksichtigen Sie die Umgebungstemperatur und die Kleidung, um sicherzustellen, dass dem Kind nicht zu kalt oder zu warm ist.

Wenn Sie Fragen zum sicheren Schlafen haben, wenden Sie sich an eine medizinische Fachkraft.

⚠️ ACHTUNG UNACHTSAMKEIT VERURSACHT FEUER

Beachten Sie die Gefahr von offenem Feuer und anderen starken Hitzequellen, wie zum Beispiel elektrischen Heizstrahlern, Gasfeuern usw. in der Nähe des Tragekorbes.

Hergestellt unter Beachtung von: EN 1888-1 :2018, EN 1466:2023

Hergestellt unter Beachtung von: BS EN 1888-1 :2018, BS EN 1466:2023, BS EN 18700:2023

⚠️ IMPORTANT

CONSERVEZ CES INSTRUCTIONS POUR RÉFÉRENCE ULTÉRIEURE. LISEZ TOUJOURS LES INSTRUCTIONS ATTENTIVEMENT AVANT UTILISATION. NE PAS SUIVRE LES INSTRUCTIONS PEUT AFFECTER LA SÉCURITÉ DE VOTRE ENFANT.

⚠️ AVERTISSEMENT

LA SÉCURITÉ DE VOTRE ENFANT EST VOTRE RESPONSABILITÉ.

Ce produit ne convient qu'à un enfant ne pouvant pas s'asseoir seul, ne pouvant pas se tourner et ne pouvant pas se relever sur les mains et les genoux.

Poids maximal de l'enfant: 9 kg.

Ne PAS utiliser si une pièce de la nacelle est cassée, tordue ou manquante.

Ne PAS laisser d'enfants jouer sans surveillance à proximité de la nacelle.

N'utilisez pas d'accessoires autres que ceux approuvés par UPPAbaby.

N'utilisez que les pièces de remplacement fournies ou approuvées par UPPAbaby.

N'apportez PAS de modifications au produit avec des pièces non fournies par le fabricant, car ceci pourrait provoquer une instabilité ou des dommages structurels que la garantie ne couvre pas.

Un « clic » audible doit se produire pour déterminer que chaque verrou est dans la position correcte. Pour vous assurer que les verrous sont correctement enclenchés, vérifiez qu'il est impossible de désengager la nacelle/poignée de transport du landau sans déverrouiller le dispositif.

Vérifiez que l'indicateur de sécurité est vert pour garantir que la nacelle est installée correctement.

Vérifiez régulièrement que la poignée et le bas de la nacelle ne comportent pas de traces de dommage et d'usure.

Dans la nacelle, l'enfant ne doit jamais avoir la tête plus bas que le corps.

Pour un sommeil prolongé, assurez-vous de relever la capote et de la bloquer en position ouverte.

Ne laissez jamais votre enfant sans surveillance dans la nacelle si l'habillage pluie est installé.

En intérieur et en cas de forte température, l'habillage pluie doit être retiré pour prévenir tout risque de surchauffe ou d'étouffement.

Cette nacelle est conçue pour être utilisée avec les poussettes UPPAbaby Vista*, Cruz, Ridge et le support de nacelle UPPAbaby uniquement. NE PAS utiliser cette nacelle avec d'autres modèles.

*REMARQUE : Ne pas l'utiliser avec les modèles UPPAbaby Vista de 2014 ou antérieurs.

▲ AVERTISSEMENT RISQUE D'ÉTOUFFEMENT

Un enfant peut s'étouffer dans les espaces séparant un rembourrage supplémentaire et le côté de la nacelle ou sur de la litière molle.

N'ajoutez JAMAIS de matelas, d'oreiller, de couette ou de rembourrage. Utilisez UNIQUEMENT le rembourrage fourni par le fabricant.

Sur une surface molle, la nacelle peut se retourner et étouffer l'enfant. Ne placez JAMAIS la nacelle sur un lit, un sofa ou autre surface molle.

Pour limiter le risque de mort subite du nourrisson, les médecins recommandent de placer l'enfant en bonne santé sur son dos pour dormir, sauf indication contraire par un médecin.

Ne JAMAIS laisser une partie du pare-soleil ou du sac de rangement de la nacelle recouvrir le nez ou la bouche de l'enfant.

▲ AVERTISSEMENT RISQUE DE CHUTE

Pour prévenir les risques de chute, n'utilisez pas ce produit lorsque l'enfant commence à se lever sur les mains et les genoux ou a atteint le poids maximal recommandé par le fabricant, selon la première éventualité.

L'enfant peut faire glisser la nacelle d'un mouvement. Ne placez JAMAIS la nacelle à proximité du coin d'un comptoir, d'une table ou d'une surface en hauteur.

Si vous n'utilisez pas la nacelle avec la poussette, utilisez uniquement sur une surface ferme, horizontale, régulière et sèche.

N'utilisez JAMAIS la nacelle pour transporter un enfant dans un véhicule motorisé.

Pour éviter de faire courir à votre enfant tout risque de blessure grave ou de mort, n'utilisez pas cette nacelle comme lit d'auto.

L'utilisation d'une chancelière pour nacelle est recommandée pour plus de sécurité.

AVERTISSEMENT : Soyez prudent lorsque vous transportez l'enfant dans son berceau. **NE COGNEZ PAS** le berceau contre les portes ou d'autres objets, cela peut entraîner des blessures graves.

AVERTISSEMENT : **NE LAISSEZ RIEN** dans le lit de bébé et ne placez pas le lit de bébé à proximité d'un autre produit qui pourrait servir de point d'appui ou qui pourrait présenter un risque de suffocation ou d'étranglement comme des cordes ou des cordons de stores ou de rideaux.

AVERTISSEMENT : La température excessive peut entraîner la mort. Tenez compte de la température ambiante et des vêtements pour vous assurer que l'enfant n'a ni trop froid ni trop chaud.

Si vous avez des questions au sujet du sommeil sécuritaire, contactez un professionnel de la santé.

⚠️ AVERTISSEMENT L'IMPRUDENCE PROVOQUE DES INCENDIES

Soyez conscient des risques d'incendie en plein air ou autres sources de chaleur élevée (par exemple, feux à barres électriques, foyers à gaz, etc.) à proximité de la nacelle.

Fabriqué selon la norme : EN 1888-1 :2018, EN 1466:2023

Fabriqué selon la norme : BS EN 1888-1 :2018, BS EN 1466:2023, BS EN 18700:2023

⚠ BELANGRIJK

BEWAAR DE INSTRUCTIES VOOR TOEKOMSTIG GEBRUIK. LEES DE INSTRUCTIES ALTIJD ZORGVULDIG W VOOR GEBRUIK. DE VEILIGHEID VAN UW KIND KAN IN GEVAAR KOMEN ALS U DE INSTRUCTIES NIET VOLGT.

⚠ WAARSCHUWING

DE VEILIGHEID VAN EEN KIND IS UW VERANTWOORDELIJKHEID.

Dit product is alleen geschikt voor een kind dat niet zelfstandig kan zitten, dat niet kan omrollen en dat zichzelf niet op handen en knieën omhoog kan duwen.

Maximaal gewicht van het kind: 9 kg.

NIET gebruiken als een onderdeel van de reiswieg gebroken of gescheurd is of ontbreekt.

Laat andere kinderen NIET zonder toezicht spelen in de buurt van de reiswieg.

Andere accessoires dan die, die zijn goedgekeurd door UPPAbaby mogen niet worden gebruikt.

Gebruik alleen vervangende onderdelen die door UPPAbaby zijn geleverd of zijn goedgekeurd.

Breng GEEN wijzigingen of aanpassingen aan het product aan met onderdelen die niet door de fabrikant zijn geleverd. Hierdoor kan het product instabiel worden of beschadigingen oplopen die niet worden gedekt door de garantie.

Als de vergrendeling in de juiste stand staat, hoort u een klikgeluid. Om te garanderen dat het vergrendelingsmechanisme in de correcte stand staat, moet u controleren dat de reiswieg/draaghandvat niet van de wagen kan worden losgemaakt zonder het apparaat te ontgrendelen.

Controleer of de veiligheidsindicator groen is om er zeker van te zijn dat de reiswieg goed is bevestigd.

Controleer het handvat en de onderkant van de reiswieg regelmatig op tekenen van schade en slijtage.

Het hoofd van het kind in de reiswieg mag zich nooit in een lagere positie bevinden dan zijn/haar lichaam.

Zorg ervoor, wanneer uw kind voor langere tijd slaapt, dat de kap in de rechtopstaande open positie staat en is vergrendeld.

Kinderen mogen nooit alleen worden gelaten in de reiswieg terwijl de regenhoes is bevestigd.

De regenhoes moet worden verwijderd wanneer het product binnenshuis is en bij warm weer om oververhitting en/of verstikking van het kind te voorkomen.

Deze reiswieg is ontworpen voor gebruik alleen met de UPPAbaby Vista kinderwagens*, Cruz kinderwagens, Ridge kinderwagens en de standaard voor de UPPAbaby reiswieg. Gebruik deze reiswieg NIET in combinatie met andere modellen.

*LET OP: Niet bedoeld voor gebruik met UPPAbaby Vista-modellen van 2014 of eerder.

⚠ WAARSCHUWING VERSTIKKINGSGEVAAR

Baby's kunnen stikken in openingen tussen een extra matje/kussen en de zijkant van de reiswieg of in zacht beddengoed.

Plaats **NOOIT** een extra matras, kussen, dekentje of opvulling in het product. Gebruik **ALLEEN** het kussen dat door de fabrikant is meegeleverd.

Een reiswieg voor baby's kan omrollen op zachte oppervlakken en het kind verstikken. Plaats de reiswieg **NOOIT** op een bed, op de bank of op andere zachte oppervlakken.

Om het risico op wiegendood te verlagen, raden kinderartsen aan om gezonde baby's op hun rug te leggen om te slapen. Volg dit advies, tenzij een arts iets anders adviseert.

VOORKOM dat delen van het zonnescherm of van de opbergtas van de reiswieg, de neus of mond van een kind bedekken.

⚠ WAARSCHUWING VALGEVAAR

Om vallen te voorkomen mag u dit product niet gebruiken wanneer het kind in staat is om zichzelf omhoog te duwen op handen en knieën, of wanneer uw kind et aanbevolen maximumgewicht van de fabrikant heeft bereikt (als dat eerder is).

De bewegingen van het kind kan de reiswieg doen verschuiven. Plaats de reiswieg **NOOIT** in de buurt van randen of op een aanrecht, op tafels of op andere verhoogde oppervlakken.

Gebruik het product alleen op een stevige, vlakke, droge, horizontale ondergrond wanneer het niet in gebruik is met de wandelwagen.

Gebruik de reiswieg **NOOIT** als een manier om een baby te vervoeren in een motorvoertuig.

Gebruik deze reiswieg niet als een bedje voor in de auto, om ernstig letsel en/of de dood van uw kindje te voorkomen.

Het is aanbevolen om de voetenzak van de reiswieg te gebruiken voor extra veiligheid van uw kind.

WAARSCHUWING: Wees voorzichtig bij het vervoeren van een kind in een reiswieg. Stoot de reiswieg **NIET** tegen deuropeningen of andere voorwerpen, dit kan ernstig letsel veroorzaken.

WAARSCHUWING: Laat **NIETS** in het wiegje liggen of plaats het wiegje niet in de buurt van een ander product dat een houvast kan bieden of verstikkings- of wurgingsgevaar kan opleveren, bijv. touwen, koorden van (rol)gordijnen.

WAARSCHUWING: Oververhitting kan de dood tot gevolg hebben. Houd rekening met de omgevingstemperatuur en kleding om ervoor te zorgen dat het kind het niet te koud of te warm heeft.

Als u vragen hebt over veilig slapen, neem dan contact op met een gezondheidsdeskundige.

⚠ WAARSCHUWING ONVOORZICHTIGHEID VEROORZAAKT BRAND

Wees u bewust van de risico's van open vuur en andere sterke warmtebronnen, zoals elektrische gloeispiralen, gasovens enz. in de buurt van de reiswieg.

Gefabriceerd in overeenstemming met: EN 1888-1 :2018, EN 1466:2023

Gefabriceerd in overeenstemming met: BS EN 1888-1 :2018, BS EN 1466:2023, BS EN 18700:2023

▲ IMPORTANTE

GUARDE ESTAS INSTRUÇÕES PARA CONSULTA FUTURA. SEMPRE LEIA CUIDADOSAMENTE AS INSTRUÇÕES ANTES DE USAR. A SEGURANÇA DA CRIANÇA PODE SER AFETADA SE VOCÊ NÃO SEGUI-LAS.

▲ AVISO

A SEGURANÇA DA CRIANÇA É SUA RESPONSABILIDADE.

Este produto é adequado apenas para uma criança que não pode sentar-se sem ajuda e não pode empurrar-se sobre suas mãos e joelhos.

Peso máximo da criança: 9 kg.

NÃO use se qualquer peça do berço móvel estiver quebrada, deformada ou ausente.

NÃO deixe outras crianças brincarem sem supervisão junto ao berço móvel.

Quando a trava encaixa na posição correta ela faz um som de “clique”. Para garantir que o engate está correto, verifique se o berço móvel/guidão não desencaixa da base sem desbloquear o dispositivo.

Confirme se o indicador de segurança está verde para garantir que o berço móvel está instalado corretamente.

Verifique periodicamente se a alça e o fundo do berço móvel apresentam sinais de danos ou desgaste.

A cabeça da criança no berço móvel nunca deve estar mais baixa que o corpo.

Para um sono tranquilo, a capota deve estar levantada e travada na posição vertical.

As crianças não devem ficar sem supervisão no berço móvel quando a capa de chuva estiver instalada.

A capa de chuva deve ser removida do carrinho quando estiver dentro de casa e quando o clima estiver quente para evitar superaquecimento e possível risco de sufocação.

Este moisés é projetado para ser usado apenas com os carrinhos UPPAbaby Vista*, Cruz, Ridge e com o suporte de moisés UPPAbaby. Não use este moisés com qualquer outro modelo.

*OBSERVAÇÃO: Não se destina ao uso com os modelos UPPAbaby Vista de 2014 ou anteriores.

▲ AVISO RISCO DE SUFOCAMENTO

Uma criança pode sufocar nas dobras entre uma almofada extra e a lateral do berço móvel ou em uma manta ou capa de colchão macia.

NUNCA use uma manta, travesseiro, bebê conforto nem almofada. Use **SOMENTE** a almofada fornecida pelo fabricante.

O berço móvel pode rolar sobre superfícies macias e sufocar uma criança.

NUNCA coloque o berço móvel em uma cama, sofá ou outras superfícies macias.

Para reduzir o risco da síndrome da morte súbita infantil os pediatras recomendam que crianças saudáveis sejam deitadas de costas para dormir, exceto se houver outra indicação médica.

NÃO deixe nenhuma parte do para-sol nem da bolsa de armazenamento do berço móvel obrir a boca ou nariz da criança.

⚠ AVISO PERIGO DE QUEDA

Para impedir quedas, não use mais esse produto quando a criança começar a se empurrar pelas mãos e joelhos nem quando crescer acima do peso ou altura máxima indicados pelo fabricante, o que ocorrer primeiro.

Essa movimentação da criança pode fazer o berço móvel escorregar.

NUNCA coloque o berço móvel perto da beirada de mesas, balcões ou outra superfície elevada.

Use somente uma superfície horizontal, firme, nivelada e seca quando estiver fora da cadeira dobrável.

NUNCA use o berço móvel para levar uma criança em um veículo a motor.

Para evitar ferimentos sérios ou morte da criança não use o berço móvel como uma cama no carro.

Recomenda-se usar a proteção dos pés para mais segurança da criança.

AVISO: Tenha cuidado quando estiver transportando a criança no berço. NÃO bata o berço nas portas ou outros objetos, pois isso pode resultar em ferimentos graves.

AVISO: NÃO deixe nada no berço nem coloque o berço perto de outro produto que possa servir de ponto de apoio ou apresentar perigo de asfixia ou estrangulamento; por exemplo, cordas, cordões de cortinas/persianas.

AVISO: O superaquecimento pode resultar em morte. Leve em consideração a temperatura ambiente e as roupas para ter certeza de que a criança não esteja com muito frio ou muito calor.

Se você tiver alguma dúvida sobre sono seguro, entre em contato com um profissional de saúde.

⚠ AVISO CUIDADO COM INCÊNDIO

Cuidado com o risco de fogo exposto ou outras fontes de muito calor como aquecedores elétricos ou a gás, churrasqueiras etc. próximos ao berço móvel.

Fabricado de acordo com: EN 1888-1 :2018, EN 1466:2023

Fabricado de acordo com: BS EN 1888-1 :2018, BS EN 1466:2023, BS EN 18700:2023

⚠️VIKTIGT

SPARA INSTRUKTIONERNA FÖR FRAMTIDA REFERENS. LÄS ALLTID INSTRUKTIONERNA NOGGRANT FÖRE ANVÄNDNING. BARNETS SÄKERHET KAN PÅVERKAS OM DU INTE FÖLJER DEM.

⚠️VARNING

BARNETS SÄKERHET ÄR DITT ANSVAR.

Den här produkten är lämplig endast för barn som inte kan sitta upp utan hjälp och som inte kan resa sig på händer och knän.

Barnets maxvikt: 9 kg.

Använd ALDRIG om någon del av liggdelen är trasig, sönderriven eller saknas.

Låt ALDRIG andra barn leka utan uppsikt i närheten av liggdelen.

Använd aldrig andra tillbehör och reservdelar än de som har godkänts av UPPAbaby.

Använd endast utbytesdelar som kommer från eller har godkänts av UPPAbaby.

Gör ALDRIG några ändringar eller modifieringar av produkten med delar som inte kommer från tillverkaren, eftersom det kan orsaka instabilitet eller strukturella skador som inte täcks av garantin.

Ett "klick" måste höras för att varje lås ska vara i rätt läge. Säkerställ korrekt låsning genom att kontrollera att liggdelen/bärhandtaget inte kan lossna från vagnen utan att du låser upp anordningen.

Kontrollera att säkerhetsindikatorn är grön för att säkerställa att liggdelen är rätt monterad.

Kontrollera sulkyns handtag och undersida regelbundet efter tecken på skador eller slitage.

Barnets huvud ska aldrig vara lägre än kroppen i liggdelen.

Se till att suffletten är uppfälld och låst i upprätt läge under längre perioder av sömn.

Barnet ska inte lämnas utan uppsikt i liggdelen när regnskyddet är på.

Regnskyddet måste tas av inomhus och i varmt väder för att förhindra överhettning och kvävningrisk.

Denna liggdel är endast avsedd att användas med UPPAbaby Vista barnvagnar*, Cruz barnvagnar, Ridge barnvagnar och UPPAbaby Carrycot Stand. Använd INTE denna liggdel med andra modeller.

*OBS: Ej avsedd att användas med UPPAbaby Vista-modeller från 2014 eller tidigare.

⚠ VARNING K VÄVNINGSRISK

Barnet kan kvävas i mellanrummet mellan en extra dyna och sidan av liggdelen eller på mjuka sängkläder.

Lägg ALDRIG i extra madrasser, kuddar eller vadderade täcken eller underlag. Använd ENDAST dynan från tillverkaren.

Liggdelen kan välta på mjuka ytor och kväva barnet. Placera ALDRIG liggdelen på sängar, soffor eller andra mjuka ytor.

För att minska risken för plötslig spädbarnsdöd rekommenderar barnläkare att friska spädbarn sover på rygg, om inte en läkare har sagt något annat.

Låt INTE någon del av solskyddet eller liggdelens förvaringsväska täcka över barnets näsa eller mun.

⚠ VARNING FALLRISK

Förhindra fall genom att inte använda den här produkten när spädbarnet börjar resa sig på händer och knän eller har nått tillverkarens rekommenderade maxvikt, beroende på vilket som inträffar först.

Barnets rörelser kan göra att liggdelen glider. Placera ALDRIG liggdelen nära kanten på köksbänkar, bord eller andra upphöjda ytor.

Använd bara en stadig, vågrät, jämn och torr yta när du inte använder liggdelen med sulkyn.

Använd ALDRIG liggdelen för att transportera ett spädbarn i en bil.

Undvik allvarliga skador eller dödsfall genom att inte använda liggdelen som ett babyskydd i bilen.

Locket rekommenderas för extra säkerhet för barnet.

VARNING: Var försiktig när du transporterar barn i en liggdel. Se till att liggdelen INTE slår emot dörröppningar eller andra föremål eftersom detta kan resultera i allvarliga skador.

VARNING: Lämna INTE någonting i resesängen och placera inte resesängen nära en annan produkt som kan utgöra fotfäste eller utgöra en risk för kvävning eller strypning, t.ex. snören och persienn-/gardinsnören.

VARNING: Överhettning kan leda till dödsfall. Ta hänsyn till omgivningstemperatur och kläder för att säkerställa att barnet inte är för kallt eller för varmt.

Om du har frågor om säker sömn kontaktar du vårdpersonal.

⚠ VARNING OVARSAMHET KAN ORSAKA BRAND

Var medveten om risken med öppen eld och andra starka värmekällor, till exempel elektriska eldstäder och gaskaminer, i närheten av liggdelen.

Tillverkad för att uppfylla: EN 1888-1:2018, EN 1466:2023

Tillverkad för att uppfylla: BS EN 1888-1:2018, BS EN 1466:2023, BS EN 18700:2023

▲WAŻNE

ZACHOWAJ INSTRUKCJE DO WYKORZYSTANIA W PRZYSZŁOŚCI. PRZED UŻYCIEM ZAWSZE UWAŻNIE PRZECZYTAJ INSTRUKCJĘ. NIEPRZESTRZEGANIE ICH MOŻE MIEĆ WPŁYW NA BEZPIECZEŃSTWO DZIECKA

▲OSTRZEŻENIE

ODPOWIEDZIALNOŚĆ ZA BEZPIECZEŃSTWO DZIECKA SPOCZYWA NA TOBIE.

Ten produkt jest odpowiedni wyłącznie dla dziecka, które nie siada samodzielnie, nie umie się turlać ani podnosić na rękach ani kolanach.

Maksymalna waga dziecka: 9 kg.

NIE używaj gondoli, jeżeli dowolna z jej części jest uszkodzona, rozdarta lub niedostępna.

NIE pozwalaj innym dzieciom bawić się w pobliżu gondoli bez nadzoru.

NIE należy używać akcesoriów innych niż zatwierdzone przez UPPAbaby.

Stosuj wyłącznie części zamienne zapewniane lub zatwierdzone przez UPPAbaby.

NIE dokonuj żadnych przeróbek ani modyfikacji wózka przy użyciu części niedostarczonych przez producenta, ponieważ może to spowodować niestabilność lub uszkodzenie konstrukcji nieobjęte gwarancją.

Aby mieć pewność, że każda blokada jest we właściwym położeniu, musisz usłyszeć wyraźne kliknięcie. Aby sprawdzić, czy blokady są prawidłowo zamontowane, upewnij się, że nie można odłączyć gondoli/nosidła od wózka bez odblokowania urządzenia.

Sprawdź, czy wskaźnik bezpieczeństwa jest zielony, aby się upewnić, że gondola jest prawidłowo zamontowana.

Należy regularnie sprawdzać, czy na uchwycie i dnie wózka nie ma śladów świadczących o zniszczeniu lub zużyciu sprzętu.

W gondoli głowa dziecka nigdy nie powinna znajdować się niżej niż jego tułów.

Podczas dłuższego snu upewnij się, że budka jest uniesiona i zablokowana w pozycji otwartej pionowej.

Dzieci nie można pozostawiać bez opieki w gondoli z założoną osłoną przeciwdeszczową.

W pomieszczeniu i w upalne dni należy zdjąć osłonę przeciwdeszczową, aby zapobiec przegrzaniu i ewentualnemu ryzyku uduszenia dziecka.

Gondola jest przeznaczona do użytku wyłącznie z wózkami UPPAbaby Vista*, Cruz, Ridge i stojakiem UPPAbaby. NIE NALEŻY UŻYWAĆ tej gondoli z żadnym innym modelem.

*UWAGA: Nie są przeznaczone do użytku z modelami UPPAbaby VISTA z 2014 roku ani wcześniejszymi.

⚠️ OSTRZEŻENIE RYZYKO UDUSZENIA

Niemowlęta mogą udusić się w szczelinach między dodatkową podkładką a bokiem gondoli lub na miękkiej pościeli.

NIE WOLNO wkładać do gondoli własnego materaca, własnej poduszki, kołderki ani wkładki. Należy używać **WYŁĄCZNIE** wkładki pochodzącej od producenta.

Gondola może przewracać się na miękkich powierzchniach i spowodować uduszenie dziecka. **NIE WOLNO** kłaść gondoli na łóżku, kanapie ani na innych miękkich powierzchniach.

W celu zmniejszenia ryzyka wystąpienia śmierci łóżeczkowej, pediatrzy zalecają, by zdrowe niemowlęta spały na plecach, chyba że lekarz zaleci inaczej.

NALEŻY SIĘ UPEWNIĆ, że żadna część osłony przeciwsłonecznej lub torby do przechowywania gondoli nie zakrywa nosa ani ust dziecka.

⚠️ OSTRZEŻENIE RYZYKO UPADKU

Aby zapobiec upadkom, nie używaj tego produktu, gdy niemowlę zaczyna podnosić się na rękach i kolanach lub osiągnęło zalecaną przez producenta maksymalną masę ciała, w zależności od tego, co nastąpi wcześniej.

Ruch dziecka może spowodować zsuniecie się gondoli. **NIGDY** nie wolno stawiać gondoli w pobliżu krawędzi blatów, stołów lub innych powierzchni na wysokości.

Gdy gondola nie jest używana z wózkiem, można ją stawiać wyłącznie na twardej, poziomej i suchej powierzchni.

NIGDY nie wolno używać gondoli do przewożenia niemowlęcia w samochodzie.

Aby uniknąć poważnych obrażeń lub śmierci dziecka, nie należy używać tej gondoli jako łóżka samochodowego.

Zaleca się stosowanie pokrowca na gondolę, aby zwiększyć bezpieczeństwo dziecka.

OSTRZEŻENIE: Zachowaj ostrożność podczas transportu dziecka w gondoli. **NIE** uderzaj gondolą o drzwi lub inne przedmioty, może to spowodować poważne obrażenia.

OSTRZEŻENIE: **NIE** pozostawiaj niczego w gondoli ani nie umieszczaj jej w pobliżu innego obiektu, który może stanowić podnózek lub stwarzać niebezpieczeństwo uduszenia, np. linek, sznurków do żaluzji/zastłon.

OSTRZEŻENIE: Przegrzanie może spowodować śmierć. Weź pod uwagę temperaturę otoczenia i ubranie, aby upewnić się, że dziecku nie jest ani za zimno, ani za ciepło.

Jeśli masz jakiegokolwiek pytania dotyczące bezpiecznego snu, skontaktuj się z pracownikiem służby zdrowia.

⚠ OSTRZEŻENIE NIEOSTROŻNOŚĆ MOŻE PROWADZIĆ DO POŻARU

Należy zwracać uwagę na zagrożenia związane z obecnością otwartego ognia i innych źródeł silnego ciepła, takich jak kominki elektryczne, kominki gazu itp. w pobliżu gondoli.

Wyprodukowano zgodnie z wymaganiami normy: EN 1888-1 :2018,
EN 1466:2023

Wyprodukowano zgodnie z wymaganiami normy: BS EN 1888-1 :2018,
BS EN 1466:2023, BS EN 18700:2023

⚠️ ÖNEMLİ

BU TALİMATLARI İLERİDE BAŞVURMAK ÜZERE SAKLAYIN. KULLANIMDAN ÖNCE TALİMATLARI DAİMA DİKKATLE OKUYUN. BUNLARA UYMAMANIZ HALİNDE ÇOCUĞUNUZUN GÜVENLİĞİ KÖTÜ ETKİLENEBİLİR.

⚠️ UYARI

ÇOCUĞUN GÜVENLİĞİ SİZİN SORUMLULUĞUNUZDUR.

Bu ürün yalnızca yardım almadan dik oturamayan, yuvarlanamayan ya da elleri ve dizleri üzerinde kendisini yukarıya kaldıramayan çocukların kullanması için uygundur.

Maksimum çocuk ağırlığı: 9 kg.

Port bebenin herhangi bir parçası kırılmış, yırtılmış veya eksikse ULLANMAYIN.

Başka çocukların port bebenin etrafında yalnız oynamasına İZİN VERMEYİN.

UPPAbaby tarafından onaylanmış olanlar dışındaki aksesuarlar kullanılmamalıdır.

Yalnızca UPPAbaby tarafından tedarik edilen veya UPPAbaby onaylı yedek parçaları kullanın.

Dengesizlik veya garanti kapsamında olmayan yapısal hasara sebep olabileceği için üretici tarafından tedarik edilmemiş parçalarla ürün üzerinde herhangi bir tadilat veya değişiklik YAPMAYIN.

Yalnızca UPPAbaby tarafından tedarik edilen veya UPPAbaby onaylı yedek parçaları kullanın.

Her bir kilidin doğru pozisyonda olduğunu tespit etmek için “klik” sesi duyulmalıdır. Uygun kilitleme bağlantısından emin olmak için, port bebe/taşıma kolunun kilit açma cihazı olmaksızın çocuk arabasından ayırlamadığını kontrol edin.

Port bebenin düzgün takıldığından emin olmak için, güvenlik göstergesinin yeşil olduğunu kontrol edin.

Port bebenin kolunu ve alt kısmını hasar ve aşınma izlerine karşı düzenli olarak kontrol edin.

Port bebe içerisindeki çocuğun başı, asla çocuğun bedeninden daha aşağıda olmamalıdır.

Uzun bir uyku için, gölgeyi kaldırılmış ve dik olarak açık konumda kilitlenmiş olduğundan emin olun.

Çocuklar yağmurluk takılı olarak port bebe içinde yalnız bırakılmamalıdır.

Aşırı ısınmayı ve olası boğulma riskini önlemek için, yağmurluk içeride ve sıcak havalarda çıkarılmalıdır.

Bu portbebe yalnızca UPPAbaby Vista bebek arabaları*, Cruz bebek arabaları, Ridge bebek arabaları ve UPPAbaby Portbebe Standı ile kullanılmak üzere tasarlanmıştır. Bu portbebeyi başka modellerle KULLANMAYIN.

*NOT: 2014 veya önceki UPPAbaby Vista modelleriyle kullanılmak üzere tasarlanmamıştır.

⚠ UYARI BOĞULMA TEHLİKESİ

Bebekler, ilave bir dolgu ile port bebenin yan tarafı veya yumuşak yatak arasındaki boşluklarda boğulabilir.

ASLA döşek, yastık, yorgan veya dolgu maddesi eklemeyin. YALNIZCA üretici tarafından sağlanan dolguyu kullanın.

Port bebe yumuşak yüzeylerde yuvarlanabilir ve çocuğu boğabilir. Port bebeyi ASLA yatak, kanepeler veya diğer yumuşak yüzeyler üzerine koymayın.

SIDS riskini azaltmak için Çocuk Doktorları, bir Hekim tarafından aksi tavsiye edilmedikçe, sağlıklı bebeklerin uyurken sırt üstü yatırılmasını önermektedir.

Güneş siperliğinin veya port bebe saklama çantasının hiçbir parçasının bebeğin burnunu veya ağzını kapatmasına İZİN VERMEYİN.

⚠ UYARI DÜŞME TEHLİKESİ

Düşmeyi engellemek için, bebeğiniz elleri ve dizleri üzerinde yukarı kalkmaya başladığında ya da üreticinin tavsiye ettiği maksimum ağırlığa ulaştığında (hangisi önce gerçekleşirse) bu ürünü kullanmayın.

Çocuğun hareketi port bebeyi kaydırabilir. Port bebeyi ASLA mutfak tezgahı, masa veya diğer yüksekte bulunan yüzeylerin kenarlarının yakınına koymayın.

Pusetle kullanımda olmadığında sadece sağlam, yatay, düz ve kuru bir yüzeyde kullanın.

Port bebeyi ASLA motorlu araçta bir bebeği bir yere götürme aracı olarak kullanmayın.

Çocuğunuzun ciddi şekilde yaralanmasına veya ölümüne engel olmak için, bu port bebeyi araba yatağı olarak kullanmayın.

Port bebe koruyucu örtüsünün kullanımı çocuğunuzun ilave güvenliği için tavsiye edilir.

UYARI: Çocuğu basinette taşıırken dikkatli olun. Basinet ile kapı aralıklarına veya diğer nesnelere ÇARPMAYIN; bu ciddi yaralanmalara neden olabilir.

UYARI: Yatağın üstüne basamak olarak kullanılabilecek ya da yutulduğunda veya boğaza dolandığında boğulma tehlikesi yaratabilecek hiçbir şey BIRAKMAYIN veya yatağı bu tür başka bir ürünün yakınına KOYMAYIN; örneğin ipler, jaluzi/ perde kordonları.

UYARI: Aşırı ısınma ölümle sonuçlanabilir. Çocuğun çok soğuk ya da çok sıcak olmadığından emin olmak için ortam sıcaklığını ve giysilerini dikkate alın.

Güvenli uyku hakkında herhangi bir sorunuz varsa bir sağlık uzmanına başvurun.

⚠ UYARI DİKKATSİZLİK YANGINA SEBEP OLUR

Port bebenin yakınındaki açık alev ve elektrikli ısıtıcı, gazlı ısıtıcı vb. diğer güçlü ısı kaynakları riskinin farkında olun.

Aşağıdakilere uyum sağlamak üzere üretilmiştir: EN 1888-1 :2018, EN 1466:2023
Aşağıdakilere uyum sağlamak üzere üretilmiştir: BS EN 1888-1 :2018, BS EN 1466:2023, BS EN 18700:2023

▲ВНИМАНИЕ

СОХРАНИТЕ ЭТУ ИНСТРУКЦИЮ НА СЛУЧАЙ НЕОБХОДИМОСТИ. ПЕРЕД ИСПОЛЬЗОВАНИЕМ ИЗДЕЛИЯ ВНИМАТЕЛЬНО ИЗУЧИТЕ ИНСТРУКЦИЮ. НЕСОБЛЮЖДЕНИЕ ТРЕБОВАНИЙ, ИЗЛОЖЕННЫХ В ИНСТРУКЦИИ, МОЖЕТ ПОВЛИЯТЬ НА БЕЗОПАСНОСТЬ ВАШЕГО РЕБЕНКА.

▲ПРЕДУПРЕЖДЕНИЕ

ВЫ ВСЕГДА НЕСЕТЕ ОТВЕТСТВЕННОСТЬ ЗА БЕЗОПАСНОСТЬ СВОЕГО РЕБЕНКА.

Это изделие предназначено только для детей, которые не могут самостоятельно сидеть, переворачиваться и вставать на четвереньки.

Максимальный вес ребенка: 9 кг.

ЗАПРЕЩЕНО пользоваться люлькой-переноской с поврежденными или отсутствующими компонентами.

НЕ ПОЗВОЛЯЙТЕ другим детям играть рядом с люлькой-переноской без присмотра.

Используйте только дополнительные принадлежности, одобренные компанией UPPAbaby.

Используйте только оригинальные запчасти или запчасти, утвержденные компанией UPPAbaby.

ЗАПРЕЩЕНО вносить изменения в конструкцию изделия и использовать неоригинальные компоненты, поскольку это может привести к потере устойчивости изделия и к возникновению конструктивных повреждений, не покрываемых гарантией.

При установке фиксаторов в закрытое положение должен быть слышен отчетливый щелчок. Убедитесь в том, что после фиксации нельзя свободно снять люльку-переноску/ее ручку с коляски.

При правильной установке люльки-переноски должен быть виден зеленый индикатор.

Регулярно осматривайте ручку и нижнюю часть люльки-переноски на предмет повреждения и износа.

Когда ребенок находится в люльке-переноске, его голова всегда должна быть расположена выше остального тела.

Во время длительного сна поднимите и зафиксируйте капор в вертикальном открытом положении.

Не оставляйте без присмотра люльку-переноску с ребенком, если на ней установлен дождевик.

Внутри помещения и в жаркую погоду дождевик необходимо снимать, в противном случае возникает опасность перегрева и удушья.

Эта люлька-переноска предназначена для использования только с колясками UPPAbaby Vista*, колясками Cruz, колясками Ridge и подставкой для люльки-переноски UPPAbaby. НЕ используйте эту люльку-переноску с другими моделями.

* ПРИМЕЧАНИЕ. Не предназначена для использования с моделями UPPAbaby Vista 2014 года или более ранними.

▲ ПРЕДУПРЕЖДЕНИЕ ОПАСНОСТЬ УДУШЕНИЯ

Существует риск удушья новорожденных детей в зазорах между дополнительной подушкой и боковой частью люльки-переноски или в мягких подкладках.

ЗАПРЕЩЕНО использовать дополнительные матрасы, подушки, одеяла или подкладки. Используйте ТОЛЬКО подушку, поставляемую поставщиком.

Люлька-переноска на мягких поверхностях может перевернуться, что приведет к удушению ребенка. ЗАПРЕЩЕНО устанавливать люльку-переноску на кроватях, диванах или на других мягких поверхностях.

Чтобы снизить риск синдрома внезапной детской смерти педиатры рекомендуют по умолчанию укладывать всех новорожденных детей на спину во время сна.

СЛЕДИТЕ ЗА ТЕМ, ЧТОБЫ защитный козырек или сумка для хранения люльки-переноски не закрывала нос или рот ребенка.

▲ ПРЕДУПРЕЖДЕНИЕ ОПАСНОСТЬ ПАДЕНИЯ

Не используйте это изделие, если ваш ребенок уже может вставать на четвереньки, а также если вес ребенка превышает максимальный вес, рекомендуемый производителем. В противном случае ребенок может упасть.

Движения ребенка могут сдвинуть люльку-переноску. ЗАПРЕЩЕНО размещать люльку-переноску рядом с углами столешниц, на столах или а других возвышенностях.

Если изделие используется отдельно от прогулочной коляски, размещайте его только на сухой и устойчивой горизонтальной поверхности.

ЗАПРЕЩЕНО использовать люльку-переноску для перевозки новорожденных в автомобиле.

Использование люльки-переноски в качестве автомобильной люльки может стать причиной тяжелой травмы или смерти вашего ребенка.

Для максимальной безопасности ребенка рекомендуем использовать отстегивающуюся подложку.

ПРЕДУПРЕЖДЕНИЕ. Будьте осторожны при транспортировке ребенка в люльке-переноске. НЕ ударяйте люльку-переноску об дверные проемы или другие предметы: это может привести к серьезным травмам.

ПРЕДУПРЕЖДЕНИЕ. Ничего НЕ оставляйте в люльке и не ставьте ее рядом с другими предметами, на которые можно встать или которые могут создать опасность удушья или удушения, например веревками, шнурами от жалюзи или занавесок.

ПРЕДУПРЕЖДЕНИЕ. Перегрев может привести к смерти. Учитывайте температуру окружающей среды и одежду, чтобы ребенку не было слишком холодно или слишком жарко.

По вопросам о безопасности сна обращайтесь к врачу.

▲ПРЕДУПРЕЖДЕНИЕ СОБЛЮДАЙТЕ ОСТОРОЖНОСТЬ ПРИ ОБРАЩЕНИИ С ОГНЕМ

Не используйте открытое пламя и не пользуйтесь нагревательными приборами (например, трубчатыми электронагревателями, газовыми горелками и т. п.) рядом с люлькой переноской.

Производитель гарантирует соответствие изделия следующим нормативам: EN 1888-1 :2018, EN 1466:2023

Производитель гарантирует соответствие изделия следующим нормативам: BS EN 1888-1 :2018, BS EN 1466:2023, BS EN 18700:2023

▲POMEMBNO

POZORNO PREBERITE IN SHRANITE ZA POZNEJŠO UPORABO.

▲OPOZORILO

SAMI STE ODGOVORNI ZA OTROKOVO VARNOST.

Ta izdelek je primeren le za otroke, ki ne morejo sedeti brez pomoči, se ne morejo sami obrniti niti sami dvigniti na roke in kolena.

Največja teža otroka: 9 kg.

Košare NE uporabljajte, če je kateri koli njen del poškodovan, strgan ali manjka.

NE dovolite, da se drugi otroci brez nadzora igrajo v bližini košare.

Ne smete uporabljati dodatkov, ki jih ni odobrila družba UPPAbaby.

Uporabljajte samo nadomestne dele, ki jih je dobavila ali odobrila družba UPPAbaby.

Izdelka NE spreminjajte niti ga predelujte z deli, ki jih ni dobavil proizvajalec, saj lahko s tem povzročite nestabilnost ali strukturne poškodbe,

ki jih garancija ne krije.

Če želite zagotoviti, da je vsako zaklepanje pravilno izvedeno, morate v vseh položajih jasno slišati »klik«. Če želite preveriti ustreznost zaklepanja, zagotovite, da ročaja

za prenašanje košare ne morete odklopiti z vozička, ne da bi napravo odklenili.

Košara je ustrezno nameščena na voziček, ko je varnostni pokazatelj obarvan zeleno.

Ležišče, ročaj in dno košare redno pregledujte za morebitne poškodbe in obrabo. NE uporabljajte, če je kateri koli del poškodovan, strgan ali manjka.

Otrokova glava v košari ne sme biti nikoli postavljena nižje od njegovega telesa.

Pri daljšem spanju zagotovite, da je strešica dvignjena in zaklenjena v pokončnem odprtem položaju.

Otrok v košarici ne smete pustiti brez nadzora, če je nameščeno pokrivalo za dež.

V zaprtih prostorih in v vročem vremenu morate odstraniti prevleko za dež, da preprečite pregrevanje in morebitno nevarnost zadušitve.

Ta košara je zasnovana zgolj za uporabo z otroškimi vozički UPPAbaby Vista*, Cruz, Ridge in stojalom za košaro UPPAbaby. Te košare NE uporabljajte z drugimi modeli.

*OPOMBA: Ni namenjena za uporabo z modeli UPPAbaby Vista iz leta 2014 ali starejšimi. .

⚠ OPOZORILO ZARADI NEPREVIDNOSTI LAHKO PRIDE DO POŽARA

Bodite pozorni na nevarnost požara, do katerega bi lahko prišlo, ker so v bližini košare prisotni odprti ogenj ali drugi močni viri toplote, kot so električni grelci, plinski grelci ipd.

⚠ OPOZORILO NA NEVARNOST ZADUŠITVE

Dojenčki se lahko zadušijo zaradi vrzeli med dodatno podlogo in stranico košare ali mehke posteljnine.

NIKOLI ne dodajte ležišča, blazine, odejice ali oblazinjenja. Uporabljajte zgolj podlogo, ki jo zagotovi proizvajalec.

OPOZORILO: Z izdelkom NE uporabljajte več kot enega ležišča.

Priloženo ležišče je namenjeno uporabi s košarico UPPAbaby, notranjih dimenzij 740 x 321 mm.

Če košaro postavite na mehke površine, se lahko prevrne in zaduši otroka. Košare NIKOLI ne smete postaviti na postelje, kavče ali druge mehke površine.

Pediatri z namenom zmanjšanja tveganja sindroma nenadne smrti dojenčka (SNSD) priporočajo,

da zdrave dojenčke položite na hrbet za spanje, če zdravnik ne svetuje drugače. NE dovolite, da kateri koli del senčnika ali torbe za shranjevanje košare pokrije otrokov nos ali usta.

OPOZORILO: Bodite previdni pri prenašanju otroka v košari. Pazite, da s košaro NE udarite v vrata ali druge predmete, ker lahko zaradi tega pride do resnih poškodb.

OPOZORILO: V košari NE smete pustiti nobenega predmeta. Prav tako je ne smete pustiti v bližini drugega izdelka, na katerega bi se otrok lahko oprl ali pa bi lahko ta predstavljal nevarnost zadužitve oz. davljenja, na primer nitke ali vrvice za zaveso/žaluzije.

OPOZORILO: Zaradi pregrevanja lahko pride tudi do smrti. Upoštevajte temperaturo okolice in uporabite ustrezna oblačila, da otroku ne bo premrzlo ali prevroče.

Če imate kakršna koli vprašanja glede varnosti med spanjem, se obrnite na zdravstvenega delavca.

⚠ OPOZORILO NA NEVARNOST PADCA

Da bi preprečili padce, izdelka ne uporabljajte, ko se dojenček začne dvigovati na roke in kolena ali pa doseže največjo dovoljeno težo, ki jo priporoča proizvajalec, kar nastopi prej.

Otrok lahko s svojimi gibi premakne košaro. Košare NIKOLI ne postavljajte blizu robov pultov, miz ali drugih dvignjenih površin.

Uporabljajte samo na trdni, vodoravni, ravni in suhi površini, ko je ne uporabljate na otroškem vozičku.

Košare NIKOLI ne uporabljajte za prevoz dojenčka v motornem vozilu.

Da bi se izognili resnim poškodbam ali smrti otroka, te košare nikoli ne uporabljajte kot otroški avtosedež.

Za večjo varnost otroka priporočamo uporabo prevleke na zadrgo.

Izdelano v skladu z: EN 1888-1 :2018, EN 1466:2023

Izdelano v skladu z: BS EN 1888-1 :2018, BS EN 1466:2023, BS EN 18700:2023

VAŽNO

PAŽLJIVO PROČITAJTE I SAČUVAJTE ZA BUDUĆU UPOTREBU.

UPOZORENJE

SIGURNOST DJETETA VAŠA JE ODGOVORNOST.

Ovaj je proizvod prikladan samo za dijete koje ne može samostalno sjediti, okrenuti se i ne može se odgurivati rukama i koljenima.

Maksimalna masa djeteta: 9 kg.

NEMOJTE upotrebljavati ako je bilo koji dio nosiljke slomljen, poderan ili nedostaje.

NEMOJTE dopustiti da se druga djeca igraju bez nadzora u blizini nosiljke.

Ne smiju se upotrebljavati dodatni dijelovi koje nije odobrila tvrtka UPPAbaby.

Upotrebljavajte samo zamjenske dijelove koje isporučuje ili koje je odobrila tvrtka UPPAbaby.

NEMOJTE vršiti nikakve preinake na proizvodu pomoću dijelova koje nije isporučio proizvođač jer to može uzrokovati nestabilnost ili strukturna oštećenja koja nisu pokrivena jamstvom.

Mora se čuti „klik“ kako biste bili sigurni da je svaki blokirajući mehanizam u ispravnom položaju. Kako biste osigurali pravilno zaključavanje, pobrinite se da se nosiljka / drška za nošenje

ne mogu odvojiti od kolica bez otključavanja uređaja.

Provjerite je li sigurnosni indikator zelen kako biste bili sigurni da je nosiljka pravilno postavljena.

Redovito provjeravajte ima li znakova oštećenja i trošenja na madracu, dršci i dnu nosiljke. NEMOJTE upotrebljavati ako je bilo koji dio slomljen, poderan ili nedostaje.

Glava djeteta u nosiljci nikada ne smije biti postavljena niže od djetetova tijela.

Za produženi san provjerite je li pokrov podignut i zaključan u uspravnom, otvorenom položaju.

Djeca se ne smiju ostavljati bez nadzora u nosiljci s postavljenim pokrovom za zaštitu od kiše.

Pokrov za zaštitu od kiše mora se ukloniti u zatvorenom prostoru i po toplom vremenu kako bi se spriječilo pregrijavanje i mogući rizik od gušenja.

Ova nosiljka dizajnirana je samo za upotrebu s kolicima UPPAbaby Vista*, Cruz, Ridge i postoljem za nosiljku UPPAbaby. NEMOJTE upotrebljavati ovu nosiljku s drugim modelima.

*NAPOMENA: nije namijenjena za upotrebu s modelima UPPAbaby Vista iz 2014. ili starijim.

⚠ UPOZORENJE NEPAŽNJA UZROKUJE POŽAR

Budite svjesni rizika od otvorene vatre i drugih izvora jake topline, kao što su požari uzrokovani električnim vodičima, plinski požari itd. u blizini nosiljke.

⚠ UPOZORENJE O OPASNOSTI OD GUŠENJA

Djeca se mogu ugušiti u procjepima između dodatnog jastučića i bočne strane nosiljke ili mekane presvlake.

NIKADA nemojte dodavati madrac, jastuk, pokrivač ili podlogu. Upotrebljavajte ISKLJUČIVO jastučić koji je isporučio proizvođač.

UPOZORENJE: NEMOJTE upotrebljavati više od jednog madraca na proizvodu.

Priloženi madrac namijenjen je za upotrebu s kolijevkom UPPAbaby s dimenzijama unutarnje baze od 740 mm x 321 mm.

Nosiljka za bebe može se prevrnuti na mekim površinama i ugušiti bebu.

NIKADA ne stavljajte nosiljku na krevetu, sofa ili drugoj mekanj površini.

Kako bi se smanjio rizik od sindroma iznenadne smrti bebe (SIDS), pedijatri preporučuju da se zdrava djeca polože

na leđa za spavanje, osim ako liječnik ne savjetuje drugačije..

NE dopustite da bilo koji dio suncobrana ili torbe za nosiljku pokrije nos ili usta djeteta.

UPOZORENJE: Budite oprezni pri prijevozu djeteta u kolicima. NEMOJTE udarati nosiljkom o vrata ili druge predmete jer to može dovesti do ozbiljnih ozljeda.

UPOZORENJE: NEMOJTE ostavljati ništa u nosiljci ili stavljati nosiljku blizu drugog proizvoda koji bi mogao pružiti uporište ili predstavljati opasnost od gušenja ili davljenja, npr. uzice, rolete ili zavjese.

UPOZORENJE: Pregrijavanje može dovesti do smrti. Uzmite u obzir temperaturu okoline i odjeću kako biste bili sigurni da djetetu nije previše hladno ili toplo.

Ako imate bilo kakvih pitanja o sigurnom spavanju, obratite se zdravstvenom djelatniku.

⚠ UPOZORENJE O OPASNOSTI OD PADA

Kako biste spriječili padove, nemojte upotrebljavati ovaj proizvod kada se beba počne podizati na rukama i koljenima ili kada dosegne maksimalnu masu koju preporučuje proizvođač, što god od toga nastupi prije.

Pokret djeteta može pomaknuti nosiljku. NIKADA ne stavljajte nosiljku blizu rubova ploča, stolova ili drugih izdignutih površina.

Upotrebljavajte samo na čvrstoj, vodoravnoj, ravnoj i suhoj površini kada se ne upotrebljava s kolicima.

NIKADA nemojte upotrebljavati nosiljku kao sredstvo za prijevoz bebe u motornom vozilu.

Kako biste izbjegli ozbiljne ozljede ili smrt djeteta, nemojte upotrebljavati ovu nosiljku kao autosjedalicu.

Za dodatnu sigurnost djeteta preporučuje se upotreba pokrova nosiljke.

Proizvedeno u skladu s: EN 1888-1:2018 i EN 1466:2023.

Proizvedeno u skladu s: BS EN 1888-1:2018, BS EN 1466:2023 i BS EN 18700:2023.

▲ FONTOS

OLVASSA EL FIGYELMESEN, ÉS ŐRIZZE MEG, MERT KÉSŐBB SZÜKSÉGE LEHET RÁ.

▲ FIGYELEM

A GYERMEK BIZTONSÁGA AZ ÖN FELELŐSSÉGE.

Ez a termék csak olyan gyermek számára alkalmas, aki nem tud segítség nélkül felülni, megfordulni, és nem tud négykézlábra állni.

A gyermek maximális súlya: 9 kg.

NE használja, ha a mózeskosár bármely része törött, szakadt vagy hiányzik.

NE hagyja, hogy más gyermekek felügyelet nélkül játszanak a mózeskosár közelében.

CSAK az UPPAbaby által jóváhagyott tartozékokkal használja.

Csak az UPPAbaby által szállított vagy jóváhagyott cserealkatrészeket használjon.

NE végezzen semmilyen változtatást vagy módosítást a terméken nem a gyártó által szállított alkatrészekkel, mivel ez instabilitást vagy szerkezeti károkat okozhat,

amelyre nem terjed ki a jótállás.

Hallható kattánás jelzi, amikor az egyes zárok megfelelő helyzetben vannak. A megfelelő reteszelés biztosítása érdekében ellenőrizze, hogy a mózeskosarat/hordozófület nem lehet leoldani a babakocsiról a készülék kioldása nélkül.

Ellenőrizze, hogy a biztonsági jelzés zöld színű legyen, mert ez jelzi, hogy a mózeskosár megfelelően van felszerelve.

Rendszeresen ellenőrizze, hogy nem látszik-e sérülés vagy kopás a matracon, a hordozófülön és a mózeskosár alján. NE használja, ha bármelyik alkatrész törött, szakadt vagy hiányzik.

A mózeskosárban a gyermek feje soha nem lehet alacsonyabban, mint a gyermek teste.

Hosszabb alvás esetén győződjön meg róla, hogy a naptető fel legyen húzva és függőleges helyzetben legyen rögzítve.

A gyermekeket nem szabad felügyelet nélkül hagyni az esővédővel felszerelt mózeskosárban.

A túlmelegedés és az esetleges fulladásveszély elkerülése érdekében az esővédő huzatot le kell venni beltérben és meleg időben.

Ezt a mózeskosarat csak az UPPAbaby Vista babakocsikkal*, a Cruz babakocsikkal, a Ridge babakocsikkal és az UPPAbaby mózeskosárállvánnyal való használatra tervezték. NE használja ezt a mózeskosarat más modellekkel.

*MEGJEGYZÉS: Nem használható 2014-es vagy korábbi UPPAbaby Vista modellekkel.

▲ FIGYELEMA GONDATLANSÁG TÜZET OKOZHAT

Ügyeljen a nyílt tűz és más erős hőforrások veszélyére, hogy ne legyen például elektromos hőszugárzó, gázégő stb. a mózeskosár közelében.

▲ FIGYELEM – FULLADÁSVESZÉLY

A csecsemők megfulladhatnak az extra ágybetét és a mózeskosár oldala közötti résekben vagy a puha ágyneműben.

SOHA ne tegyen bele matracot, párnát, paplant vagy szivacsot. CSAK a gyártó által biztosított betétet használja.

FIGYELEM: NE használjon egynél több matracot a termékben.

A mellékelt matrac a 740 mm x 321 mm belső alaplátméretű UPPAbaby mózeskosárhoz használható.

Puha felületeken a mózeskosár felborulhat és megfojthatja a gyermeket. SOHA ne helyezze a mózeskosarat ágyra, kanapéra vagy más puha felületre.

A hirtelen csecsemőhalál kockázatának csökkentése érdekében a gyermekorvosok azt javasolják,

hogy az egészséges csecsemőket hanyatt fektetve altassuk, hacsak az orvos másként nem tanácsolja.

NE engedje, hogy az árnyékoló vagy a mózeskosár tárolótáskájának bármely része eltakarja a gyermek orrát vagy száját.

FIGYELEM: Legyen óvatos, amikor a mózeskosárban szállítja gyermekét. NE üsse a mózeskosarat az ajtófélfához vagy más tárgyakkhoz, mert ez súlyos sérülést okozhat.

FIGYELEM: NE hagyjon semmit a mózeskosárban, és NE helyezze a mózeskosarat más termék közelébe, amely kapaszkodót vagy fulladásveszélyt jelenthet, pl. zsinórok, redőny-/függönyzsinórok.

FIGYELEM: A túlmelegedés halált okozhat. Vegye figyelembe a környezeti hőmérsékletet és a ruházatot, hogy a gyermek ne fázzon vagy ne legyen túl melege.

Ha bármilyen kérdése van a biztonságos alvással kapcsolatban, forduljon egészségügyi szakemberhez.

▲ FIGYELEM – LEESÉSVESZÉLY

Az esések megelőzése érdekében ne használja ezt a terméket, ha a csecsemő már négykézlábra áll, vagy ha elérte a gyártó által ajánlott maximális súlyt, attól függően, hogy melyik következik be előbb.

A gyermek mozgásától megcsúszhat a mózeskosár. SOHA ne helyezze a mózeskosarat pult, asztal vagy más magasított felület szélé közelébe.

Csak szilárd, vízszintes, sík és száraz felületen használja, ha nem a babakocsival használja.

SOHA ne használja a mózeskosarat csecsemő gépjárműben történő szállítására.

Gyermeke súlyos sérülésének vagy halálának elkerülése érdekében ne használja ezt a mózeskosarat autós ágyként.

Gyermeke nagyobb biztonsága érdekében a mózeskosár fedelét is javasolt használni.

A következő szabványnak megfelelően gyártva: EN 1888-1 :2018, EN 1466:2023

A következő szabványnak megfelelően gyártva: BS EN 1888-1 :2018, BS EN 1466:2023, BS EN 18700:2023

▲VAŽNO

PAŽLJIVO PROČITAJTE I SAČUVAJTE ZA BUDUĆU UPOTREBU.

▲UPOZORENJE

VI STE ODGOVORNI ZA BEZBEDNOST DETETA.

Ovaj proizvod je pogodan samo za dete koje ne može da sedi bez pomoći, prevrne se i ne može da se podigne na rukama i kolenima.

Maksimalna težina deteta: 9 kg.

NEMOJTE koristiti ako je bilo koji deo nosiljke polomljen, pocepan ili nedostaje.

NEMOJTE dozvoliti drugoj deci da se igraju bez nadzora u blizini nosiljke.

Ne treba koristiti dodatnu opremu koju nije odobrila kompanija UPPAbaby.

Koristite isključivo zamenske delove koje isporučuje ili odobrava kompanija UPPAbaby.

NEMOJTE praviti nikakve izmene ili modifikacije na proizvodu delovima koje nije isporučio proizvođač jer to može izazvati nestabilnost ili strukturna oštećenja koja nisu pokrivena garancijom.

Mora se čuti zvuk „klik“ kako bi se utvrdilo da li je svaka brava u odgovarajućem položaju. Da biste osigurali pravilno zaključavanje, proverite da li se prenosna ležaljka/ ručka za nošenje ne mogu odvojiti od kolicica bez otključavanja uređaja.

Proverite da li je bezbednosni indikator zelen kako biste bili sigurni da je nosiljka pravilno postavljena.

Redovno proveravajte da li na dušek, ručki i dnu nosiljke ima znakova oštećenja i habanja. **NEMOJTE** koristiti ako je bilo koji deo polomljen, pocepan ili nedostaje.

Glava deteta u nosiljci nikada ne sme biti niža od tela deteta.

Za produženi san, uverite se da je nadstrešnica podignuta i zaključana u uspravnom otvorenom položaju.

Decu ne treba ostavljati bez nadzora u nosiljci sa postavljenom navlakom za kišu.

Navlaka za kišu mora biti uklonjena u zatvorenom prostoru i po toplom vremenu kako bi se sprečilo pregrevanje i mogući rizik od gušenja.

Ova nosiljka je dizajnirana da se koristi samo sa UPPAbaby Vista kolicima*, Cruz kolicima, Ridge kolicima i UPPAbaby Carrycot postoljem. **NEMOJTE** koristiti ovu nosiljku sa drugim modelima.

*NAPOMENA: Nije namenjena za upotrebu sa modelima UPPAbaby Vista iz 2014. godine ili starijim.

⚠ UPOZORENJE NEPAŽNJA IZAZIVA POŽAR

Imajte u vidu rizik od otvorenog plamena i drugih izvora jake toplote, kao što su električni požari, gasni požari itd. u neposrednoj blizini nosiljke.

⚠ UPOZORENJE OPASNOST OD GUŠENJA

Odojčad se može ugušiti u međuprostorima između dodatne podloge i bočne strane nosiljke ili na mekoj posteljini.

NIKADA nemojte dodavati dušek, jastuk, jorgan ili podlogu. Koristite ISKLJUČIVO priloženu podlogu od strane proizvođača.

UPOZORENJE: NEMOJTE koristiti više od jednog dušeka u proizvodu.

Priloženi dušek je predviđen za upotrebu sa UPPAbaby kolevkom unutrašnjih dimenzija osnove 740 mm x 321 mm

Nosiljka za bebe može da se prevrne na mekim površinama i uguši dete.

NIKADA NE stavljajte nosiljku na krevete, kauče ili druge meke površine.

Da bi se smanjio rizik od SIDS (Sindroma iznenadne smrti odojčeta), pedijatri preporučuju da se zdrava odojčad stave da spavaju na leđima, osim ako lekar ne savetuje drugačije.

NE dozvolite da bilo koji deo štitnika od Sunca ili torbe za odlaganje nosiljke pokrije nos ili usta deteta.

UPOZORENJE: Budite oprezni prilikom transporta deteta u kolevci. NEMOJTE udarati nosiljku po vratima ili drugim predmetima jer to može dovesti do ozbiljnih povreda.

UPOZORENJE: NEMOJTE ostavljati ništa u krevetiću ili stavljati krevetić blizu drugog proizvoda koji bi mogao da pruži uporište ili predstavljati opasnost od gušenja ili davljenja, npr. žice, kablovi za venecijanere/zavesu.

UPOZORENJE: Pregrevanje može dovesti do smrti. Uzmite u obzir temperaturu okoline i odeću kako biste bili sigurni da detetu nije previše hladno ili previše toplo.

Ako imate bilo kakvih pitanja o bezbednom spavanju, obratite se zdravstvenom radniku.

⚠ UPOZORENJE NA OPASNOST OD PADA

Da biste sprečili padove, nemojte koristiti ovaj proizvod kada beba počne da gura nagore šake i kolena ili kada dostigne maksimalnu težinu koju preporučuje proizvođač, u zavisnosti od toga šta nastupi ranije.

Pokret deteta može da pomera nosiljku. NIKADA NE postavljajte nosiljku blizu ivica vrhova radnih delova, stolova ili drugih podignutih površina.

Koristite samo na čvrstoj, horizontalnoj, ravnoj i suvoj površini kada se ne koristi sakolicima.

NIKADA NE koristite nosiljku kao sredstvo za prevoz bebe u motornom vozilu.

Da biste izbegli ozbiljne povrede ili smrt vašeg deteta, nemojte koristiti ovu nosiljku kao krevet u automobilu.

Preporučuje se upotreba navlake za nosiljku radi dodatne bezbednosti vašeg deteta.

Proizvedeno u skladu sa standardima: EN 1888-1 :2018, EN 1466:2023

Proizvedeno u skladu sa standardima: BS EN 1888-1 :2018, BS EN 1466:2023, BS EN 18700:2023

يمكن أن يتدحرج حامل سرير الوليد المحمول على الأسطح اللينة ويتسبب في اختناق الطفل. لا تقم أبدًا بوضع سرير الوليد المحمول على أسرّة، أو أرائك، أو أي أسطح أخرى لينة. ولتقليل مخاطر متلازمة موت الرضع الفجائي، يوصى أطباء الأطفال وضع الرضع على ظهرهم للنوم، إلا في حالة طلب طبيب آخر عدم القيام بذلك. لا تسمح لأي جزء من الشمسية أو حقيبة تخزين سرير الوليد المحمول بتغطية أنف الطفل أو فمه.

⚠️ تحذير الخطر التام

لمنع السقوط، لا تستخدم هذا المنتج عند بدء الطفل في دفع نفسه لأعلى على يديه أو ركبتيه أو وصوله إلى طول القامة الأقصى الذي توصي به الشركة الصانعة، 9 كجم، أيهما يحل أولاً. يمكن أن تتسبب حركة الطفل في انزلاق سرير الوليد المحمول. لا تقم أبدًا بوضع سرير الوليد المحمول على طاوولات، أو منضدات، أو أي أسطح أخرى عالية. يجب الاستخدام على سطح جاف وثابت وأفقي ومستوي فقط عند عدم استخدام كرسي عربة الأطفال. لا تستخدم سرير الوليد المحمول أبدًا كوسيلة لنقل الرضيع في عربة متحركة. ولتجنب حدوث إصابة خطيرة للطفل أو وفاته، لا تستخدم سرير الوليد المحمول هذا على سرير يوضع في السيارة. يوصى باستخدام غطاء سرير الوليد المحمول لزيادة أمان الطفل. تحذير: توحّ حذرًا عند نقل الطفل في السرير. لا تدفع السرير إلى المداخل أو أي أشياء أخرى، فقد يؤدي ذلك إلى إصابة خطيرة. تحذير: لا تترك أي شيء في سرير الأطفال أو تضعه بالقرب من منتج آخر، يمكن أن تثبت فيه القدم أو به خطر الاختناق أو انعدام التنفس، مثل السلاسل، وأسلاك/حبال الستائر. تحذير: يمكن أن يؤدي ارتفاع درجة الحرارة إلى الوفاة. ضع في اعتبارك درجة الحرارة المحيطة والملابس لضمان عدم برودة الطفل أو دفئه. إذا كانت لديك أي أسئلة حول النوم الآمن، فاتصل بأخصائي صحي.

⚠️ تحذير الإهمال يسبب حدوث حريق

انتبه إلى خطورة حدوث حريق مفتوح ومصادر السخونة الشديدة الأخرى، مثل الأفران الكهربائية، وأفران الغاز وما إلى ذلك، بالقرب من سرير الوليد المحمول.

تم التصنيع مع الامتثال لمواصفات: EN 1466:2023, 2018: 1-EN 1888

تم التصنيع مع الامتثال لمواصفات: BS EN 1466:2023, BS EN 18700:2023, 2018: 1-BS EN 1888

⚠️ هام

يجب الاحتفاظ بالتعليمات للرجوع إليها في المستقبل. يجب دائماً قراءة التعليمات بعناية. قبل الاستخدام. فقد تتأثر سلامة الطفل في حالة عدم اتباع تلك التعليمات

⚠️ تحذير

تعتبر سلامة الطفل مسؤوليتك الخاصة.

هذا المنتج مناسب فقط للطفل الذي لا يستطيع الجلوس بلا مساعدة، والتدحرج، ودفع نفسه لأعلى على يديه وركبتيه.

أقصى وزن للطفل: 9 كجم.

لا تستخدم أي جزء في سرير الوليد المحمول إذا كان مكسوراً أو تالفاً أو غير موجود.

لا تترك أطفالاً آخرين يلعبون بالقرب من سرير الوليد المحمول.

ويجب عدم استخدام ملحقات خلاف المعتمدة بواسطة شركة UPPAbaby.

يجب استخدام قطع الغيار التي توفرها UPPAbaby أو المعتمدة من قبلها فقط عند الاستبدال.

لا تقم بإجراء تعديلات أو تغييرات على المنتج باستخدام أجزاء غير موردة من الشركة الصانعة، لأن ذلك يمكن أن يتسبب في عدم الاستقرار أو حدوث تلف هيكلي لا يغطيه الضمان.

يجب سماع صوت "تكة" للتأكد من تواجد كل قفل في الوضع الصحيح. وللتأكد من تعشيق الأقفال بشكل صحيح، تحقق للتأكد أنه لا يمكن انفصال سرير الوليد المحمول/ مقبض الحمل عن عربة الرضع بدون فتح الجهاز.

تحقق أن مؤشر السلامة باللون الأخضر لضمان تركيب سرير الوليد المحمول بشكل صحيح.

تحقق من المقبض والجزء السفلي من سرير الوليد المحمول بشكل دوري بحثاً عن علامات للتلف والبلل.

يجب ألا يكون رأس الطفل في سرير الوليد المحمول أقل من جسمه دائماً.

وللنوم لوقت ممتد، تأكد من رفع المظلة وقفلها في موضع الفتح الرأسي.

يجب عدم ترك الأطفال دون مراقبة عند وضعهم في سرير الوليد المحمول مع فرد غطاء الوقاية من المطر.

يجب فك غطاء الوقاية من المطر عند التواجد في الأماكن الداخلية وفي الأجواء الحارة لمنع الزيادة المفرطة للحرارة والخطورة المحتملة للاختناق.

تم تصميم سرير الأطفال المحمول هذا للاستخدام مع عربات الأطفال UPPAbaby Vista*، وCruz، و Ridge، وحامل سرير الأطفال المحمول UPPAbaby فقط. لا تستخدم سرير الأطفال المحمول هذا مع أي طرازات أخرى.

*ملحوظة: غير مُخصص للاستخدام مع طرازات UPPAbaby Vista من إنتاج عام 2014 أو ما قبله.

⚠️ تحذير خطر الاختناق

قد يصاب الرضع بالاختناق في الفجوات بين الوسادة الإضافية وجانب سرير الوليد المحمول أو على الحشية اللينة.

لا تقم أبداً بإضافة حشية أو وسادة أو لحاف. يجب استخدام الوسادة التي توفرها جهة التصنيع فقط.

מרכבי שכיבה של פעוטות עלולים להתהפך על גבי משטחים רכים ולהביא לחנק של הפעוט. לעולם אין להניח מרכבי שכיבה על מיטות, ספות או משטחים רכים אחרים.

על מנת להפחית את הסיכון של מוות בעריסה, רופאי ילדים ממליצים להציב תינוקות בריאים לישון על גבם, אלא אם ניתנה הוראה אחרת של הרופא המטפל.

אין לאפשר לחלק כלשהו של גגון השמש או של תיק האחסון של מרכב השכיבה לכסות את האף או הפה.

▲ אזהרה סכנת נפילה

על מנת למנוע נפילות, אין להשתמש במוצר זה לאחר שהתינוק מתחיל לדחוף את עצמו על הידיים והברכיים או כאשר התינוק הגיע למשקל המרבי המומלץ על ידי היצרן, המוקדם השניים. תנועות התינוק עלולות להביא לגלישת מרכב השכיבה. לעולם אין להציב מרכב שכיבה בקרבת קצוות משטחים, שולחנות או משטחים מוגבהים אחרים.

כאשר לא בשימוש עם הטיולון, יש להשתמש רק על גבי משטח יציב, מאוזן, מפולס ויבש.

לעולם אין להשתמש במרכב השכיבה כאמצעי להסעת פעוט בכלי רכב.

על מנת למנוע גרימת פציעות קשות או מוות לפעוט שלך, אין להשתמש במרכב שכיבה זה כמי-טת תינוק במכונית.

מומלץ להשתמש בכיסוי הבטיחות של מרכב שכיבה על מנת להוסיף בטיחות לפעוט שלך.

אזהרה: היזהר בעת הובלת ילד בעריסה. אין להכות בעריסה על דלתות או חפצים אחרים, הדבר עלול לגרום לפציעה חמורה.

אזהרה: אין להשאיר דבר בלול הטיולים הנייד לפעוטות Cot או למקם אותו קרוב למוצר אחר שעלול לשמש כמאחז הרגל או ליצור סכנה של חנק, למשל חוטים, חבלים לוילון.

אזהרה: התחממות יתר עלולה לגרום למוות. יש לקחת בחשבון את טמפרטורת הסביבה ואת הבגדים כדי להבטיח שהילד לא יהיה קר מדי או חם מדי.

במקרה של שאלות לגבי שינה בטוחה, יש ליצור קשר עם איש מקצוע בתחום הבריאות.

▲ אזהרה חוסר זהירות גורמת לדליקות

יש להיות מודעים לסכנת אש גלויה ומקורות אחרים של חום משמעותי כגון דליקות של לוחות חשמל, גז וכד' בקרבת מרכב שכיבה.

ימיוצר בתאימות ל: EN 1466:2023, EN 1888-1:2018
 ימיוצר בתאימות ל: BS EN 1466:2023, BS EN 18700:2023, BS EN 1888-1:2018

מיובא ע"י: פופון בע"מ, החרושת 19, מרכז קידר, רעננה | מיוצר בסין.
 טלפון: 03-642253 | info@poupon.co.il

▲ חשוב

יש לשמור על ההנחיות לשימוש עתידי. יש לקרוא את ההנחיות בתשומת לב לפני השימוש. בטיחות ילדך עשויה להיות מושפעת באופן שלילי אם לא תפעל/י לפי ההנחיות.

▲ אזהרה

בטיחותו של ילדך בידיך.

מוצר זה מותאם רק לילד שאינו יכול לשבת בכוחות עצמו, להתהפך בכוחות עצמו או לדחוף את עצמו כלפי מעלה על ידיו וברכיו.

משקל הילד המרבי: 9 ק"ג.

אסור לשימוש אם חלק כשלהו ממרכב השכיבה שבור, קרוע או חסר.

אסור לאפשר לילדים אחרים לשחק ללא השגחה ליד מרכב שכיבה.

אין להשתמש באביזרים שאינם מאושרים על ידי UPPAbaby.

יש להשתמש רק בחלפים שסופקו על ידי UPPAbaby או שאושרו על ידם.

אסור להכניס למוצר שינויים או התאמות כלשהם באמצעות חלקים שלא סופקו על ידי היצרן, מכיוון שאלה עלולים לגרום לחוסר יציבות או לנזק למבנה, שלא יהיו מכוסים על ידי אחריות כלשהי.

קליק ברור יישמע על מנת לאפשר לך לקבוע שכל נעילה נמצאת במקום הנכון. על מנת לוודא חיבור נעול כהלכה, יש לבדוק שמרכב השכיבה/ידיית הנשיאה אינה יכולה להתנתק מהעריסה בלי לפתוח את נעילת המכשיר.

על מנת להבטיח שמרכב השכיבה מותקן כהלכה, יש לבדוק שסמן הבטיחות ירוק.

יש לבדוק את הידיית והתחתית של מרכב השכיבה באופן קבוע לכל סימן של נזק או בלייה.

אסור להנמיך את ראש הילד כשהוא שכוב במרכב השכיבה אל מתחת לגובה שאר הגוף.

לשינה ממושכת, ודאו שהגגון מורם ונעול במצב מורם ופתוח.

אין להשאיר ילדים ללא השגחה במרכב השכיבה כשמגן הגשם מותקן.

יש להסיר את מגן הגשם כאשר נכנסים למבנה ובמזג אוויר חם על מנת למנוע התחממות-יתר וסכנה אפשרית לחנק.

תיק נשיאה זה מיועד לשימוש עם עגלות UPPAbaby Vista *, עגלות Cruz, עגלות Ridge ומעמד תיק נשיאה UPPAbaby בלבד. אין להשתמש בכלי נשיאה זה עם דגמים אחרים.

*הערה: לא מיועד לשימוש עם דגמי UPPAbaby Vista מ-2014 או קודם לכן.

▲ אזהרה סכנת חנק

פעוטות עלולים להיחנק במרווחים שבין הריפוד הנוסף לציודו של מרכב השכיבה או בריפוד המיטה הרך.

לעולם אין להוסיף מזרן, כרית, שמיכה או ריפוד. יש להשתמש אך ורק במשטח שסופק על ידי היצרן

▲ Keep these instructions for future reference.

▲ WARNING

FAILURE TO FOLLOW THESE WARNINGS AND INSTRUCTIONS COULD RESULT IN SERIOUS INJURY OR DEATH.

NEVER use this carrier as a means to transport an infant in a motor vehicle.

Use of bassinet boot cover is recommended for added safety of your child.

The bassinet should only be placed on a low, dry, firm horizontal surface when not in use with stroller or bassinet stand.

NEVER place carrier on beds, sofas or other soft surfaces.

DO NOT permit other children to play unsupervised next to the bassinet.

Open flames and other sources of heat, such as electric heaters, gas ovens, etc. in the immediate vicinity of the bassinet are dangerous and should be avoided.

DO NOT use the bassinet if it is damaged or broken.

Mattress with a thickness exceeding 24mm should not be added to the carrycot

This bassinet is designed to be used with the UPPAbaby Vista strollers*, Cruz strollers, Ridge strollers, and UPPAbaby Bassinet Stand only. DO NOT use this bassinet with any other models.

*NOTE: Not intended for use with UPPAbaby Vista models from 2014 or earlier.

▲ FALL HAZARD

To help prevent falls, DO NOT use this product when the infant begins to push up on hands and knees or has reached manufacturer's recommended maximum weight 9 kg, whichever comes first.

Always check that the bassinet is securely locked on the stroller by pulling upwards on the bassinet bed, before placing the child in the bassinet.

Child's activity can move carrier. NEVER place carrier on counter tops, tables, or any other elevated surface.

This bassinet is intended to be used with one child only.

Bassinet is suitable for infants from birth to 6 months, or until child is 9 kg, whichever comes first.

Audible "click" must be heard in order to determine that each lock is in the proper position.

To ensure proper locking engagement, check to see that the bassinet handle cannot be disengaged from the stroller without unlocking the device.

Check that safety indicator is green to ensure bassinet is properly installed.

⚠️ WARNING SUFFOCATION HAZARD

Infants have suffocated in gaps between extra padding and side of bassinet, and on soft bedding.

Use only the pad provided by manufacturer. NEVER add a pillow, comforter, or another mattress for padding.

If a sheet is used with the pad, use only the one provided by the bassinet manufacturer or one specifically designed to fit the dimension of the bassinet.

To reduce the risk of SIDS, pediatricians recommend healthy infants be placed on their backs to sleep, unless otherwise advised by your physician.

DO NOT allow any part of the sunshade or bassinet storage bag to cover a child's nose or mouth.

For extended sleep, make sure canopy is raised and locked in upright open position.

Infant carrier can roll over on soft surfaces and suffocate child. NEVER place carrier on beds.

NEVER allow child to sleep in bassinet unattended sofas, or other soft surfaces.

Bassinet must be removed to fold stroller.

The carrycot should be locked in the fixed position when a child is unsupervised in it.

The carrycot should be placed on a horizontal floor.

⚠️ STRANGULATION WARNING

Strings can cause strangulation! DO NOT place items with a string around a child's neck, such as hood strings or pacifier cords. DO NOT suspend strings over a bassinet or cradle or attach strings to toys.

Manufactured to comply with: China GB 14748-2006.

▲警告

使用前请仔细阅读本说明书并且妥善保存供以后参照。
不按照警语及使用说明操作推车可能导致严重伤害甚至死亡！

不能在机动车上使用睡篮。

使用睡篮时建议同时使用脚罩以增加婴儿安全性。

当不在推车或睡篮架上使用睡篮时，请将睡篮放置在水平，干燥和稳固的地面。

请勿将睡篮放置在床上，沙发或其它柔软表面。

请勿让无人看管的儿童在睡篮旁边玩耍。

请避免在睡篮附近使用明火或其它热源，如电加热器或煤气炉。

睡篮破损时请停止使用。

睡篮内不应增加厚度超过 24mm 的棉垫。

本睡篮仅可搭配 UppaBaby Vista 婴儿车*、Cruz 婴儿车、Ridge 婴儿车和 UppaBaby 睡篮支架使用。请勿在其他型号上使用本睡篮。

不适用于 2014 年或更早版本的 UPPAbaby Vista 型号。

▲跌落危险

为避免跌落，当婴儿开始借助双手或双膝爬起，
或婴儿体重达到制造商建议最大重量9公斤 时请停止使用睡篮。以先到者为准

将婴儿放入睡篮前请务必确认睡篮已正确卡合在推车上。

婴儿的活动可能使睡篮发生移动。请勿将睡篮放置在柜台，
桌面或其它任一较高位置。

本睡篮仅供一个孩子使用。

睡篮适用于0到6个月，体重不超过9公斤 的儿童，
以先达到者为准。

各部位正确卡合后应能听到清晰的“咔嗒”声。睡篮正确卡合在推车判定方法：不释放提把锁，如果睡篮提把不会从推车架架上脱离，
则可判定睡篮已正确卡合在了车架上。

检查安全指示器是否呈绿色，确保睡篮已正确安装。

收合推车前请将睡篮取下。

▲警告窒息危险

偶有发生婴儿在附加睡垫与睡篮侧面之间的间隙以及过软的睡垫上窒息的案例。

禁止使用非UPPAbaby提供的附件。

如果将床单与床垫一起使用,则只能使用摇篮制造商提供的床单或专为适合摇篮尺寸而设计的床单。

为减少SIDS(婴儿猝死综合症)风险,儿科医师建议健康的婴儿应仰卧睡眠,除非您的医师有其它的建议。

为防止窒息,请勿让睡篮存储袋的任何部分遮住儿童的鼻子或嘴巴。

为了延长睡眠时间,确保升起顶篷,且锁定以保证处于竖直打开状态。

睡篮可能会在柔软表面滚动引发窒息。请勿将睡篮置于床,沙发或者其它柔软表面上。

不可在无人看护的情况下让孩子在本产品中入睡。

当儿童无人看管时,应将手提式婴儿床锁定在固定位置。

手提式婴儿床应放在水平地板上。

▲勒颈危险

绳索可能导致勒颈危害!请勿将带绳索的物品放置在婴儿颈脖周围,如头绳,安抚奶嘴挂绳等。请勿在睡篮或摇篮上吊挂绳索,或带绳索的玩具。

本产品型号:0903-BAS-CN

按照以下标准设计和制造:

GB 14748-2006 儿童推车安全要求

中国 CCC 认证

CLEANING

Clean frame/chassis with a damp cloth and a mild detergent; dry thoroughly. DO NOT use abrasives.

To extend the life of your product's fabric, keep it clean and do not leave it in direct sunlight for long periods of time.

DO NOT fold or store the product if it is damp or wet, nor store in a damp environment.

OUTER BASSINET

Spot clean or hand wash in cold water with mild detergent. DO NOT bleach.

Dry flat and away from direct sunlight before re-use or storage.

DO NOT iron or dry clean.

INNER BASSINET

Machine wash cold gentle cycle with mild detergent. DO NOT bleach.

Dry flat and away from direct sunlight before re-use or storage.

DO NOT iron or dry clean.

MAINTENANCE AND REPAIR

This product requires user inspection and maintenance regularly. Check all connecting hardware (rivets, screws, etc.) for tightness and security. Inspect all brakes, tires, seat harnesses and locks for correct operation. Seek prompt repairs or replacements as needed and never continue using the product if it is structurally not safe.

Only UPPAbaby replacement parts should be used. It may be unsafe to use parts supplied by another manufacturer.

Contact Customer Service with any repair questions.

3 YEAR LIMITED WARRANTY

Your UPPAbaby product is warranted to be free from manufacturing defects for a period of 3 years from the date of purchase under normal use and in compliance with the operating instructions.

This warranty is not transferable and extends only to the original retail purchaser and is only valid when supplied with proof of purchase from an authorized retailer. Proof of purchase must be retained for this warranty.

The warranty is valid only in the original country of purchase. This warranty is subject to the conditions set forth by country in which the items were purchased. Conditions may vary. UPPAbaby will not ship replacement or repair parts outside the country of purchase.

UPPAbaby will provide replacement parts or conduct repairs as determined fitting by the company. UPPAbaby reserves the right to exchange item with a replacement part. Some parts may be replaced with newer model parts as the item is improved over time.

This warranty does not cover:

- Defects caused by misuse or poor maintenance. (Please refer to the product instruction booklet for guidance on item use and maintenance).
- Damage caused by improper installation of UPPAbaby parts and/or accessories. (Please refer to product instruction booklet for guidance on item assembly and use).
- Damage caused by corrosion mold or rust due to poor maintenance, service or storage.
- Damage resulting from normal wear and tear.
- Damage or degradation caused by the sun, sweat, detergents, damp storage conditions or frequent washings.
- Repairs or modifications carried out by a third party.
- Product purchased from an unauthorized retailer. (Approved retailers are listed on our website uppababy.com).
- Second owners and users other than the registrant.
- Damage resulting from airline shipping and handling.
- Products Involved in an accident.

UPPAbaby reserves the right to determine if warranty terms and conditions have been met.

For warranty service: In the US* and CA please contact UPPAbaby customer experience (844) 823-3132 and visit uppababy.com/support to send an email.

*Within the US, warranty conditions may differ from state to state.

Outside of the US and CA please contact your local distributor. Distributor information can be found at uppababy.com/global-distributors.



LIMPIEZA

Limpie el chasis con un trapo húmedo y un detergente suave; séquelo bien. NO use abrasivos.

Para ampliar la vida de la tela de su producto, manténgala limpia y no la deje en el sol directo durante largos periodos de tiempo.

NO pliegue ni guarde el producto si está húmedo o mojado, ni lo almacene en un entorno con humedad

EXTERIOR DEL CAPAZO

Limpie las manchas o lave en agua fría con detergente suave. NO use lejía.

Seque en una superficie plana alejada de la exposición solar directa antes de volver a usar o almacenar el producto.

No lo planche ni lo lave en seco.

INTERIOR DEL CAPAZO

Lave a máquina con agua fría en el ciclo delicado con detergente suave. No use lejía.

Seque en una superficie plana alejada de la exposición solar directa antes de volver a usar o almacenar el producto.

No lo planche ni lo lave en seco.

MANTENIMIENTO Y REPARACIÓN

Este producto necesita inspección y mantenimiento regular por parte del usuario. Compruebe todas las piezas xde conexión (remaches, tornillos, etc.) para comprobar que estén apretadas y seguras. Revise que todos los frenos, neumáticos, cierres y arneses de la hamaca funcionan correctamente. Realice las reparaciones o sustituciones necesarias y no continúe usando el producto si la estructura no es segura.

Solo deben emplearse piezas de repuesto UPPAbaby. Usar piezas suministradas por otros fabricantes puede noresultar seguro.

Póngase en contacto con el Servicio al Cliente si tiene preguntas sobre reparaciones.

3 AÑOS DE GARANTÍA LIMITADA

Tu producto UPPAbaby tiene una garantía por defectos de fabricación durante un periodo de 3 años a contar a partir de la fecha de compra, siempre y cuando se haga un uso normal del artículo y se sigan las instrucciones de funcionamiento.

Esta garantía no es transferible; se otorga únicamente al comprador original del artículo en la tienda y solo es válida si se adjunta un comprobante de compra de un minorista autorizado. El comprobante de compra debe conservarse para esta garantía.

La garantía solo es válida en el país de compra original. Esta garantía está sujeta a las condiciones establecidas por el país en el que se adquirieron los artículos. Las condiciones pueden variar. UPPAbaby no enviará piezas de recambio o reparación fuera del país de compra.

UPPAbaby proporcionará piezas de repuesto o realizará las reparaciones que la empresa considere oportunas. UPPAbaby se reserva el derecho de cambiar el artículo por una pieza de recambio. Es posible que algunas piezas se sustituyan por otras de un modelo más reciente a medida que el producto vaya mejorando con el tiempo.

Esta garantía no cubre:

- Defectos causados por un mal uso o un mantenimiento deficiente. (Consulta el folleto de instrucciones del producto para obtener orientación sobre el uso y el mantenimiento del artículo).
- Daños causados por la instalación incorrecta de piezas o accesorios UPPAbaby. (Consulte el folleto de instrucciones del producto para obtener orientación sobre el montaje y el uso del artículo).
- Daños causados por corrosión, moho u óxido debidos a un mantenimiento, servicio o almacenamiento deficientes.
- Daños derivados del desgaste normal.
- Daños o degradación causados por el sol, el sudor, los detergentes, las condiciones de almacenamiento húmedas o los lavados frecuentes.
- Reparaciones o modificaciones llevadas a cabo por terceros.
- Producto adquirido a un minorista no autorizado. (Los minoristas autorizados figuran en nuestro sitio web uppababy.com).
- Segundos propietarios y usuarios distintos del solicitante de registro.
- Daños resultantes del transporte aéreo y la manipulación.
- Productos involucrados en un accidente.

UPPAbaby se reserva el derecho de determinar si se han cumplido los términos y las condiciones de la garantía.

Para el servicio de garantía: En EE. UU.* y Canadá, ponte en contacto con el servicio de atención al cliente de UPPAbaby en el número (844) 823-3132 y visita uppababy.com/support para enviar un mensaje de correo electrónico.

*En EE. UU., las condiciones de la garantía pueden variar de un estado a otro.

Fuera de EE. UU. y Canadá, ponte en contacto con tu distribuidor local. Puedes encontrar información de distribuidores en uppababy.com/global-distributors.



NETTOYAGE

Nettoyez le châssis avec un chiffon humide et un savon doux. Séchez soigneusement. N'utilisez PAS de produits abrasifs.

Pour augmenter la durée de vie des tissus de votre produit, nettoyez-les et ne les laissez pas à la lumière directe du soleil durant un long moment.

Ne pliez PAS et ne stockez PAS le produit s'il est humide ou mouillé, et ne le stockez pas dans un environnement humide.

EXTÉRIEUR DE LA NACELLE

Enlevez les taches ou lavez à la main dans l'eau froide avec un savon doux. N'utilisez pas de javel.

Laissez sécher à plat, à l'abri de la lumière directe du soleil avant réutilisation ou rangement.

Ne nettoyez pas à sec et ne repassez pas.

INTÉRIEUR DE LA NACELLE

Lavez en machine à l'eau froide à cycle délicat, avec une lessive douce. N'utilisez pas de javel.

Laissez sécher à plat, à l'abri de la lumière directe du soleil avant réutilisation ou rangement.

Ne nettoyez pas à sec et ne repassez pas.

MAINTENANCE AND REPAIR

Ce produit nécessite que son utilisateur l'inspecte et l'entretienne régulièrement. Vérifiez le serrage et la sécurité de tous les matériels connectés (rivets, vis, etc.). Inspectez tous les freins, les pneus, les harnais et fermetures du hamac pour un fonctionnement correct. Effectuez des réparations ou remplacements rapidement si besoin, et ne continuez pas à utiliser le produit si sa structure n'est pas sécuritaire.

Seuls les éléments de remplacement d'UPPAbaby doivent être utilisés. Il pourrait être risqué d'utiliser des éléments fournis par un autre vendeur.

Contactez le service client pour toute question concernant la réparation.

GARANTIE LIMITÉE DE 3 ANS

Votre produit UPPAbaby est garanti contre les défauts de fabrication pendant une période de 3 ans à compter de la date d'achat, dans des conditions d'utilisation normales et conformes aux instructions d'utilisation.

Cette garantie n'est pas cessible et s'applique uniquement à l'acheteur d'origine. Elle est valable uniquement sur présentation d'une preuve d'achat provenant d'un revendeur agréé. La preuve d'achat doit être conservée pour cette garantie.

Cette garantie est uniquement valide dans le pays d'achat d'origine. Cette garantie est soumise aux conditions en vigueur dans le pays où ce produit a été acheté. Ces conditions peuvent varier. UPPAbaby n'enverra pas de pièces de rechange ou de réparation en dehors du pays d'achat.

UPPAbaby fournira les pièces de rechange ou effectuera les réparations qu'elle jugera nécessaires. UPPAbaby se réserve le droit d'échanger une pièce contre une autre de rechange. Il est possible que certaines pièces soient remplacées par des pièces provenant d'un modèle plus récent car l'article est amélioré avec le temps.

Cette garantie ne couvre pas:

- Les problèmes dus à une utilisation incorrecte ou à un mauvais entretien. (Veuillez vous reporter au manuel d'instructions pour consulter les consignes d'utilisation et d'entretien de l'article).
- Les dommages causés au produit par la mauvaise installation des pièces et/ou accessoires UPPAbaby. (Veuillez vous reporter au manuel d'instructions pour consulter les consignes de montage et d'utilisation de l'article).
- Les dommages causés par la corrosion, la moisissure ou la rouille en raison d'un mauvais entretien ou d'un mauvais stockage.
- Les dommages résultant de l'usure normale.
- Les dommages ou dégradations causés par le soleil, la sueur, les détergents, des conditions de stockage humides ou des lavages fréquents.
- Les réparations ou modifications effectuées par une partie tierce.
- Les produits achetés auprès d'un revendeur non agréé. (Les revendeurs agréés sont répertoriés sur notre site web www.uppababy.com).
- Les produits de seconde main et utilisés par des utilisateurs autres que le déclarant.
- Les dommages résultant de l'expédition aérienne et de la manutention.
- Les produits impliqués dans un accident.

UPPAbaby se réserve le droit de déterminer si les conditions générales de la garantie sont satisfaites.

Pour le service de garantie : Aux États-Unis* et au Canada, veuillez contacter le service clientèle d'UPPAbaby (844) 823-3132 et consultez le site uppababy.com/support afin d'envoyer un e-mail.

*Aux États-Unis, les conditions de garantie peuvent varier d'un État à l'autre.

En dehors des États-Unis et du Canada, veuillez contacter votre distributeur local. Des informations sur les distributeurs sont disponibles sur uppababy.com/global-distributors.



PULIZIA

Pulire il telaio con un panno umido e un detergente neutro, lasciare asciugare completamente. NON utilizzare ostanze abrasive.

Per prolungare la durata dei tessuti del prodotto, mantenerli puliti e non esporli alla luce del sole diretta per lunghi periodi.

NON chiudere o conservare il prodotto se umido o bagnato e non riporlo in ambienti umidi.

ESTERNO NAVICELLA

Smacchiare o lavare a mano in acqua fredda con un detergente neutro. Non candeggiare.

Asciugare in piano e lontano dalla luce diretta del sole v prima di riutilizzarle o conservarle.

Non stirare o pulire a secco.

INTERNO NAVICELLA

Lavare a macchina con ciclo delicato e detergente neutro. Non candeggiare.

Asciugare in piano e lontano dalla luce diretta del sole prima di riutilizzarle o conservarle.

Non stirare o pulire a secco.

MANUTENZIONE E RIPARAZIONE

Il prodotto richiede ispezione e manutenzione regolari da parte dell'utente. Controllare la sicurezza e il serraggio di tutti gli elementi di connessione (rivetti, viti, ecc.). Controllare il corretto funzionamento di tutti i freni, i pneumatici, le imbragature del seggiolino e i blocchi. Effettuare le riparazioni necessarie in modo tempestivo o la sostituzione e non continuare mai a utilizzare il prodotto se la sua struttura non è integra.

Utilizzare esclusivamente parti di ricambio UPPAbaby. L'utilizzo di parti di altri marchi potrebbe compromettere la sicurezza del prodotto.

Per qualsiasi domanda inerente le riparazioni, contattare il servizio di assistenza clienti.

GARANZIA LIMITATA DI 3 ANNI

Il tuo prodotto UPPAbaby è garantito come esente da difetti di fabbricazione per un periodo di 3 anni dalla data di acquisto in condizioni di utilizzo normale e in conformità con le istruzioni per l'uso.

La presente garanzia non è trasferibile e si estende solo all'acquirente al dettaglio originale ed è valida solo se corredata da prova di acquisto rilasciata da un rivenditore autorizzato. Per usufruire della garanzia è necessario conservare la prova d'acquisto.

La garanzia è valida solo nel paese di acquisto originale. La presente garanzia è soggetta alle condizioni stabilite dal Paese in cui sono stati acquistati gli articoli. Le condizioni possono variare. UPPAbaby non spedisce pezzi di ricambio o riparate al di fuori del Paese di acquisto.

UPPAbaby fornirà pezzi di ricambio o eseguirà riparazioni secondo quanto ritenuto opportuno dall'azienda. UPPAbaby si riserva il diritto di sostituire l'articolo con un pezzo di ricambio. Alcune parti potrebbero essere sostituite con parti di modello più recente man mano che l'articolo migliora nel tempo.

Questa garanzia non copre:

- Difetti causati da uso improprio o scarsa manutenzione. (Per indicazioni sull'uso e sulla manutenzione del prodotto, fare riferimento al libretto di istruzioni).
- Danni causati da un'installazione non corretta di pezzi e/o accessori UPPAbaby. (Per istruzioni sul montaggio e sull'uso dell'articolo, fare riferimento al libretto di istruzioni del prodotto).
- Danni causati da corrosione, muffa o ruggine dovuti a scarsa manutenzione, assistenza o stoccaggio.
- Danni derivanti dalla normale usura.
- Danni o degradazione causati dal sole, dal sudore, dai detersivi, da condizioni di conservazione umide o da lavaggi frequenti.
- Riparazioni o modifiche effettuate da terzi.
- Prodotto acquistato da un rivenditore non autorizzato. (I rivenditori autorizzati sono elencati sul nostro sito web uppababy.com).
- Secondi proprietari e utenti diversi dal soggetto che ha registrato la garanzia.
- Danni derivanti da spedizione e movimentazione delle compagnie aeree.
- Prodotti coinvolti in un incidente.

UPPAbaby si riserva il diritto di determinare se i termini e le condizioni della garanzia sono stati rispettati.

Per il servizio di garanzia: Negli Stati Uniti* e in Canada contatta UPPAbaby Customer Experience (844) 823-3132 e visita il sito uppababy.com/support per inviare un'e-mail.

Negli Stati Uniti, le condizioni della garanzia possono variare da stato a stato.

Al di fuori degli Stati Uniti e della California, contattare il distributore locale. Per informazioni sui distributori, visitare il sito uppababy.com/global-distributors.

REINIGUNG

Reinigen Sie das Gestell mit einem feuchten Tuch und einem milden Reinigungsmittel, und trocknen Sie Ihr gründlich ab. KEINE Schleifmittel verwenden.

Um die Haltbarkeit der Textilien Ihres Produktes zu verlängern, halten Sie es sauber und setzen Sie es nicht über lange Zeiträume direktem Sonnenlicht aus.

Das Produkt NICHT falten oder lagern, wenn es feucht oder nass ist, und auch nicht in einer feuchten Umgebung lagern.

ÄUSSEREN TRAGEKORB

Einzelne stellen oder handwäsche in kaltem wasser mit mildem waschmittel. Nicht bleichen.

Vor der wiederverwendung oder lagerung liegend und nicht in direktem sonnenlicht trocknen.

Nicht bügeln oder trockenreinigen.

INNERE TRAGEKORB

In maschine mit schonwaschgang und mildem waschmittel waschen. Nicht bleichen.

Vor der wiederverwendung oder lagerung liegend und nicht in direktem sonnenlicht trocknen.

Nicht bügeln oder trockenreinigen.

WARTUNG UND REPARATUR

Dieses Produkt muss regelmäßig durch den Benutzer überprüft und gewartet werden. Überprüfen Sie alle Verbindungen (Nieten, Schrauben usw.) daraufhin, dass sie fest und sicher sind. Überprüfen Sie ob alle Bremsen, Räder, Sitzgurte und Verschlüsse ordnungsgemäß funktionieren. Lassen Sie sofort Reparaturen vornehmen oder fordern Sie Ersatzteile an, wenn nötig, und nutzen Sie das Produkt nie weiter, falls es nicht stabil oder sicher ist.

Nur UPPAbaby Ersatzteile verwenden. Es kann gefährlich sein, Ersatzteile von einem anderen Hersteller zu verwenden.

Kontaktieren Sie den Kundenservice mit jeglichen Fragen zur Reparatur.

DREI JAHRE BESCHRÄNKTE GARANTIE

Für Ihr UPPAbaby-Produkt gilt eine Garantie von drei Jahren ab Kaufdatum auf Herstellungsfehler bei normalem Gebrauch und unter Beachtung der Gebrauchsanweisung.

Diese Garantie ist nicht übertragbar, gilt nur für den ursprünglichen Einzelhandelskäufer und nur, wenn ein Kaufbeleg von einem autorisierten Einzelhändler vorgelegt wird. Der Kaufbeleg muss für diese Garantie aufbewahrt werden.

Die Garantie gilt nur in dem Land, in dem das Gerät ursprünglich gekauft wurde. Diese Garantie unterliegt den Bedingungen des Landes, in dem die Artikel gekauft wurden. Die Bedingungen können variieren. UPPAbaby versendet keine Ersatz- oder Reparaturteile außerhalb des Landes, in dem das Produkt gekauft wurde.

UPPAbaby liefert Ersatzteile oder führt Reparaturen durch, die vom Unternehmen als angemessen erachtet werden. UPPAbaby behält sich das Recht vor, den Artikel gegen ein Ersatzteil auszutauschen. Einige Teile können durch neuere Modelle ersetzt werden, wenn der Artikel im Laufe der Zeit verbessert wird.

Diese Garantie gilt nicht für:

- Schäden, die durch unsachgemäßen Gebrauch oder schlechte Wartung verursacht werden. (Hinweise zur Verwendung und Wartung des Geräts finden Sie in der Bedienungsanleitung des Geräts).
- Schäden, die durch unsachgemäßen Einbau von UPPAbaby-Teilen und/oder -Zubehör entstehen. (Hinweise zur Montage und Verwendung des Geräts finden Sie in der Bedienungsanleitung des Produkts).
- Schäden, die durch Korrosion, Schimmel oder Rost aufgrund schlechter Wartung, Instandhaltung oder Lagerung entstanden sind.
- Schäden, die auf normale Abnutzung zurückzuführen sind.
- Beschädigung oder Zersetzung durch Sonne, Schweiß, Reinigungsmittel, feuchte Lagerbedingungen oder häufiges Waschen.
- Reparaturen oder Änderungen, die von einem Dritten durchgeführt werden.
- Kauf des Produkts bei einem nicht autorisierten Händler. (Die zugelassenen Händler sind auf unserer Website uppababy.com aufgeführt).
- Zweitbesitzer und andere Nutzer als der Anmelder.
- Schäden, die durch den Transport und die Handhabung durch die Fluggesellschaft entstanden sind.
- In einen Unfall verwickelte Produkte.

UPPAbaby behält sich das Recht vor, zu entscheiden, ob die Garantiebedingungen erfüllt sind.

Für Garantieleistungen: In den USA* und Kalifornien wenden Sie sich bitte an den UPPAbaby-Kundendienst unter (844) 823-3132 oder besuchen Sie uppababy.com/support zum Senden einer E-Mail.

*Innerhalb der USA können die Garantiebedingungen von Bundesstaat zu Bundesstaat unterschiedlich sein.

Außerhalb der USA und KANADA wenden Sie sich bitte an Ihren örtlichen Händler. Informationen über Vertriebspartner finden Sie unter uppababy.com/global-distributors.

REINIGEN

Reinig het frame met een vochtige doek en een mild schoonmaakmiddel; laat grondig drogen.
GEBRUIK GEEN schuurmiddelen.

Om de levensduur van de stof van uw product te verlengen, houdt u het schoon en laat u het niet voor langere tijd in direct zonlicht staan.

Vouw het product NIET op en bewaar het NIET wanneer het vochtig of nat is. Berg het ook NIET op in een vochtige omgeving.

BUITENKANT VAN REISWIEG

Reinigen met een doekje of met de hand wassen in koud water met een mild wasmiddel. Niet bleken.

Droog het liggend en buiten bereik van direct zonlicht vóór hergebruik of bewaren.

Niet strijken of chemisch reinigen.

BINNENKANT VAN DE REISWIEG

In de wasmachine koud wassen met een fijnwasprogramma en een mild wasmiddel. Niet bleken.

Droog het liggend en buiten bereik van direct zonlicht vóór hergebruik of bewaren.

Niet strijken of chemisch reinigen.

ONDERHOUD EN REPARATIE

Dit product heeft regelmatig controle en onderhoud van de gebruiker nodig. Controleer alle verbindende ijzerwaren (klinknagels, schroeven enz.) op spanning en veiligheid. Controleer alle remmen, wielen, veiligheidsgordels en sloten en verzeker een correcte en veilige werking. Laat het product direct repareren en/of monteer direct vervangende onderdelen wanneer dit nodig is. Gebruik het product nooit wanneer het bouwtechnisch onveilig is.

Alleen vervangende onderdelen van UPPAbaby mogen worden gebruikt. Het kan onveilig zijn om onderdelen te gebruiken die door een andere fabrikant zijn gemaakt.

Neem contact op met de klantenservice als u vragen hebt met betrekking tot reparaties.

3 JAAR BEPERKTE GARANTIE

Uw UPPAbaby-product is gegarandeerd vrij van fabricagefouten gedurende een periode van 3 jaar vanaf de aankoopdatum bij normaal gebruik en in overeenstemming met de gebruiksaanwijzing.

Deze garantie is niet overdraagbaar, geldt alleen voor de oorspronkelijke koper en is alleen geldig bij overleggen van een aankoopbewijs van een erkend verkooppunt. Voor deze garantie moet een aankoopbewijs worden bewaard.

De garantie is alleen geldig in het oorspronkelijke land van aankoop. Deze garantie is onderhevig aan de voorwaarden van het land waarin het product is gekocht. Voorwaarden kunnen variëren. UPPAbaby verzendt geen vervangende- of reparatieonderdelen buiten het land van aankoop.

UPPAbaby levert vervangende onderdelen of voert reparaties uit zoals bepaald door het bedrijf. UPPAbaby behoudt zich het recht voor om onderdelen om te ruilen door vervangende onderdelen. Sommige onderdelen worden na verloop van tijd mogelijk vervangen door onderdelen van een nieuwer model.

Deze garantie dekt het volgende niet:

- Defecten veroorzaakt door verkeerd gebruik of slecht onderhoud. (Raadpleeg het instructieboekje bij het product voor richtlijnen over gebruik en onderhoud).
- Schade veroorzaakt door onjuiste installatie van UPPAbaby-onderdelen en/of -accessoires. (Raadpleeg het instructieboekje van het product voor informatie over montage en gebruik).
- Schade veroorzaakt door corrosie, schimmel of roest als gevolg van slecht onderhoud, service of opslag.
- Schade als gevolg van normale slijtage.
- Schade of slijtage veroorzaakt door de zon, zweet, schoonmaakmiddelen, vochtige opslagomstandigheden of veelvuldig wassen.
- Reparaties of wijzigingen die zijn uitgevoerd door een derde partij.
- Product gekocht bij een niet-erkend verkooppunt. (Erkende verkopers staan vermeld op onze website uppababy.com).
- Tweede eigenaar en andere gebruikers dan de geregistreerde eigenaars.
- Schade als gevolg van verzending en behandeling door de luchtvaartmaatschappij.
- Producten die betrokken zijn bij een ongeval.

UPPAbaby behoudt zich het recht voor om te bepalen of aan de garantievoorwaarden is voldaan.

Voor garantieservice: Neem in de VS* en CA contact op met de klantenservice van UPPAbaby (844) 823-3132 en ga naar uppababy.com/support om een e-mail te sturen.

*Binnen de VS kunnen de garantievoorwaarden per staat verschillen.

Neem buiten de VS en CA contact op met uw plaatselijke distributeur. Informatie over distributeurs is te vinden op uppababy.com/global-distributors.



LIMPEZA

Limpe a estrutura com um pano úmido e detergente neutro, seque bem. NÃO USE produtos abrasivos.

Se partes da estrutura molharam com água salgada, enxágue-as com água doce logo que possível, para evitar corrosão. Sempre seque as partes que forem molhadas.

Para os tecidos durarem mais, mantenha-os limpos e evite deixá-los ao sol por longos períodos.

NÃO dobre nem guarde o produto se estiver úmido ou molhado, e guarde-o sempre em local seco.

EXTERIOR DO BERÇO

Limpeza de manchas ou lavagem à mão em água fria com detergente neutro. NÃO use alvejante.

Secar esticado, protegido do sol, antes de reutilizar ou armazenar.

NÃO passar a ferro nem lavar a seco.

INTERIOR DO BERÇO

Lavar na máquina no ciclo suave com água fria e detergente neutro. NÃO use alvejante.

Secar esticado, protegido do sol, antes de reutilizar ou armazenar.

NÃO passar a ferro nem lavar a seco.

MANUTENÇÃO E REPAROS

Esse produto deve ser verificado e cuidado regularmente. Verifique se as conexões (rebites, parafusos etc.) estão firmes e seguras. Inspeccione se os freios, correias, suportes do assento e travas operam corretamente.

Se necessário, busque a substituição ou reparos de peças. Não use o produto se não estiver totalmente seguro.

Use apenas peças de reposição da UPPAbaby. Pode não ser seguro utilizar peças fornecidas por outro fabricante.

Consulte o Atendimento ao Cliente se tiver dúvidas sobre reparos.

GARANTIA LIMITADA DE 3 ANOS

Seu produto UPPAbaby tem garantia contra defeitos de fabricação por um período de 3 anos a partir da data de compra sob uso normal e em conformidade com as instruções de uso..

Esta garantia não é transferível e se estende somente ao comprador original, sendo válida apenas quando fornecida com comprovante de compra de um revendedor autorizado. O comprovante de compra deve ser mantido para esta garantia.

A garantia é válida somente no país original de compra. Esta garantia está sujeita às condições estabelecidas pelo país em que os itens foram adquiridos. As condições podem variar. A UPPAbaby não envia peças de reposição ou reparo para fora do país de compra.

A UPPAbaby fornece peças de reposição ou realiza reparos conforme determinado pela empresa. A UPPAbaby reserva-se o direito de trocar o item por uma peça de reposição. Algumas peças podem ser substituídas por peças de modelos mais novos à medida que o item for aprimorado ao longo do tempo.

Esta garantia não cobre:

- Defeitos causados por mau uso ou má manutenção. (Consulte o manual de instruções do produto para obter orientações sobre o uso e a manutenção do item).
- Danos causados pela instalação inadequada de peças e/ou acessórios UPPAbaby. (Consulte o manual de instruções do produto para obter orientações sobre a montagem e o uso do item).
- Danos causados por corrosão, mofo ou ferrugem devido à má manutenção, serviço ou armazenamento.
- Danos resultantes do desgaste normal.
- Danos ou degradação causados pelo sol, suor, detergentes, condições de armazenamento úmidas ou lavagens frequentes.
- Reparos ou modificações realizadas por terceiros.
- Produto adquirido de um revendedor não autorizado. (Os revendedores aprovados estão relacionados no site uppababy.com).
- Segundos proprietários e usuários diferentes do registrante.
- Danos resultantes de transporte e manuseio por companhia aérea.
- Produtos envolvidos em um acidente.

A UPPAbaby reserva-se o direito de determinar se os termos e condições da garantia foram cumpridos.

Para serviço de garantia: Nos EUA* e no Canadá, entre em contato com o atendimento ao cliente UPPAbaby (844) 823-3132 e acesse uppababy.com/support para enviar um e-mail.

*Nos EUA, as condições de garantia podem diferir de estado para estado.

Fora dos EUA e da Califórnia, entre em contato com um distribuidor local. Informações sobre distribuidores podem ser encontradas no site uppababy.com/global-distributors.



RENGÖRING

Rengör chassiet med en fuktig trasa och ett mildt rengöringsmedel. Torka av ordentligt. Använd INTE medel med slipeffekt.

Om du vill förlänga livslängden på produktens klädsel ska du hålla den ren och inte låta den vara i direkt solljus under längre stunder.

Fäll INTE ihop eller ställ undan produkten om den är fuktig eller blöt. Förvara den heller inte i fuktiga miljöer.

YTTRE LIGGDEL

Lokal rengöring eller handtvätt i kallt vatten med mildt rengöringsmedel. Får INTE blekas.

Torka platt och borta från direkt solljus innan återanvändning eller förvaring.

Stryk INTE. Kemtvätta INTE.

INRE LIGGDEL

Maskintvätt kallt skonsamt program med mildt tvättmedel. Får INTE blekas.

Torka platt och borta från direkt solljus innan återanvändning eller förvaring.

Stryk INTE. Kemtvätta INTE.

UNDERHÅLL OCH REPARATION

Den här produkten kräver inspektion och underhåll regelbundet. Kontrollera att alla kopplingsdelar (nitar och skruvar osv.) sitter ordentligt och säkert. Inspektera alla bromsar, däck, selar och lås för korrekt användning. Reparera eller byt ut delar omedelbart efter behov och fortsätt aldrig att använda produkten om den inte är strukturellt säker.

Endast utbytesdelar från UPPAbaby bör användas. Säkerheten kan inte garanteras om delar från andra tillverkare används.

Kontakta kundtjänst om du har frågor om reparation.

3 ÅRS BEGRÄNSAD GARANTI

Din UPPAbaby-produkt garanteras vara fri från tillverkningsfel under en period av 3 år från inköpsdatum vid normal användning och i enlighet med bruksanvisningen.

Denna garanti kan inte överlåtas och gäller endast den ursprungliga köparen och är endast giltig om den åtföljs av ett inköpsbevis från en auktoriserad återförsäljare. Inköpsbevis måste sparas för att denna garanti ska gälla.

Garantin gäller endast i det ursprungliga inköpslandet. Denna garanti omfattas av de villkor som gäller i det land där varan köptes. Villkoren kan variera. UPPAbaby skickar inte ersättnings- eller reservdelar utanför inköpslandet.

UPPAbaby kommer att tillhandahålla reservdelar eller utföra reparationer som företaget anser vara lämpliga.

UPPAbaby förbehåller sig rätten att byta ut varan mot en ersättningsdel. Vissa delar kan komma att bytas ut mot delar av nyare modell allteftersom produkten förbättras över tid.

Denna garanti täcker inte:

- Fel som orsakats av felaktig användning eller dåligt underhåll. (Se produktens instruktionsbok för anvisningar om hur produkten ska användas och underhållas.)
- Skada som orsakats av felaktig installation av UPPAbaby-delar och/eller tillbehör. (Se produktens instruktionsbok för anvisningar om hur produkten monteras och används.)
- Skada som orsakats av korrosion, mögel eller rost på grund av dåligt underhåll, service eller förvaring.
- Skada till följd av normal förslitning.
- Skada eller försämring som orsakats av sol, svett, rengöringsmedel, fuktiga förvaringsförhållanden eller frekventa tvättar.
- Reparationer eller modifieringar som utförts av tredje part.
- Produkt som köpts av en icke-auktoriserad återförsäljare. (Godkända återförsäljare finns listade på vår webbplats uppababy.com.)
- Andra ägare och användare än registranten.
- Skada till följd av flygbolagets frakt och hantering.
- Produkter Inblandade i en olycka.

UPPAbaby förbehåller sig rätten att avgöra om garantivillkoren har uppfyllts.

För garantiservice: I USA* och Kanada kan du kontakta UPPAbaby kundupplevelse på (844) 823-3132 och besöka uppababy.com/support för att skicka ett e-postmeddelande.

*Inom USA kan garantivillkoren skilja sig från delstat till delstat.

Utanför USA och Kalifornien: kontakta din lokala distributör. Information om distributörer finns på uppababy.com/se/global-distributors.

CZYSZCZENIE

Konstrukcję czyścić wilgotną ściereczką z łagodnym detergentem; dokładnie wysuszyć. NIE używać materiałów ściernych.

Jeśli części konstrukcyjne zostały wystawione na działanie słońca, zaleca się wypłukanie ich jak najszybciej świeżą wodą (z kranu), aby uniknąć korozji. Zawsze należy osuszyć stelaż, jeśli jest mokry.

Aby wydłużyć żywotność materiałowego pokrowca wózka, utrzymuj go w czystości i nie wystawiaj zbyt długo na bezpośrednie działanie promieni słonecznych.

NIE składaj ani nie przechowuj wózka, jeśli jest wilgotny lub mokry, ani nie przechowuj go w wilgotnym otoczeniu.

KOSZYK ZEWNĘTRZNY

Czyścić punktowo lub prać ręcznie w zimnej wodzie z łagodnym detergentem. NIE wybielać.

Przed ponownym użyciem lub przechowywaniem wysuszyć na płasko i z dala od bezpośredniego światła słonecznego.

NIE prasować ani nie czyścić chemicznie.

KOSZYK WEWNĘTRZNY

Prać w pralce w niskiej temperaturze i z łagodnym detergentem. NIE wybielać.

Przed ponownym użyciem lub przechowywaniem wysuszyć na płasko i z dala od bezpośredniego światła słonecznego.

NIE prasować ani nie czyścić chemicznie.

KONSERWACJA I PIELĘGNACJA

Wózek należy regularnie kontrolować i konserwować na bieżąco. Sprawdzaj wszystkie elementy łączące (nity, śruby itp.) pod kątem szczelności i bezpieczeństwa. Sprawdzaj, czy hamulce, opony, pasy bezpieczeństwa i blokady działają prawidłowo. W razie potrzeby niezwłocznie dokonuj napraw lub wymiany części i nigdy nie używaj wózka, gdy jego konstrukcja nie jest w pełni bezpieczna.

Należy stosować wyłącznie części zamienne UPPAbaby. Stosowanie części dostarczonych przez innego producenta może być niebezpieczne.

Wszelkie pytania dotyczące naprawy należy kierować bezpośrednio do działu obsługi.

3-LETNIA OGRANICZONA GWARANCJA

Produkt UPPAbaby jest objęty gwarancją na brak wad fabrycznych przez okres 3 lat od daty zakupu, przy normalnym użytkowaniu i przestrzeganiu instrukcji obsługi.

Niniejsza gwarancja jest niezwykła i przysługuje wyłącznie pierwotnemu nabywcy detaliczemu. Gwarancja jest ważna wyłącznie po przedstawieniu dowodu zakupu od autoryzowanego sprzedawcy. W celu skorzystania z tej gwarancji należy zachować dowód zakupu.

Gwarancja jest ważna tylko w kraju, w którym dokonano zakupu. Niniejsza gwarancja podlega warunkom określonym przez kraj, w którym produkt został zakupiony. Warunki mogą się różnić. Firma UPPAbaby nie będzie wysyłać części zamiennych ani naprawczych poza kraj zakupu.

Firma UPPAbaby dostarczy części zamienne lub przeprowadzi naprawy w sposób określony jako odpowiedni przez firmę. Firma UPPAbaby zastrzega sobie prawo do wymiany na część zamienną. Niektóre części mogą zostać zastąpione nowszymi częściami w miarę udoskonalania produktu.

Niniejsza gwarancja nie obejmuje:

- Wad spowodowanych niewłaściwym użytkowaniem lub złą konserwacją. (Wskazówki dotyczące użytkowania i konserwacji elementów znajdują się w instrukcji obsługi produktu).
- Uszkodzeń spowodowanych nieprawidłowym montażem części i/lub akcesoriów UPPAbaby. (Wskazówki dotyczące montażu i użytkowania znajdują się w instrukcji obsługi produktu).
- Uszkodzeń spowodowanych przez korozję, pleśń lub rdzę z powodu złej konserwacji, serwisu lub przechowywania.
- Uszkodzeń wynikających z normalnego zużycia.
- Uszkodzeń lub zniszczenia spowodowanego działaniem słońca, potu, detergentów, wilgotnych warunków przechowywania lub częstego prania.
- Napraw lub modyfikacji wykonywanych przez stronę trzecią.
- Produktów zakupionych od nieautoryzowanego sprzedawcy. (Zatwierdzeni sprzedawcy są wymienieni na naszej stronie internetowej uppababy.com).
- Drugich właścicieli ani użytkowników innych niż rejestrujący.
- Uszkodzeń wynikających z transportu lotniczego i przeładunku.
- Produktów uczestniczących w wypadku.

Firma UPPAbaby zastrzega sobie prawo do określenia, czy warunki gwarancji zostały spełnione.

Aby uzyskać serwis gwarancyjny: W USA* i Kalifornii należy skontaktować się z obsługą klienta UPPAbaby (844) 823-3132 i odwiedzić stronę uppababy.com/support, aby wysłać wiadomość e-mail.

W Stanach Zjednoczonych warunki gwarancji mogą się różnić w zależności od stanu.

Poza USA i Kanadą prosimy o kontakt z lokalnym dystrybutorem. Informacje o dystrybutorze można znaleźć na stronie uppababy.com/global-distributors.

TEMİZLİK

Şasi bölümünü ıslak bir bezle ve yumuşak deterjanla temizleyin; tamamen kurutun. Aşındırıcı temizlik malzemesi KULLANMAYIN.

Ürününüzün kumaşının ömrünü uzatmak için temiz tutun ve doğrudan güneş ışığına uzun süre maruz bırakmayın.

Ürünü nemli veya ıslak halde KATLAMAYIN veya SAKLAMAYIN veya nemli bir ortamda saklamayın.

DIŞ BASİNET

Soğuk suda hafif deterjanla lekeli kısmı temizleyin veya elde yıkayın. Ağartıcı KULLANMAYIN.

Yeniden kullanmadan veya saklamadan önce düz bir şekilde ve doğrudan güneş ışığından uzakta kurutun.

ÜTÜLEMEYİN veya kuru temizleme YAPMAYIN.

İÇ BASİNET

Makinede hafif deterjanla soğuk narin yıkama yapın. Ağartıcı KULLANMAYIN.

Yeniden kullanmadan veya saklamadan önce düz bir şekilde ve doğrudan güneş ışığından uzakta kurutun.

ÜTÜLEMEYİN veya kuru temizleme YAPMAYIN.

BAKIM VE ONARIM

Bu ürün düzenli olarak kullanıcı denetimi ve bakımını gerektirir. Bütün bağlantı malzemelerini (perçinler, vidalar, vb.) sıklık ve emniyet açısından kontrol edin. Bütün frenlerin, lastiklerin, koltuk emniyet kemerlerinin ve kilitlerinin doğru çalışıp çalışmadığını kontrol edin. Gerekliği anda hızlı onarım veya yedek parça isteyin ve ürünü yapı bakımından güvenli olmayan bir şekilde kesinlikle kullanmayın.

Yalnızca UPPAbaby yedek parçaları kullanılmalıdır. Başka bir üreticiden temin edilen parçaların kullanılması emniyetsiz olabilir.

Herhangi bir onarım sorusu ile ilgili Müşteri Hizmetleri ile irtibata geçin.

3 YIL SINIRLI GARANTİ

UPPAbaby ürününüz normal kullanım altında ve kullanım talimatlarına uygun olarak, satın alma tarihinden itibaren 3 yıl boyunca üretim kusurlarına karşı garantilidir.

Bu garanti devredilemez ve yalnızca orijinal alıcıyı kapsar ve yalnızca yetkili bir satıcıdan satın alma belgesi ile birlikte sağlandığında geçerlidir. Bu garanti için satın alma belgesi saklanmalıdır.

Garanti yalnızca satın alındığı orijinal ülkede geçerlidir. Bu garanti, ürünlerin satın alındığı ülke tarafından belirlenen koşullara tabidir. Koşullar değişiklik gösterebilir. UPPAbaby, yedek parçaları veya onarım parçalarını ürünün satın alındığı ülkenin dışına göndermeyecektir.

UPPAbaby, şirket tarafından uygun görülen yedek parçaları sağlayacak veya onarımları gerçekleştirecektir. UPPAbaby, ürünü yedek parça ile değiştirme hakkını saklı tutar. Ürün zaman içinde geliştirildikçe bazı parçalar daha yeni modele ait parçalarla değiştirilebilir.

Aşağıdakiler bu garantinin kapsamına girmez:

- Yanlış kullanım veya yetersiz bakımdan kaynaklanan kusurlar. (Ürün kullanımı ve bakımı ile ilgili yönlendirme için lütfen ürün kullanım kitapçığına bakın).
- UPPAbaby parçalarının ve/veya aksesuarlarının yanlış montajından kaynaklanan hasarlar. (Ürün montajı ve kullanımı ile ilgili yönlendirme için lütfen ürün kullanım kitapçığına bakın).
- Kötü bakım, servis ya da depolama nedeniyle korozyon küfü veya pastan kaynaklanan hasarlar.
- Normal aşınma ve yıpranmadan kaynaklanan hasarlar.
- Güneş, ter, deterjanlar, nemli depolama koşulları veya sık yıkamadan kaynaklanan hasarlar veya bozulmalar.
- Üçüncü bir tarafın gerçekleştirdiği onarımlar veya değişiklikler.
- Yetkisiz bir satıcıdan satın alınan ürün. (Onaylı satıcılar uppababy.com web sitemizde listelenmiştir).
- Kayıt ettiren kişi dışındaki ikinci sahipler ve kullanıcılar.
- Havayolu nakliyesinden kaynaklanan hasarlar.
- Bir kazaya karışan ürünler.

UPPAbaby, garanti şartları ve koşullarının yerine getirilip getirilmediğini belirleme hakkını saklı tutar.

Garanti hizmeti için: ABD* ve Kanada'da lütfen (844) 823-3132 numaralı UPPAbaby müşteri deneyimi hattını arayın ve e-posta göndermek için uppababy.com/support adresini ziyaret edin.

*ABD içinde garanti koşulları eyaletten eyalete farklılık gösterebilir.

ABD ve CA dışında lütfen yerel distribütörünüz ile iletişime geçin. Distribütör bilgileri uppababy.com/global-distributors adresinde bulunabilir.

ОЧИСТКА

Раму изделия можно очищать влажной тканью, смоченной мягким моющим средством. Выполняйте очистку с максимальной тщательностью. НЕ ИСПОЛЬЗУЙТЕ абразивные чистящие средства.

Для недопущения коррозии при попадании на раму изделия соленой воды рекомендуется в кратчайшие сроки промыть её пресной (водопроводной) водой. В случае намокания рамы ее необходимо высушить.

Поддерживайте обивку в чистоте и не допускайте длительного воздействия на нее прямых солнечных лучей. Это позволит продлить срок службы изделия.

НЕ СКЛАДЫВАЙТЕ И НЕ ХРАНИТЕ изделие во влажном виде, а также во влажной среде.

ВНЕШНЯЯ ЛЮЛКА

Удаляйте отдельные пятна или стирайте вручную в холодной воде с использованием мягкого моющего средства. ЗАПРЕЩЕНО отбеливать.

Перед повторным использованием или хранением высушите на плоской поверхности и вдали от прямых солнечных лучей.

ЗАПРЕЩЕНО гладить и подвергать химической чистке.

ВНУТРЕННЯЯ ЛЮЛКА

Стирайте в машине в холодной воде в щадящем режиме с использованием мягкого моющего средства. ЗАПРЕЩЕНО отбеливать.

Перед повторным использованием или хранением высушите на плоской поверхности и вдали от прямых солнечных лучей.

ЗАПРЕЩЕНО гладить и подвергать химической чистке.

РЕМОНТ И ОБСЛУЖИВАНИЕ

Регулярно осматривайте изделие и при необходимости выполняйте его обслуживание. Следите за состоянием всех крепежных элементов (заклепок, винтов и т. д.). Проверяйте работоспособность тормозных механизмов, состояние колес, ремней безопасности и застёжек. При необходимости выполняйте ремонт или замену поврежденных компонентов. Не используйте изделие, если возникли сомнения в его конструктивной надежности и безопасности.

Следует использовать только запчасти UPPAbaby. Использование деталей другого производителя может быть небезопасным.

По всем вопросам, связанным с ремонтом, обращайтесь в службу поддержки покупателей.

ГОГРАНИЧЕННАЯ ГАРАНТИЯ НА ТРИ ГОДА

Мы гарантируем отсутствие производственных дефектов в изделии UPPAbaby в течение 3 лет с даты покупки при условии надлежащего использования и соблюдения инструкции по эксплуатации.

Эта гарантия не подлежит передаче и распространяется только на первоначального розничного покупателя, а также действительна исключительно при условии предоставления подтверждения покупки у авторизованного продавца. Для получения этой гарантии необходимо сохранить подтверждение покупки.

Гарантия действительна только в стране приобретения товара. Настоящая гарантия регулируется условиями, установленными страной, в которой были приобретены товары. Условия могут различаться. UPPAbaby не отправляет новые или запасные детали за пределы страны покупки.

UPPAbaby предоставляет новые детали или проводит ремонт в соответствии с решением компании. UPPAbaby оставляет за собой право обменять товар покупателя на товар с новой деталью. Некоторые детали могут быть заменены новыми по мере улучшения изделия с течением времени.

Настоящая гарантия не распространяется на:

- дефекты, вызванные неправильным использованием или ненадлежащим обслуживанием (руководство по использованию и техническому обслуживанию изделия см. в буклете с инструкциями по эксплуатации изделия).
- повреждения, вызванные неправильной установкой деталей и/или аксессуаров UPPAbaby (руководство по сборке и использованию изделия см. в буклете с инструкциями к изделию).
- повреждения, вызванные коррозией, плесенью или ржавчиной вследствие ненадлежащего ухода, обслуживания или хранения.
- повреждения, возникшие в результате нормального износа.
- повреждения или износ, вызванные воздействием солнца, пота, моющих средств, а также хранением во влажных условиях или частыми стирками.
- ремонт или модификации, выполненные третьим лицом.
- продукты, приобретенные у неавторизованного продавца (одобренные продавцы перечислены на нашем веб-сайте uprababy.com).
- вторых владельцев и пользователей, не являющихся первоначальным покупателем.
- ущерб, нанесенный в результате перевозки и обработки груза авиакомпанией.
- товары, пострадавшие в результате аварии.

UPPAbaby оставляет за собой право определять, были ли соблюдены условия гарантии.

Гарантийное обслуживание: в США* и Канаде свяжитесь со службой поддержки UPPAbaby по номеру (844) 823-31-32 или перейдите по ссылке uprababy.com/support, чтобы отправить электронное письмо.

*На территории США гарантийные условия могут отличаться в зависимости от штата.

За пределами США и Калифорнии обратитесь к местному дистрибьютору. Информацию о дистрибьюторе можно найти на странице uprababy.com/global-distributors.



ČIŠČENJE

Okvir/ogrodje očistite z vlažno krpo in blagim čistilnim sredstvom; temeljito posušite. NE uporabljajte abrazivnih sredstev.

Če želite podaljšati življenjsko dobo tkanine na vašem izdelku, jo morate redno čistiti in je ne smete dlje časa puščati na neposredni sončni svetlobi.

Izdelka NE smete zložiti ali shraniti, če je vlažen ali moker, prav tako ga ne smete hraniti v vlažnem okolju.

ZUNANJOST KOŠARE

Očistite umazana mesta ali ročno operite v hladni vodi z blagim detergentom. NE uporabljajte belila.

Pred ponovno uporabo ali hrambo poravnajte in posušite stran od neposredne sončne svetlobe.

NE smete likati ali kemično čistiti.

NOTRANJOST KOŠARE

Za pranje v pralnem stroju uporabite program za nežno perilo in uporabite blag detergent. NE uporabljajte belila.

Pred ponovno uporabo ali hrambo poravnajte in posušite stran od neposredne sončne svetlobe.

NE smete likati ali kemično čistiti.

VZDRŽEVANJE IN POPRAVILA

Uporabnik mora redno pregledovati in vzdrževati ta izdelek. Prepričajte se, da je vsa povezovalna oprema (zakovice, vijaki ipd.) ustrezno zategnjena in varno pritrjena. Preglejte vse zavore, pnevmatike, varnostne pasove in ključavnice ter zagotovite, da pravilno delujejo. Po potrebi čim prej poiščite popravilo ali nadomestne dele in nikoli ne uporabljajte izdelka, če ne zagotavlja strukturne varnosti.

Uporabljajte samo originalne nadomestne dele UPPAbaby. Če uporabljate dele drugega proizvajalca, ni mogoče zagotoviti varnosti.

Če imate kakršna koli vprašanja o popravilu, se obrnite na službo za pomoč strankam.

3-LETNA OMEJENA GARANCIJA

Jamčimo, da se pri vašem izdelku UPPAbaby 3 leta od datuma nakupa ne bodo pojavile napake zaradi proizvodnje, če ga uporabljate normalno in v skladu z navodili za uporabo.

Te garancije ni mogoče prenesti in velja zgolj za prvotnega kupca v maloprodaji, če lahko ta predloži dokazilo o nakupu pri pooblaščenem prodajalcu. Za uveljavljanje te garancije morate hraniti dokazilo o nakupu.

Garancija velja samo v državi prvotnega nakupa. Za to garancijo veljajo pogoji, ki jih določa zakonodaja države, v kateri so bili izdelki kupljeni. Pogoji se lahko razlikujejo. Podjetje UPPAbaby nadomestnih delov ali delov za popravilo ne bo pošiljalo zunaj države nakupa.

Podjetje UPPAbaby se bo samo odločilo, ali bo zagotovilo nadomestne dele ali izvedlo popravilo. Podjetje UPPAbaby si pridržuje pravico do zamenjave izdelka z nadomestnim delom. Nekatere dele lahko sčasoma nadomestimo z novejšimi modeli delov, saj izdelek nenehno izboljšujemo.

Ta garancija ne zajema:

- Okvar zaradi napačne uporabe ali slabega vzdrževanja. (Navodila za uporabo in vzdrževanje izdelka so na voljo v priročniku za uporabo izdelka).
- Poškodb, ki nastanejo zaradi nepravilne namestitve delov in/ali dodatne opreme UPPAbaby. (Navodila za sestavljanje in uporabo izdelka so na voljo v priročniku za uporabo izdelka).
- Poškodb zaradi korozije, plesni ali rje, ki nastanejo zaradi slabega vzdrževanja, servisiranja ali skladiščenja.
- Poškodb, ki so posledica običajne obrabe.
- Poškodb ali degradacije zaradi sonca, znoja, čistilnih sredstev, skladiščenja v vlažnem okolju ali pogostega pranja.
- Popravil ali sprememb, ki jih opravi tretja oseba.
- Izdelkov, ki so kupljeni pri nepooblaščenem prodajalcu. (Odobreni prodajalci so navedeni na naši spletni strani uppababy.com).
- Drugi lastniki in uporabniki, ki niso osebe, ki so registrirale izdelek.
- Poškodb, ki nastanejo med letalskim prevozom in ravnanjem med njim.
- Izdelkov, ki so bili udeleženi v nesreči.

Podjetje UPPAbaby si pridržuje pravico do ugotavljanja, ali so izpolnjeni garancijski pogoji.

Za garancijski servis: V ZDA* in Kanadi se obrnite na službo za pomoč strankam UPPAbaby (844) 823-3132 ali pa obiščite uppababy.com/support, če želite poslati e-poštno sporočilo.

*Garancijski pogoji se lahko razlikujejo v različnih zveznih državah znotraj ZDA.

Zunaj ZDA in Kalifornije se obrnite na lokalnega distributerja. Informacije o distributerjih lahko najdete na spletnem mestu uppababy.com/global-distributors.

ČIŠĆENJE

Očistite okvir/postolje vlažnom krpom i blagim deterdžentom i temeljito osušite. NEMOJTE upotrebljavati abrazivna sredstva.

Kako biste produžili vijek trajanja tkanine proizvoda, održavajte je čistom i ne ostavljajte je na izravnoj sunčanoj svjetlosti dulje vrijeme.

NEMOJTE presavijati ili skladištiti proizvod ako je vlažan ili mokar, niti ga čuvati u vlažnom okruženju.

VANJSKA KOLIJEVKA

Očistite mrlje ili ručno operite u hladnoj vodi blagim deterdžentom. NEMOJTE upotrebljavati izbjeljivač.

Osušite na ravnoj površini i dalje od izravne sunčane svjetlosti prije ponovne upotrebe ili skladištenja.

NEMOJTE glačati ili kemijski čistiti.

UNUTARNJA KOLIJEVKA

Ustrojno operite blagim ciklusom, hladnom vodom te blagim deterdžentom. NEMOJTE upotrebljavati izbjeljivač.

Osušite na ravnoj površini i dalje od izravne sunčane svjetlosti prije ponovne upotrebe ili skladištenja.

NEMOJTE glačati ili kemijski čistiti.

ODRŽAVANJE I POPRAVAK

POvaj proizvod zahtijeva redovite preglede i održavanje korisnika. Provjerite čvrstoću i sigurnost svih spojnih dijelova (zakovice, vijci itd.). Provjerite rade li sve kočnice, gume, pojasevi sjedala i mehanizmi zaključavanja ispravno. Odmah popravite ili zamijenite dijelove po potrebi i nikada nemojte nastaviti upotrebljavati proizvod ako strukturno nije siguran.

Upotrebljavajte samo zamjenske dijelove UPPAbaby. Nije sigurno upotrebljavati dijelove koje isporučuje drugi proizvođač.

Za sva pitanja o popravku obratite se službi za korisnike.



3 GODINE OGRANIČENOG JAMSTVA

Vaš proizvod UPPAbaby ima jamstvo u pogledu proizvodnih nedostataka u razdoblju od 3 godine od datuma kupnje pod uvjetom uobičajene upotrebe i u skladu s uputama za upotrebu.

Ovo jamstvo nije prenosivo i odnosi se samo na izvornog maloprodajnog kupca te vrijedi samo kada se predoči dokaz o kupnji od ovlaštenog trgovca. Za ovo jamstvo mora se sačuvati dokaz o kupnji.

Jamstvo vrijedi samo u državi kupnje. Ovo jamstvo podliježe uvjetima postavljenim u državi u kojoj su proizvodi kupljeni. Uvjeti se mogu razlikovati. UPPAbaby neće isporučivati zamjenske dijelove ili dijelove za popravak izvan države kupnje.

UPPAbaby osigurat će zamjenske dijelove ili izvršiti popravke prema odluci tvrtke. UPPAbaby zadržava pravo zamjene proizvoda zamjenskim dijelom. Neki dijelovi mogu se zamijeniti dijelovima novijih modela jer se proizvod s vremenom poboljšava.

Ovo jamstvo ne pokriva sljedeće:

- Kvarove uzrokovane nepravilnom upotrebom ili lošim održavanjem. (Upute za upotrebu i održavanje proizvoda potražite u brošuri s uputama za upotrebu proizvoda).
- Oštećenja uzrokovana nepravilnom ugradnjom dijelova i/ili dodatnih dijelova UPPAbaby. (Upute za sastavljanje i upotrebu proizvoda potražite u brošuri s uputama za upotrebu proizvoda).
- Oštećenja uzrokovana korozijskom plijesni ili hrđom zbog lošeg održavanja, servisiranja ili skladištenja.
- Oštećenja nastala uslijed uobičajenog trošenja i habanja.
- Oštećenja ili propadanja uzrokovana suncem, znojem, deterdžentima, vlažnim uvjetima skladištenja ili čestim pranjem.
- Popravke ili preinake koje je provela treća strana.
- Proizvod kupljen od neovlaštenog trgovca. (Odobreni trgovci navedeni su na našem web-mjestu uppababy.com).
- Druge vlasnike i korisnike koji nisu podnositelji registracije.
- Štetu koja proizlazi iz isporuke i rukovanja zračnih prijevoznika.
- Proizvode koji su bili izloženi nesreći.

UPPAbaby zadržava pravo utvrditi jesu li ispunjeni jamstveni uvjeti.

Za jamstveni servis: u SAD-u* i Kanadi kontaktirajte službu za korisnike tvrtke UPPAbaby na broj (844) 823-3132 i posjetite uppababy.com/support za slanje e-pošte.

* U SAD-u uvjeti jamstva mogu se razlikovati ovisno o saveznoj državi.

Izvan SAD-a i Kanade obratite se lokalnom distributeru. Informacije o distributeru možete pronaći na uppababy.com/global-distributors.

TISZTÍTÁS

A vázat/keretet nedves ruhával és enyhe tisztítószerrel tisztítsa meg; majd alaposan szárítsa meg. NE használjon súrolószert.

Tartsa tisztán a szövetet az élettartamának meghosszabbítása érdekében, és ne hagyja hosszú ideig közvetlen napfényben.

NE hajtogassa össze vagy tárolja a terméket, ha nedves, és ne tárolja nedves környezetben.

KÜLSŐ KOSÁR

YAlkalmazzon folteltisztítást vagy kézzel mossa ki hideg vízben, enyhe mosószerrel. NE használjon fehérítőt.

Újbóli felhasználás vagy tárolás előtt kiterítve és közvetlen napfénytől védve szárítsa meg.

NE vasalja ki és ne végezzen rajta vegytisztítást.

BELSŐ KOSÁR

Géppel mosható, hideg, kímélő programmal és enyhe mosószerrel. NE használjon fehérítőt.

Újbóli felhasználás vagy tárolás előtt kiterítve és közvetlen napfénytől védve szárítsa meg.

NE vasalja ki és ne végezzen rajta vegytisztítást.

KARBANTARTÁS ÉS JAVÍTÁS

A termék rendszeres felhasználói ellenőrzést és karbantartást igényel. Ellenőrizze, hogy az összes csatlakozás (szegecsek, csavarok stb.) megfelelően legyen meghúzva és biztonságos legyen. Ellenőrizze a fékek, gumiabroncsok, biztonsági övek és zárok megfelelő működését. Szükség esetén azonnal javíttassa meg vagy cserélje ki, és soha ne használja tovább a terméket, ha az szerkezetiileg nem biztonságos.

Csak UPPAbaby cserealkatrészeket szabad használni. Előfordulhat, hogy a más gyártó által szállított alkatrészek használata nem biztonságos.

Ha bármilyen kérdése van a javítással kapcsolatban, forduljon az ügyfélszolgálathoz.

3 ÉV KORLÁTOZOTT JÓTÁLLÁS

Az UPPAbaby termékére a vásárlástól számított 3 évig vállalunk jótállást, hogy a normál, használati utasításnak megfelelő használat mellett gyártási hibáktól mentes lesz.

Ez a jótállás nem átruházható, csak az eredeti kiskereskedelmi vásárlóra vonatkozik, és csak akkor érvényes, ha a vásárlást egy hivatalos kiskereskedőtől származó bizonylattal igazolják. A jótállás érvényesítéséhez meg kell őrizni a vásárlást igazoló bizonylatot.

A jótállás csak a vásárlás eredeti országában érvényes. Erre a jótállásra annak az országnak a feltételei vonatkoznak, amelyben a terméket megvásárolták. A feltételek változhatnak. Az UPPAbaby nem szállít csere- vagy pótalkatrészeket a vásárlás országán kívülre.

Az UPPAbaby a vállalat által megfelelőnek ítélt cserealkatrészeket biztosít vagy javításokat végez. Az UPPAbaby fenntartja a jogot, hogy a termék helyett csereterméket biztosítson. Egyes alkatrészeket újabb modellű alkatrészekre lehet cserélni, mivel az elemet idővel továbbfejlesztik.

Ez a jótállás nem terjed ki az alábbiakra:

- Nem rendeltetésszerű használat vagy rossz karbantartás által okozott hibák. (A termék használatára és karbantartására vonatkozó útmutatást a termék használati utasítása tartalmazza).
- Az UPPAbaby alkatrészek és/vagy tartozékok helytelen beszerelése által okozott károk. (A termék összeszerelésével és használatával kapcsolatos útmutatást a termék használati utasítása tartalmazza).
- A nem megfelelő karbantartás, szervizelés vagy tárolás miatti korrózió, penész vagy rozsdá okozta károk.
- Normál kopásból eredő sérülések.
- Nap, izzadság, mosószerek, nedves tárolási körülmények vagy gyakori mosás okozta károsodás vagy romlás.
- Harmadik fél által végzett javítások vagy módosítások.
- Nem hivatalos kereskedőtől vásárolt termék. (A hivatalos kiskereskedők az uppbaby.com weboldalon találhatóak.)
- Második tulajdonosok és nem a regisztráló felhasználók.
- A légi szállításból és kezelésből eredő károk.
- Balesetet szenvedett termékek.

Az UPPAbaby fenntartja a jogot annak megállapítására, hogy a jótállási feltételek teljesültek-e.

Garanciális szervizeléshez: Az Egyesült Államokban* és Kanadában lépjen kapcsolatba az UPPAbaby ügyfélszolgálatával a (844) 823-3132-es telefonszámon, látogasson el az uppbaby.com/support oldalra, és küldjön e-mailet.

*Az Egyesült Államokon belül a jótállási feltételek államonként eltérhetnek.

Az Egyesült Államokon és Kanadán kívül forduljon a helyi forgalmazóhoz. A forgalmazókkal kapcsolatos információk az uppbaby.com/global-distributors oldalon találhatóak.



ČIŠĆENJE

Očistite okvir/kućište vlažnom krpom i blagim deterdžentom; temeljno osušite. NEMOJTE koristiti abrazivna sredstva.

Da biste produžili vek trajanja tkanine vašeg proizvoda, održavajte je čistom i ne ostavljajte je dugo na direktnoj sunčevoj svetlosti.

NEMOJTE savijati ili skladištiti proizvod ako je vlažan ili mokar, niti ga čuvati u vlažnom okruženju.

SPOLJNA KOLEVKA

Očistite ili ručno operite u hladnoj vodi blagim deterdžentom. NE izbeljivati.

Osušite ravno i dalje od direktne sunčeve svetlosti pre ponovne upotrebe ili skladištenja.

NEMOJTE peglati ili hemijski čistiti.

UNUTRAŠNJA KOLEVKA

Blagi ciklus pranja u mašini blagim deterdžentom. NE izbeljivati.

Osušite ravno i dalje od direktne sunčeve svetlosti pre ponovne upotrebe ili skladištenja.

NEMOJTE peglati ili hemijski čistiti.

ODRŽAVANJE I POPRAVKA

Ovaj proizvod zahteva redovnu proveru i održavanje od strane korisnika. Proverite sve spojne metalne delove (nitne, vijke, itd.) da biste utvrdili da li su pričvršćeni i bezbedni. Proverite da li sve kočnice, gume, pojasevi sedišta i brave pravilno funkcionišu. Zatražite brze popravke ili zamene po potrebi i nikada nemojte nastaviti da koristite proizvod ako strukturno nije bezbedan.

Treba koristiti isključivo zamenske delove kompanije UPPAbaby. Može biti nebezbedno koristiti delove koje isporučuje drugi proizvođač.

Ako imate pitanja o popravci, obratite se korisničkoj službi.

3 GODINE OGRANIČENE GARANCIJE

Za vaš UPPAbaby proizvod se garantuje da nema proizvodnih nedostataka u periodu od 3 godine od datuma kupovine pod uslovima normalne upotrebe i upotrebe u skladu sa uputstvima za upotrebu.

Ova garancija nije prenosiva i odnosi se samo na prvobitnog kupca koji je kupovinu obavio u maloprodajnoj radnji i važi samo kada je dostavljen dokaz o kupovini od ovlašćenog prodavca. Za ovu garanciju mora se sačuvati dokaz o kupovini.

Garancija važi samo u prvobitnoj zemlji kupovine. Ova garancija podleže uslovima navedenim u zemlji u kojoj su predmeti kupljeni. Uslovi se mogu razlikovati. UPPAbaby neće isporučivati rezervne delove ili popravljati delove izvan zemlje u kojoj je obavljena kupovina.

UPPAbaby će obezbediti zamenske delove ili izvršiti popravke po nahođenju kompanije. UPPAbaby zadržava pravo zamene artikla zamenskim delom. Neki delovi se mogu zameniti delovima novijih modela jer se artikli vremenom poboljšavaju.

Ova garancija ne pokriva sledeće:

- Kvarovi uzrokovani pogrešnom upotrebom ili lošim održavanjem. (Pogledajte uputstvo za upotrebu i održavanje proizvoda).
- Oštećenje izazvano nepravilnom instalacijom delova i/ili dodatne opreme UPPAbaby. (Uputstva za sklapanje i upotrebu artikala potražite u uputstvu za upotrebu proizvoda).
- Oštećenja nastala usled korozivne buđi ili rđe usled lošeg održavanja, servisiranja ili skladištenja.
- Oštećenja usled normalnog habanja.
- Oštećenja ili propadanja uzrokovana suncem, znojem, deterdžentima, vlažnim uslovima skladištenja ili čestim pranjem.
- Popravke ili modifikacije koje je izvršilo treće lice.
- Proizvod kupljen od neovlašćenog prodavca. (Odobreni prodavci su navedeni na našem veb-sajtu uppababy.com).
- Drugi vlasnici i korisnici osim korisnika koje obavlja registraciju.
- Šteta nastala zbog otpreme i tretiranja u avionu.
- Proizvodi koji su učestvovali u nezgodi.

UPPAbaby zadržava pravo da utvrdi da li su ispunjene odredbe i uslovi garancije.

Za garantni servis: U SAD* i Kanadi kontaktirajte sa korisničkom službom kompanije UPPAbaby (844) 823-3132 i posetite uppababy.com/support da biste poslali e-pismo.

*U SAD uslovi garancije se mogu razlikovati od države do države.

Izvan SAD i Kanade obratite se lokalnom distributeru. Informacije o distributeru mogu se naći na uppababy.com/global-distributors.

ضمان محدود لمدة 3 سنوات

يشمل الضمان خلو منتج UPPAbaby الخاص بك من عيوب التصنيع لمدة 3 سنوات من تاريخ الشراء في ظل الاستخدام العادي ووفقاً لتعليمات التشغيل.

هذا الضمان غير قابل للتحويل ويمتد لمشتري التجزئة الأصلي فقط وهو صالح عندما يتم تقديمه مع إثبات الشراء من بائع تجزئة معتمد فقط. يجب الاحتفاظ بإثبات الشراء من أجل هذا الضمان.

الضمان صالح في بلد الشراء الأصلي فقط. يخضع هذا الضمان للشروط التي تحددها الدولة التي تم شراء العناصر فيها، قد تختلف الشروط. لن تقوم UPPAbaby بشحن بدائل أو قطع غيار خارج بلد الشراء.

ستقوم UPPAbaby بتوفير قطع غيار أو إجراء إصلاحات وفقاً لما تحدده الشركة. تحتفظ UPPAbaby بالحق في استبدال العنصر بقطعة غيار. قد يتم استبدال بعض الأجزاء بأجزاء من طراز أحدث حيث يتم تحسين العنصر بمرور الوقت.

هذا الضمان لا يغطي:

- العيوب الناتجة عن سوء الاستخدام أو سوء الصيانة. (يرجى الرجوع إلى كتيب تعليمات المنتج للحصول على إرشادات حول استخدام العنصر والصيانة).
 - التلف الناتج عن التركيب غير الصحيح لأجزاء و/أو ملحقات UPPAbaby. (يرجى الرجوع إلى كتيب تعليمات المنتج للحصول على إرشادات حول تجميع العنصر واستخدامه).
 - التلف الناتج عن التآكل أو العفن أو الصدأ نتيجة لسوء الصيانة أو الخدمة أو التخزين.
 - الأضرار الناتجة عن البلى العادي.
 - التلف أو التدهور الناجم عن الشمس أو العرق أو المنظفات أو ظروف التخزين الرطبة أو الغسيل المتكرر.
 - الإصلاحات أو التعديلات التي قام بها طرف ثالث.
 - تم شراء المنتج من بائع تجزئة غير مصرح به. (تجار التجزئة المعتمدون مدرجون على موقعنا الإلكتروني uppababy.com).
 - المالك أو المستخدم الثاني بخلاف الشخص المسجل.
 - الأضرار الناتجة عن الشحن الجوي والمناولة.
 - المنتجات التي كانت جزءاً من حادث.
- تحتفظ UPPAbaby بالحق في تحديد ما إذا تم استيفاء شروط الضمان وأحكامه.
- لخدمة الضمان: في الولايات المتحدة* وكندا، يُرجى التواصل مع خدمة عملاء UPPAbaby على الرقم (844) 3132-823 وتفضّل زيارة uppababy.com/support لإرسال رسالة إلكترونية.
- *داخل الولايات المتحدة، قد تختلف شروط الضمان من ولاية إلى أخرى.
- يرجى الاتصال بالموزع المحلي لديك خارج الولايات المتحدة وكندا. يمكن العثور على معلومات الموزع على uppababy.com/global-distributors.

التنظيف

قم بتنظيف بقطعة قماش مبللة ومنظف خفيف، مع التجفيف بعناية. يجب عدم استخدام مواد الحكّ. ولمدّ عمر أقمشة المنتج، حافظ على نظافتها ولا تتركها عرضة لضوء الشمس المباشرة لفترات زمنية طويلة. يجب عدم طي المنتج أو تخزينه إذا كان رطباً أو مبللاً، ويجب عدم تخزينه في بيئة رطب.

سريّر أطفال خارجي

يمكنك تنظيف البقع وغسله يدويًا في الماء البارد باستخدام منظف معتدل. يحظر استعمال مبيض. يمكن تجفيفه بشكلٍ مسطح وبعيدًا عن أشعة الشمس المباشرة قبل إعادة الاستخدام أو التخزين. يحظر الكي أو التنظيف المجفف.

سريّر أطفال داخلي

يمكنك غسله في الغسالة بالماء البارد وفي دورة لطيفة باستخدام منظف معتدل. يحظر استعمال مبيض. يمكن تجفيفه بشكلٍ مسطح وبعيدًا عن أشعة الشمس المباشرة قبل إعادة الاستخدام أو التخزين. يحظر الكي أو التنظيف المجفف.

لصيانة والإصلاح

يتطلب هذا الإجراء تنفيذ المستخدم لعمليات الفحص والصيانة بشكلٍ دوري. يجب فحص جميع أجزاء التوصيل (البراشيم والبراغي وغيرها) للتأكد من إحكام ربطها وتثبيتها. يجب فحص جميع الفرامل والإطارات وأحزمة المقعد والأقفال للتأكد من عملها بصورة صحيحة. يجب تنفيذ عمليات الإصلاح الفورية أو الاستبدال عند الحاجة وعدم مواصلة استخدام المنتج في حالة عدم أمان تركيبه.

يجب استخدام قطع غيار UPPAbaby فقط عند الاستبدال. وقد يكون من غير الآمن استخدام قطع الغيار التي توفرها جهات التصنيع الأخرى. اتصل بخدمة العملاء بخصوص أي أسئلة حول الإصلاح.

אחריות מוגבלת למשך שלוש שנים

מוצר UPPAbaby שלכם נמצא תחת אחריות להיות נקי מפגמי ייצור לתקופה של 3 שנים ממועד הרכישה, בשימוש רגיל ובהתאם להוראות התפעול. אחריות זו אינה ניתנת להעברה וחלה רק על הרוכש הפרטי המקורי והיא תקפה רק אם מלווה בהוכחת רכישה מקמעונאי מורשה. יש לשמור את הוכחת הרכישה לצורך אחריות זו.

האחריות תקפה רק במדינת הרכישה המקורית. אחריות זו כפופה לתנאים שנקבעו במדינה שבה נרכשו הפריטים. התנאים עשויים להשתנות. UPPAbaby לא תשלח חלקי חילוף או חלקי תיקון מחוץ למדינת הרכישה.

חלקים מסוימים עשויים להיות מוחלפים בחלקי דגמים חדשים יותר מכיוון שהפריט משתפר עם הזמן. אחריות זו אינה מכסה:

- פגמים שנגרמו כתוצאה משימוש לא נכון או תחזוקה לקויה. (נא לעיין בחוברת הוראות המוצר לקבלת הנחיות לגבי השימוש בפריט ותחזוקתו).
- נזק שנגרם על ידי התקנה לא נכונה של חלקי UPPAbaby ו/או אביזרים. (נא לעיין בחוברת הוראות המוצר לקבלת הנחיות לגבי הרכבת הפריט והשימוש בו).
- נזק שנגרם על ידי עובש, קורוזיה או חלודה עקב תחזוקה, שירות או אחסון לקויים.
- נזק הנובע מבלאי רגיל.
- נזק או התפרקות הנגרמים על ידי השמש, זיעה, חומרי ניקוי, תנאי אחסון לחים או שטיפות תכופות.
- תיקונים או שינויים שבוצעו על ידי צד שלישי.
- מוצר שנרכש מקמעונאי לא מורשה. (קמעונאים מורשים מופיעים באתר האינטרנט שלנו uppababy.com).
- בעלים ומשתמשים שניים שאינם הרוכש הנרשם.
- נזק שנגרם כתוצאה מהובלה וטיפול על ידי חברת התעופה.
- מוצרים שהיו מעורבים בתאונה.

UPPAbaby שומרת לעצמה את הזכות להחליט אם התקיימו תנאי האחריות.

לטובת שירות במסגרת האחריות: בארה"ב * ובארה"ב יש ליצור קשר עם 823-3132-844 UPPAbaby Customer Experience ולבקש בכתובת uppababy.com/support כדי לשלוח דוא"ל. ייתכן כי תנאי האחריות ישתנו בין מדינה למדינה בארה"ב.

מחוץ לארה"ב ו-CA, נא ליצור קשר עם המפיץ המקומי שלכם. ניתן למצוא את פרטי המפיץ בכתובת: uppababy.com/global-distributors.

בניקוי

יש לנקות את השלדה עם מטלית טבולה קלות בדטרגנט עדין ולאחר מכן, לייבש בצורה יסודית. אין להשתמש בחומרים שוחקים. על מנת לארוך את חיי הבדים שעל המוצר שלך, יש לשמור עליהם נקיים ולא להשאיר את המוצר באור שמש ישיר למשך זמן רב. אסור לקפל או לאחסן את המוצר כשהוא רטוב או לח או לאחסנו בסביבה לחה.

חלקי הבד החיצוניים של העריסה



ניתן לנקות את הכתמים או לשטוף ידנית במים קרים וחומר ניקוי עדין. אין להלבין. יש לייבש את הפרט כאשר הוא מונח שטוח ולהרחיק אותו מאור שמש ישיר לפני שימוש חוזר או אחסון. אין לגהץ או לתת לניקוי יבש.

חלקי הבד הפנימיים של העריסה



יש לכבס במכונת כביסה במחזור קר ועדין עם חומר ניקוי עדין. אין להלבין. יש לייבש את הפרט כאשר הוא מונח שטוח ולהרחיק אותו מאור שמש ישיר לפני שימוש חוזר או אחסון. אין לגהץ או לתת לניקוי יבש.

תחזוקה ותיקונים

על המשתמש לבדוק את המוצר ולתחזק אותו באופן סדיר. כדי לוודא הידוק ובטיחות, יש לבדוק את כל הציוד המחובר (מסמורת, ברגים וכד'). יש לבדוק את פעולתם התקינה של כל הבלמים, הצמיגים, רתמות המושב והנעילות. יש לתקן ולהחליף בצורה מיידית לפי הצורך. אסור להמשיך להשתמש במוצר אם אינו בטוח לחלוטין מבחינה מבנית.

יש להשתמש אך ורק בחלקי חילוף של UPPAbaby. שימוש בחלקי חילוף שסופקו על ידי יצרנים אחרים עלול להיות מסוכן.



清洗

使用湿布和温和清洁剂清洗(底盘)(车架);彻底干燥。严禁使用磨蚀材料。

如果(底盘)(车架)部件接触了盐水,我们建议您尽快使用自来水冲洗以避免腐蚀。如果车架弄湿,请务必擦干。

为延长产品面料的使用寿命,请保持表面干净整洁,避免长时间的阳光直射。

产品如果潮湿或受潮,请不要折叠或收纳,也不要收纳在潮湿的环境中。

睡篮外部

使用温和的洗涤剂在冷水中局部清洁或手洗。切勿漂洗。

在重新使用或存放之前,请平铺晾干并避免阳光直射。

切勿熨烫或干洗。

睡篮内部

使用温和的洗涤剂在冷水中轻柔机洗。切勿漂洗。

在重新使用或存放之前,请平铺晾干并避免阳光直射。

切勿熨烫或干洗。

保养和修理

本产品需要用户定期检查和保养。检查所有连接硬件(铆钉、螺丝等),看是否紧固和安全。检查所有刹车、轮胎、座椅背带和锁定机构,看是否正确运行。根据需要及时维修或更换,如果发现产品结构上不安全,请勿继续使用。

只能使用 UPPAbaby 的替换部件。使用其他制造商提供的部件可能不安全。

如有任何维修方面的问题请联系客服。

3年有限保修

自UPPAbaby产品购买之日起3年内,在正常使用和遵循操作说明的情况下,出现的制造缺陷均在保修范围内。

此保修权利不可转让,仅适用于原始零售购买者,并且仅在提供购买凭证的情况下有效。请在此有限的保修期内保留购买凭证。

保修仅在原始购买国家/地区有效。此保修受产品购买地所在的国家/地区所规定的条件约束。条件可能会发生变化。UPPAbaby不会将替换件或维修件运送至购买地国家/地区之外。

UPPAbaby将在公司认为合适的情况下提供替换件或进行维修。UPPAbaby保留将产品部件与替换件互换的权利。由于产品在不断改进,因此某些部件可能会被替换为更新型号的部件。

注意,在以下情况下,此质保将不涵盖:

- 问题是因滥用或维护不善导致的。(请参考此说明书以了解有关产品使用和维系的指导信息)。
- 损坏是因UPPAbaby部件和/或配件安装不当导致的。(请参考此说明书以了解有关产品装配和使用的指导信息)。
- 损坏为因缺少维护、保养或储存不当而导致的腐蚀、发霉或生锈。
- 损坏是因日常使用或疏忽导致的一般磨损所造成的。
- 损坏或老化是因日晒、汗渍、清洁剂、潮湿的存放环境或频繁清洗导致的。
- 由第三方进行的维修或改装。
- 产品是从未经授权的销售商处购买的。(经授权的销售商已在我们的网站uppababy.com上列出)。
- 产品是二手的。
- 产品因航空运输或货运造成的损坏。
- 产品因事故造成的损坏。

UPPAbaby保留确定是否满足保修条款和条件的权利。

有关保修服务:美国和加拿大的客户,请联系UPPAbaby客户体验中心,电话:(844) 823-3132并访问uppababy.com/support和发送电子邮件。

*在美国,保修条件可能因州而异。

美国和加拿大以外的国家/地区,请联系当地分销商。请访问uppababy.com/global-distributors,获取分销商信息。



USA | UPPAbaby, 276 Weymouth Street, Rockland, MA 02370

Canada | UPPAbaby Canada, 201 Wicksteed Avenue, Suite 2, Toronto, Ontario M4G 0B1

uppababy.com | 1.844.823.3132

Model 0903-BAS

All rights reserved. © 2024 UPPAbaby. UPPAbaby and all associated logos are trademarks. All product specifications are correct at time of print. UPPAbaby reserves the right to change anything at any time without prior notice. Color representation is as close as print processes allow. Not all colors available at all retailers. UBMANI94-V06