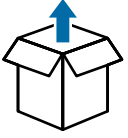



UPPAbaby

# VISTA **V3**




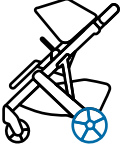





\_\_\_\_\_  3




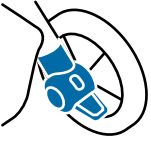
\_\_\_\_\_  4




\_\_\_\_\_  4




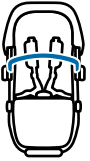
\_\_\_\_\_  5




\_\_\_\_\_  6




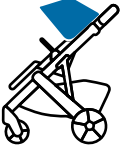
\_\_\_\_\_  6




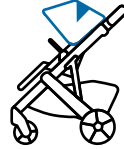
\_\_\_\_\_  7




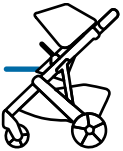
\_\_\_\_\_  8




\_\_\_\_\_  9




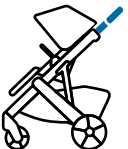
\_\_\_\_\_  9




\_\_\_\_\_  10




\_\_\_\_\_  10




\_\_\_\_\_  11




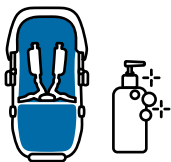
\_\_\_\_\_  12




—  14




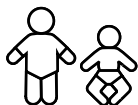
—  16




—  18




—  20




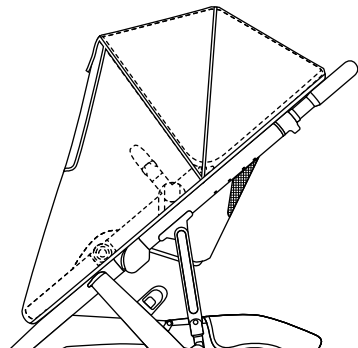
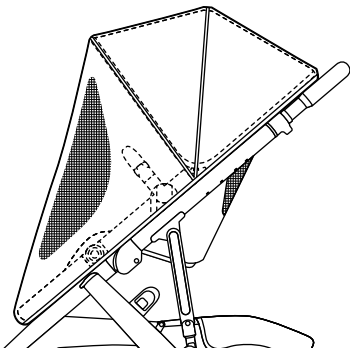
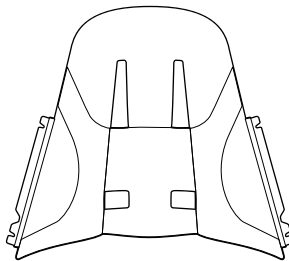
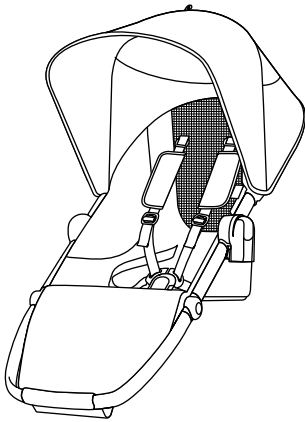
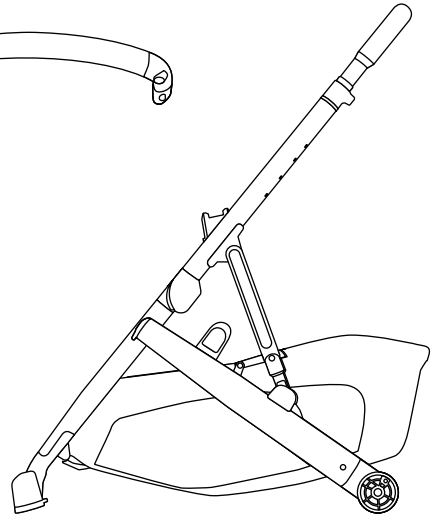
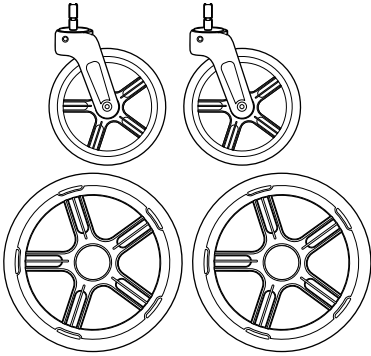
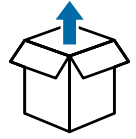
—  22

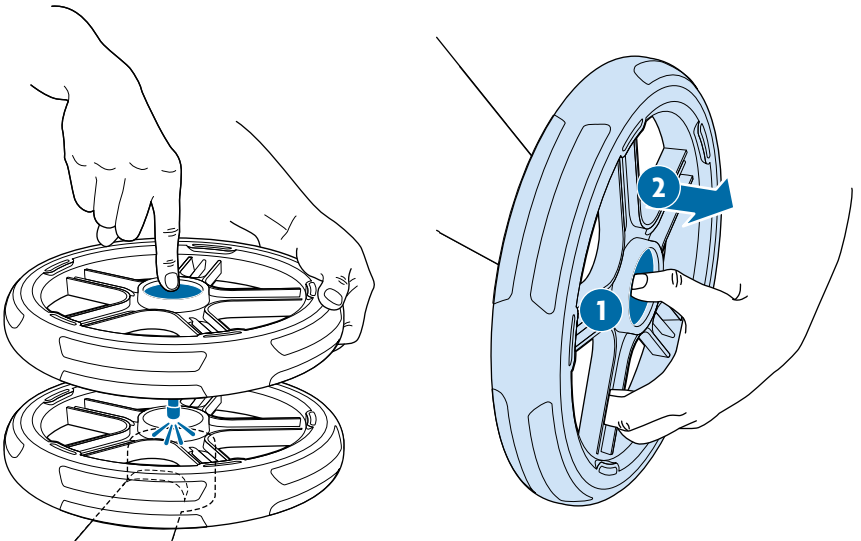
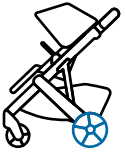
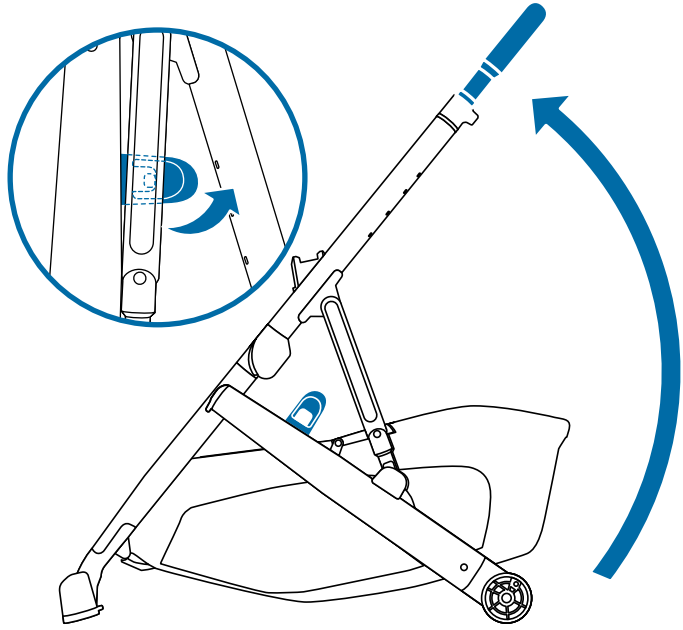


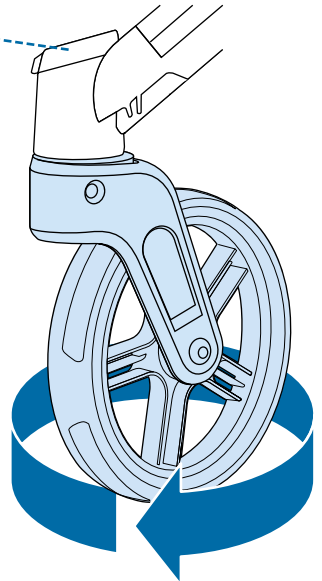
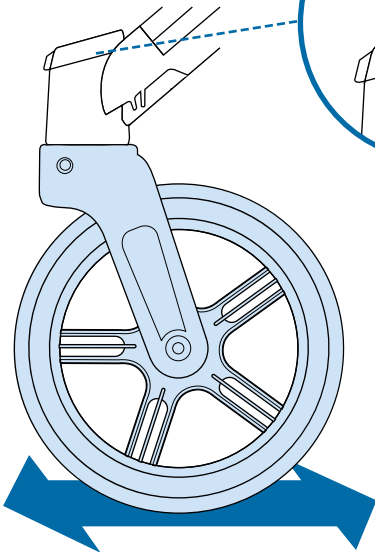
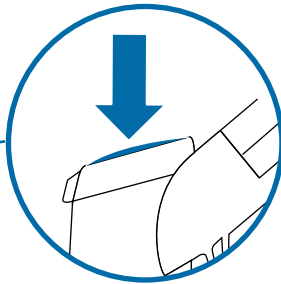
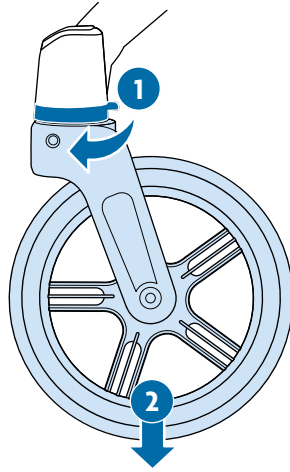
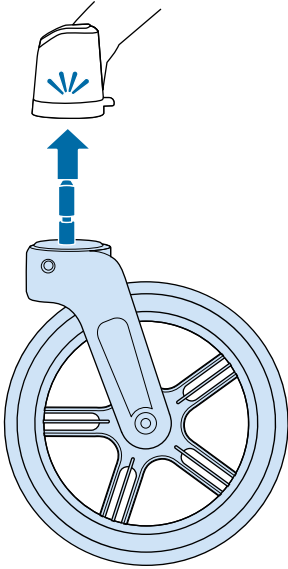
—  24

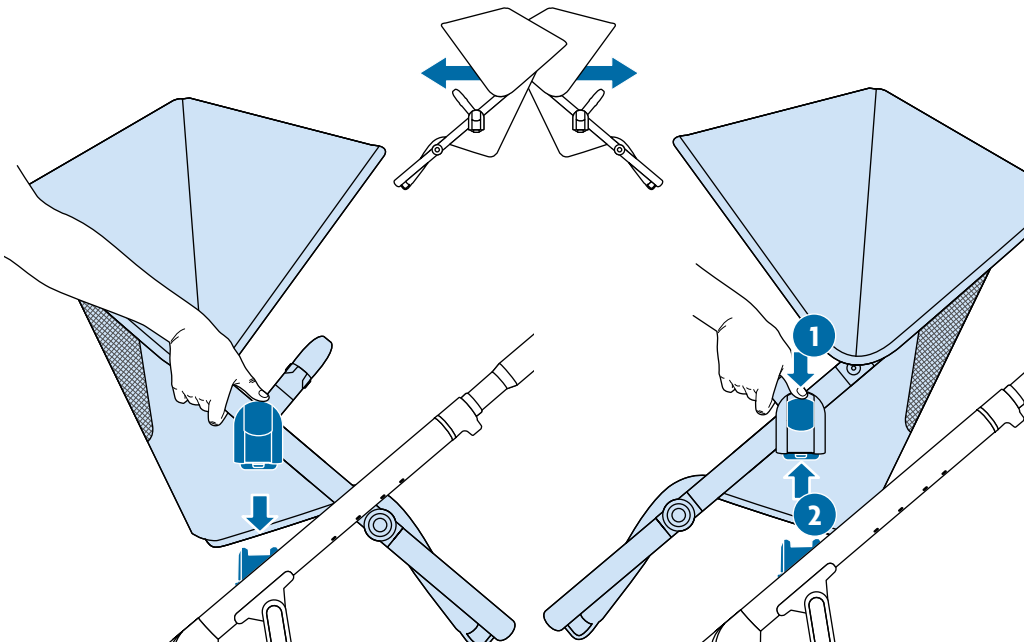
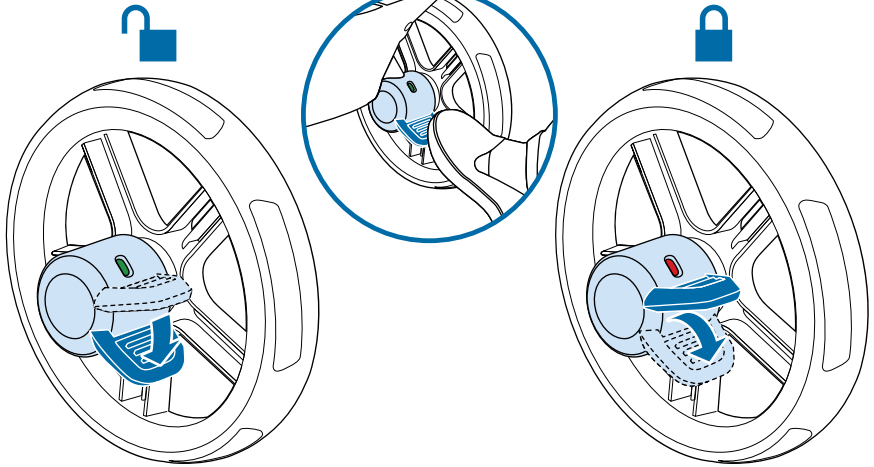
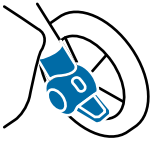


—  34

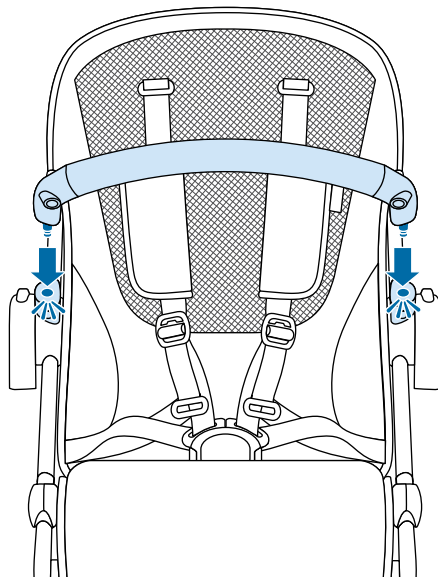
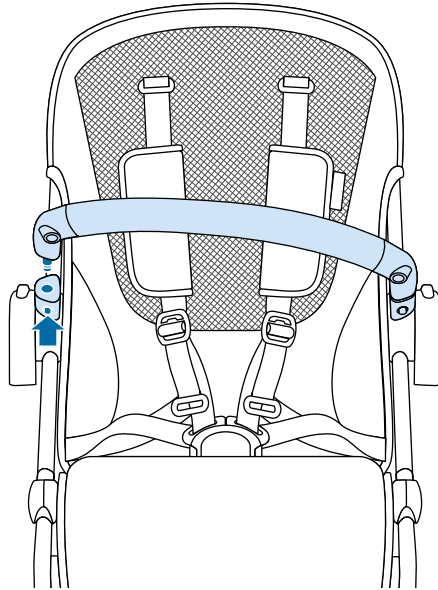
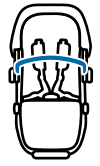


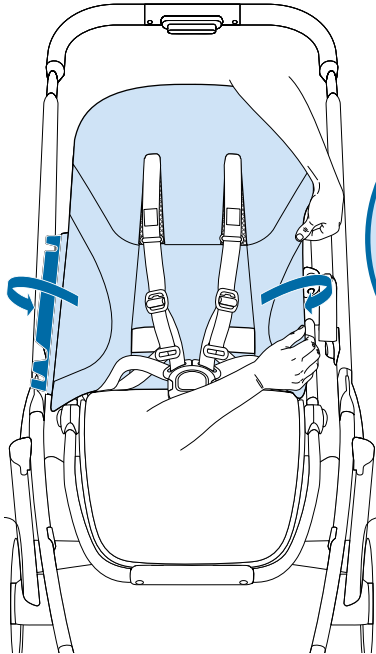
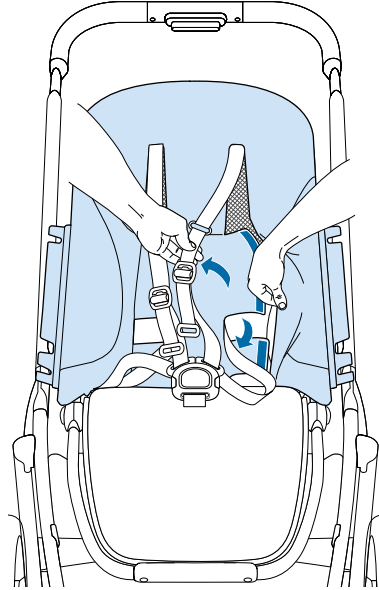
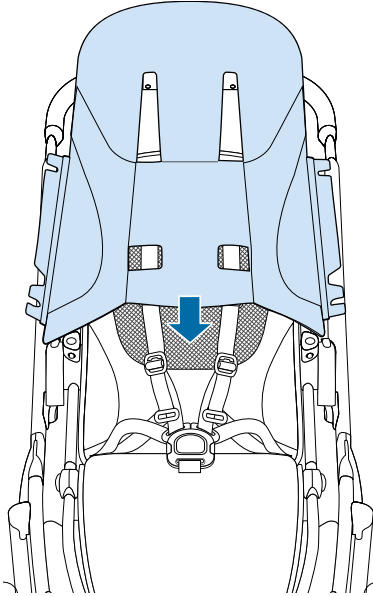


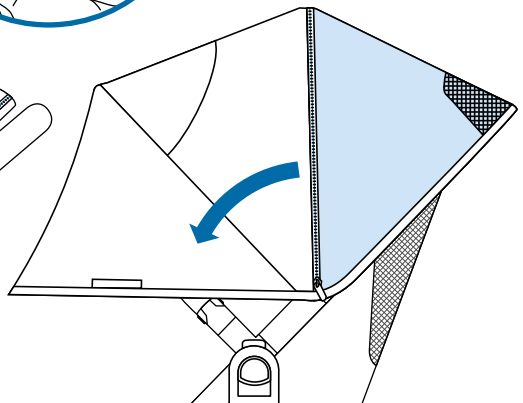
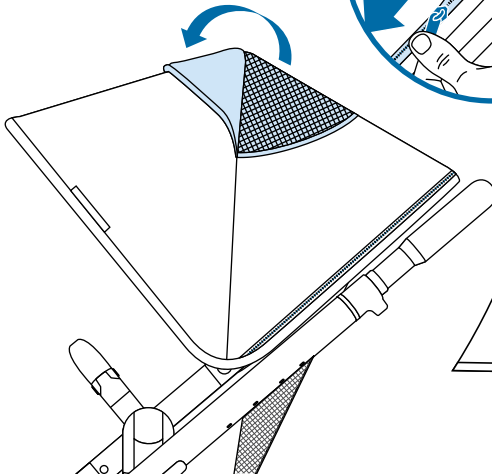
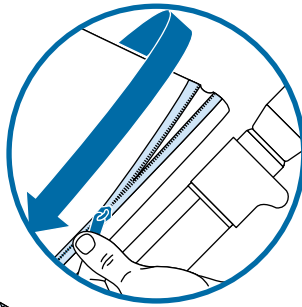
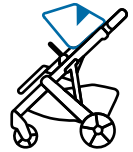
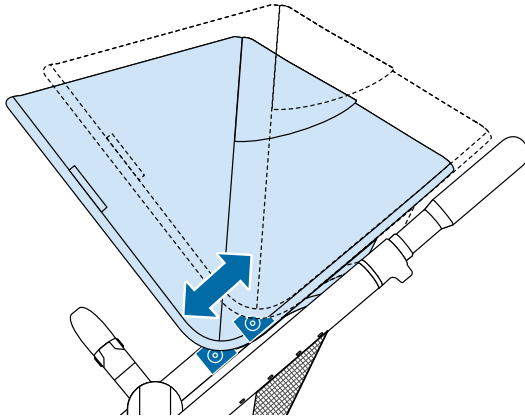
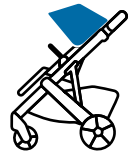


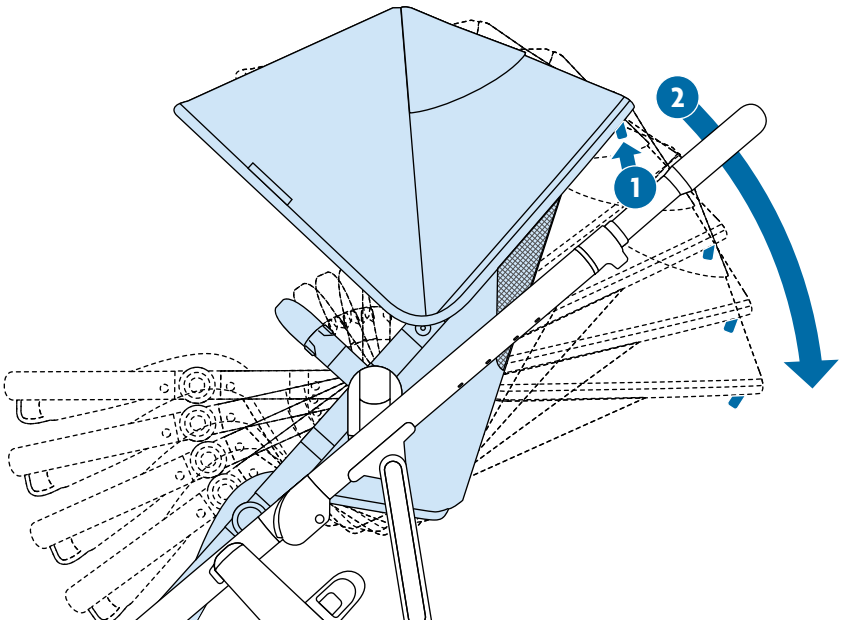
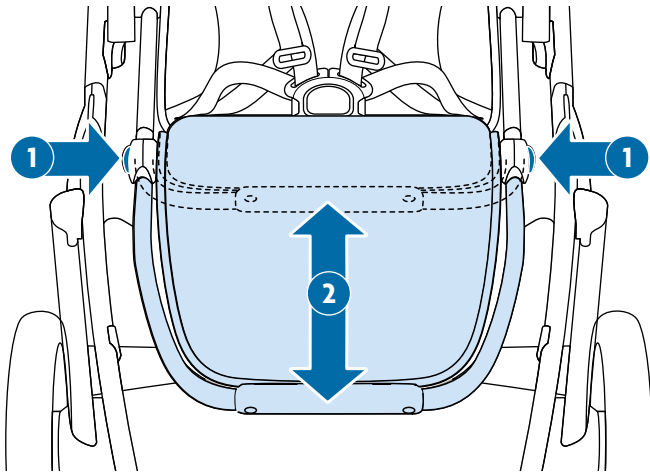
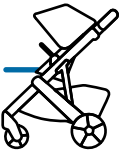


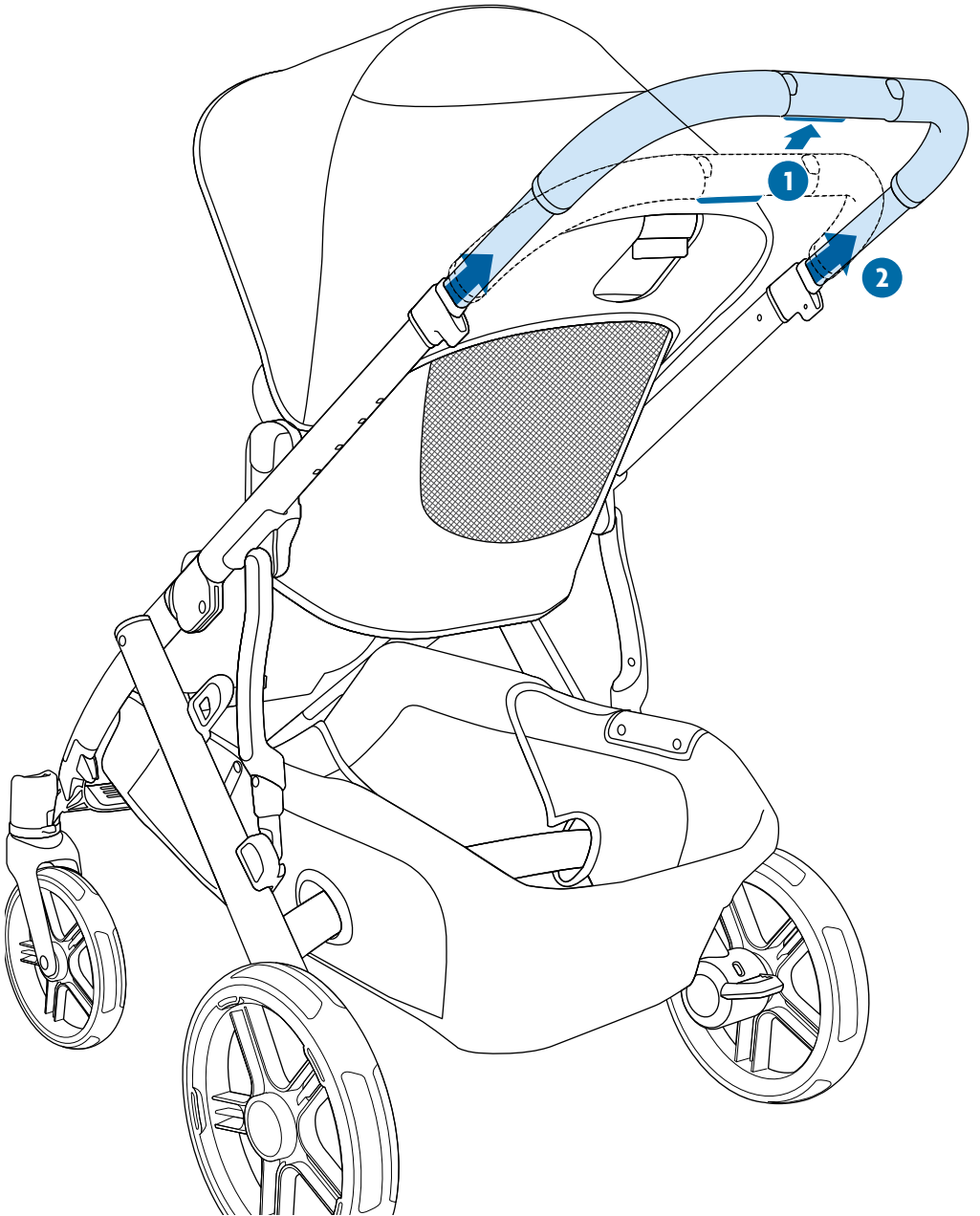


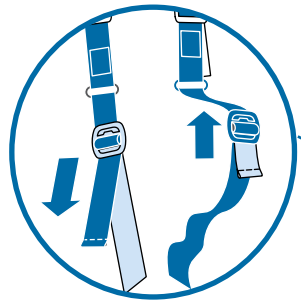


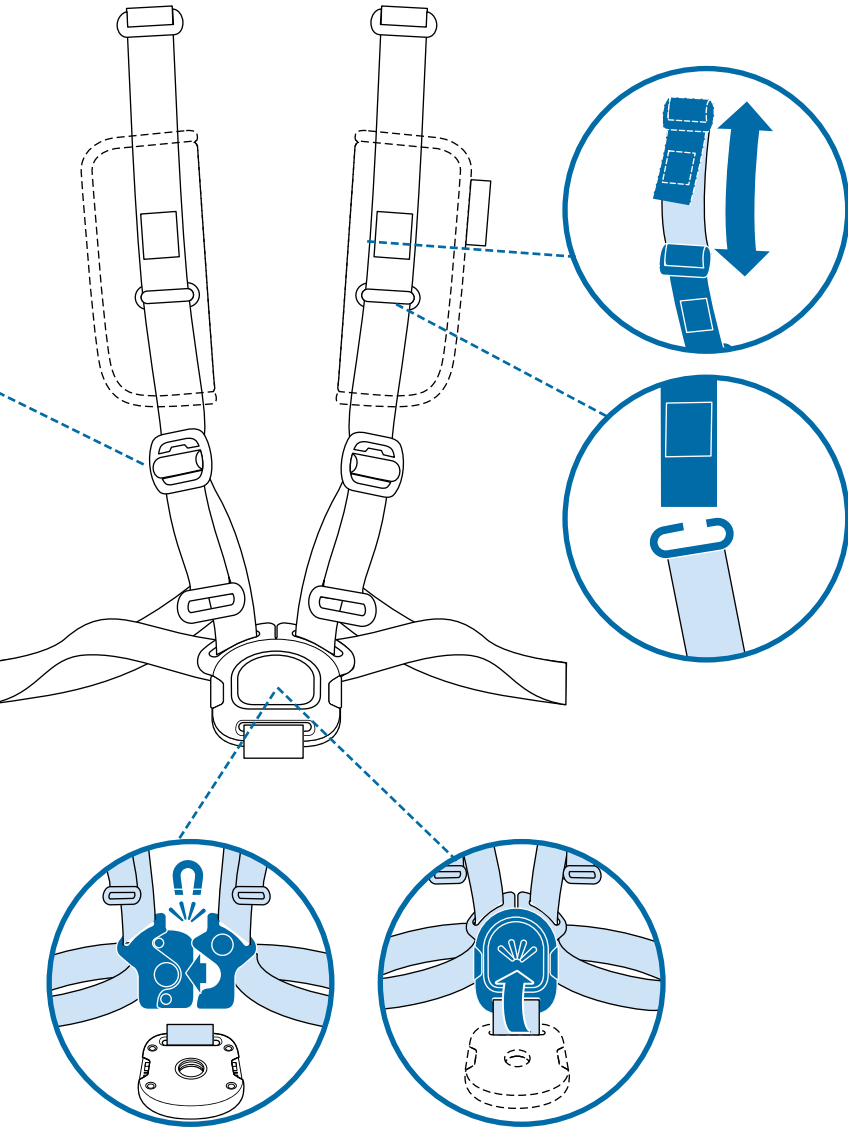


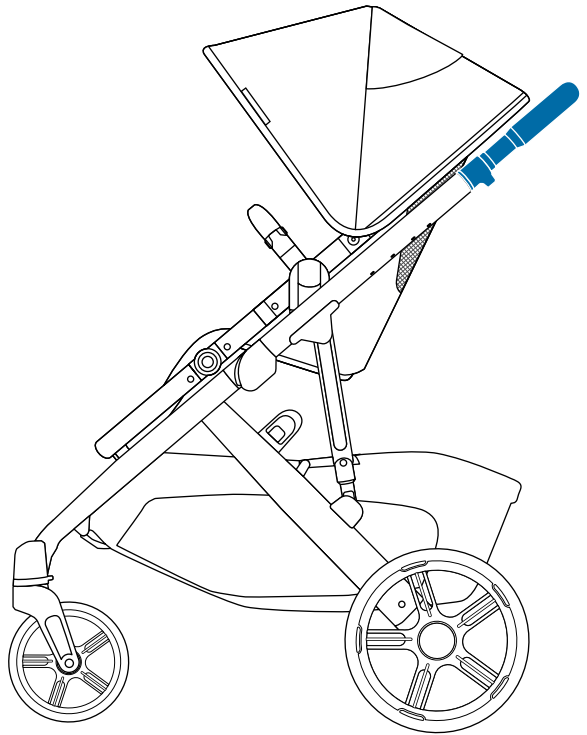
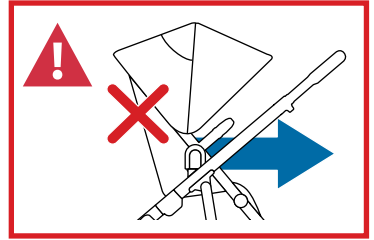
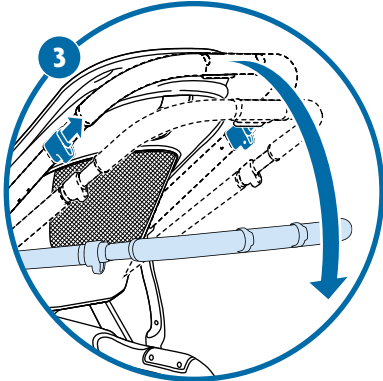
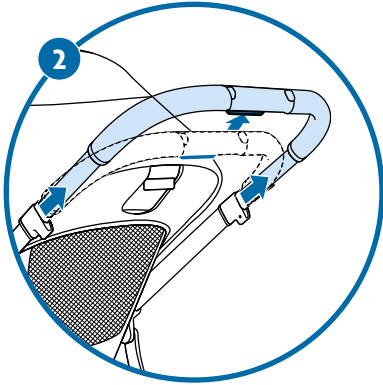
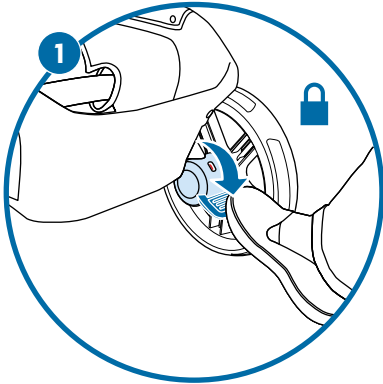




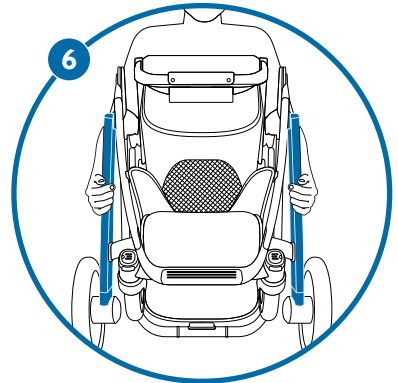
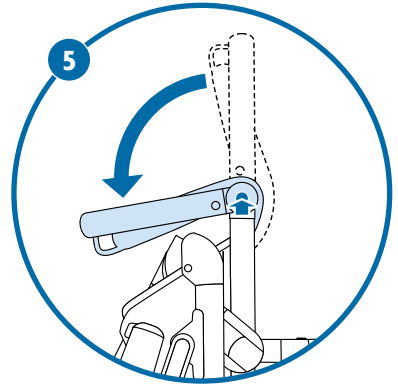
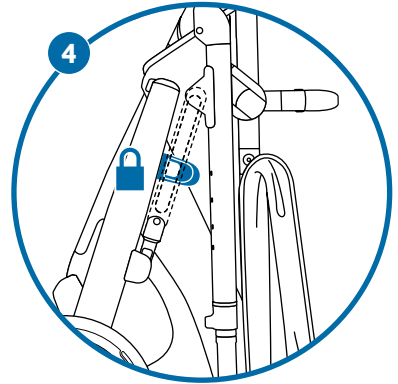
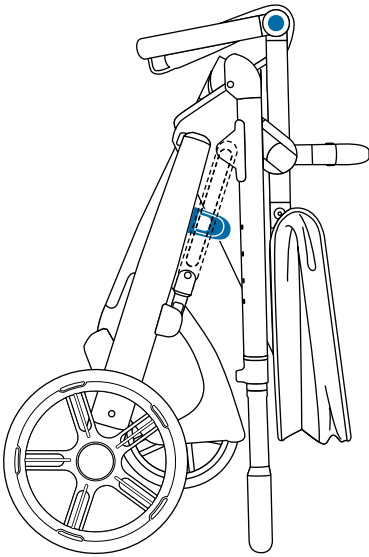


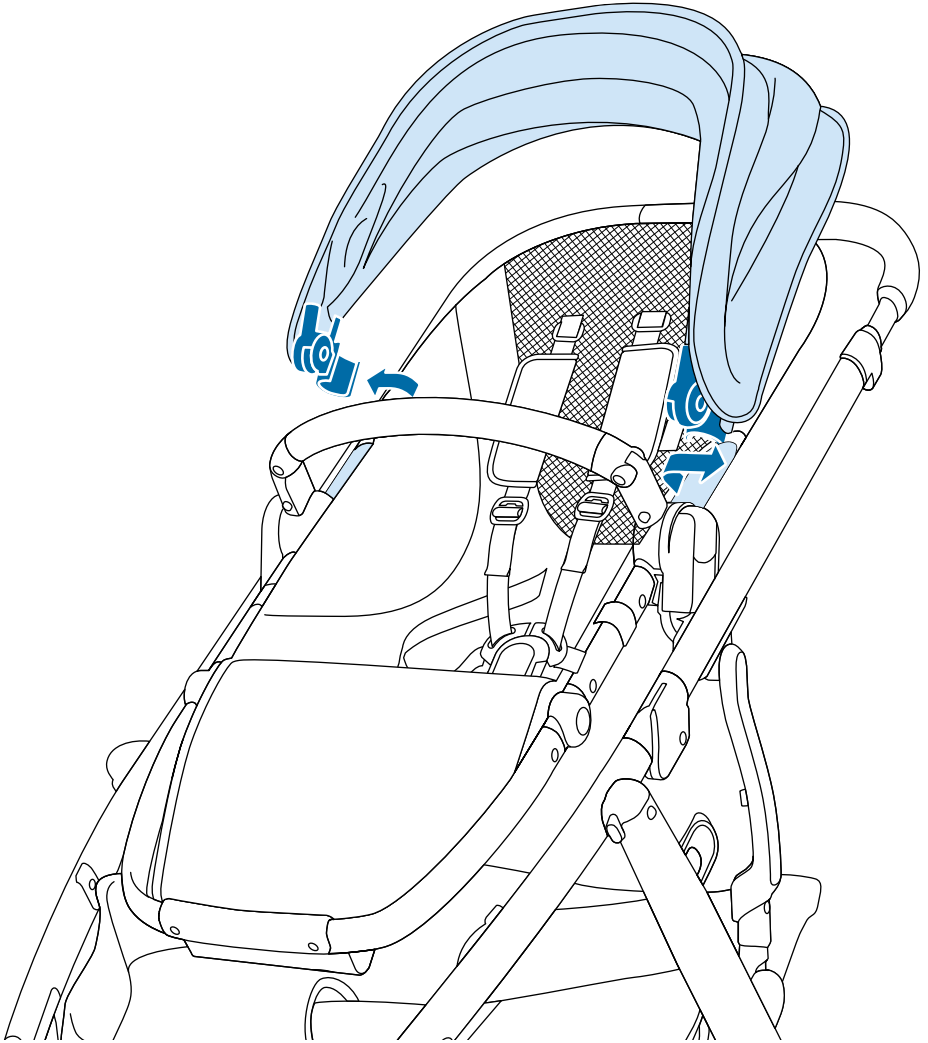
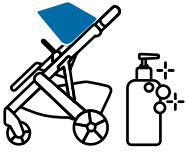


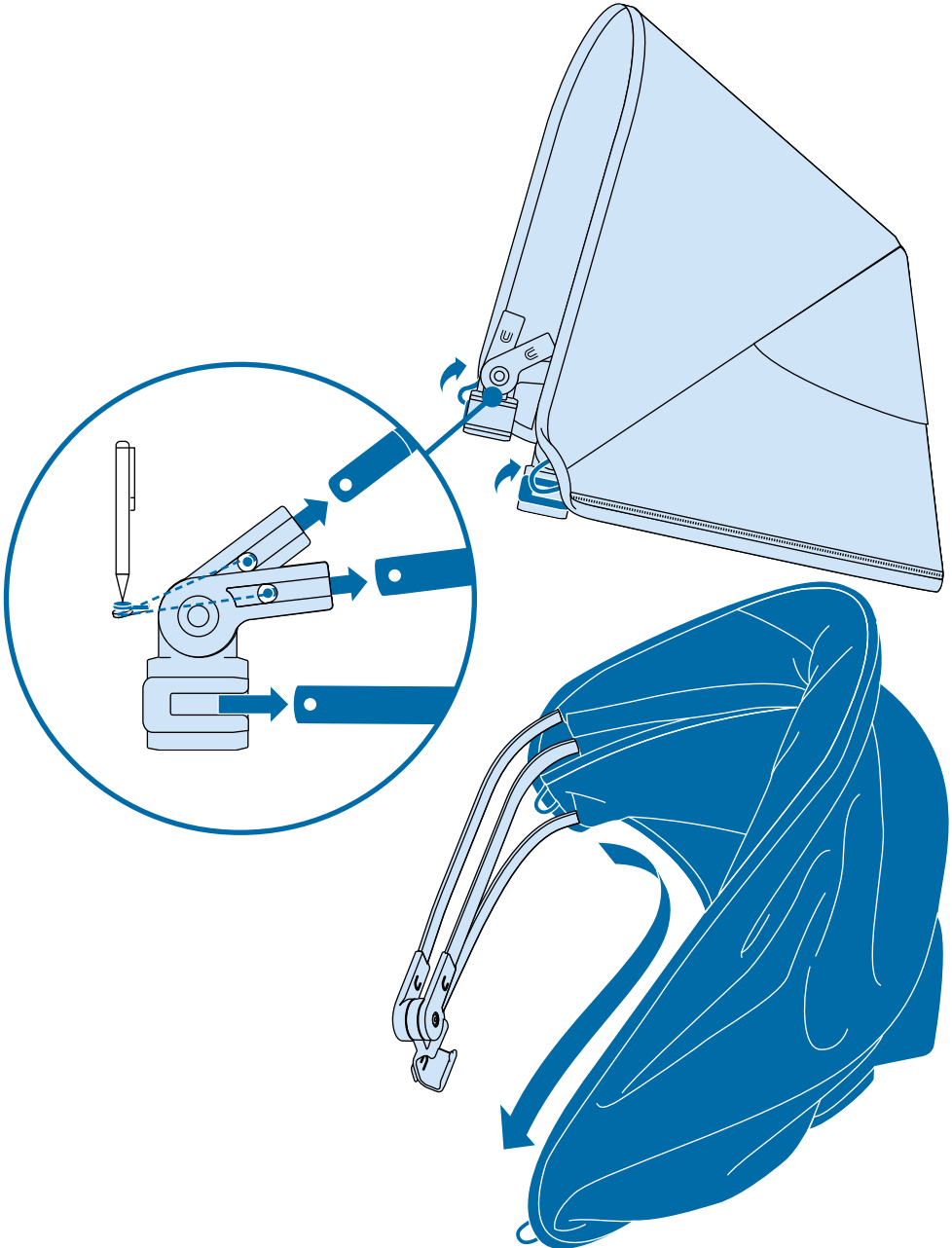


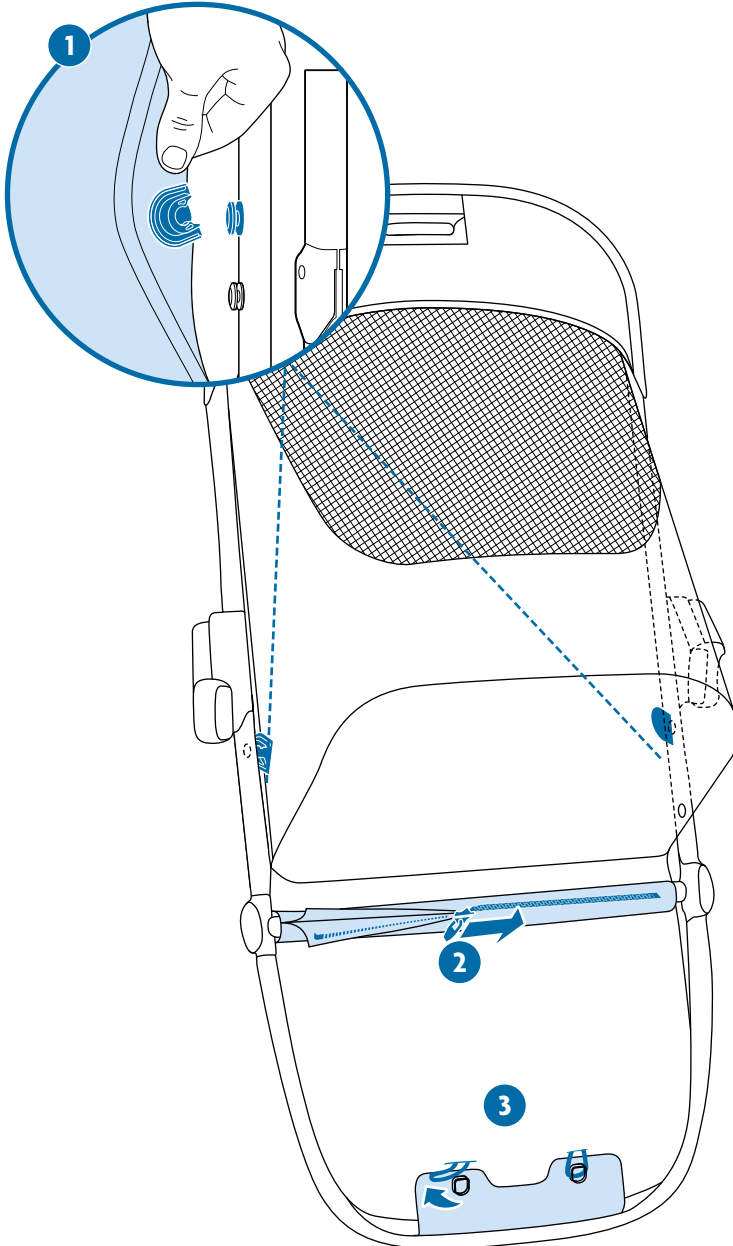
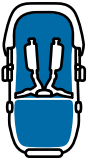


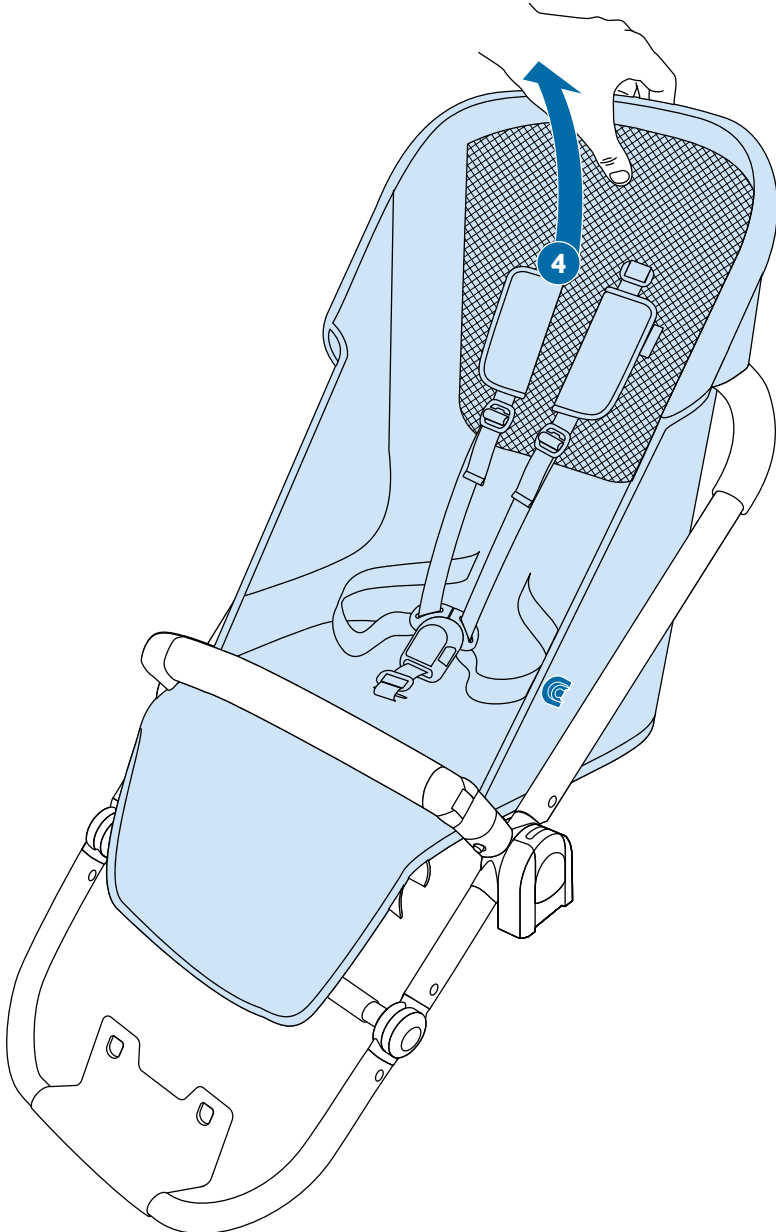
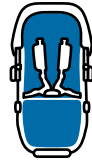


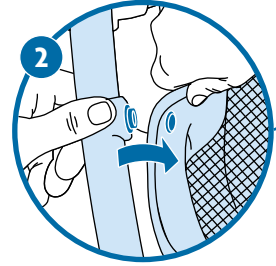
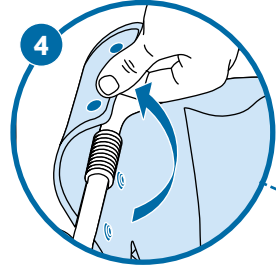


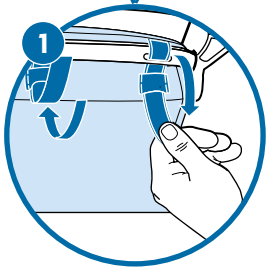
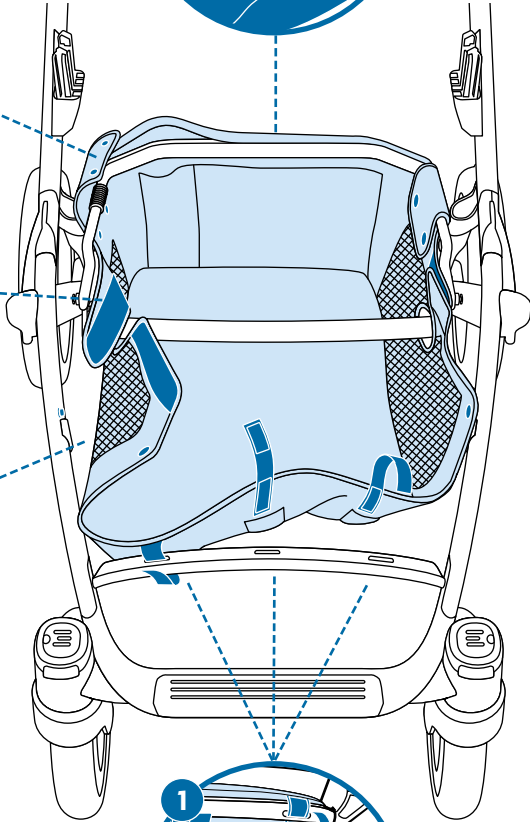
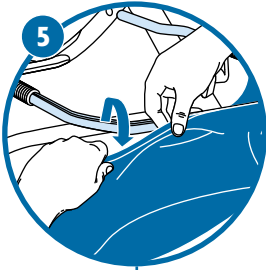






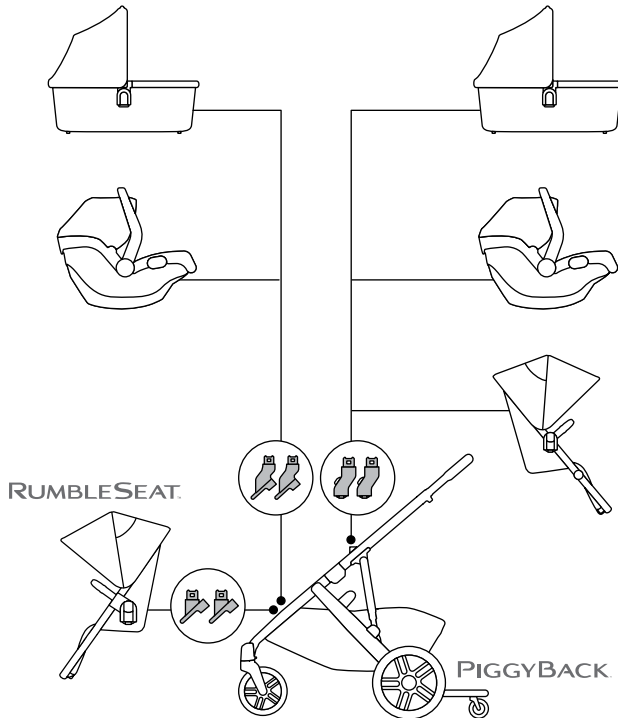








Approved Configurations | Configuraciones aprobadas | Configurations approuvée  
经批准配置 | 核准的配置



EN - Visit [uppababy.com](http://uppababy.com) for other brand compatibility and weight/height limits.

Car seat image represents UPPAbaby car seats and competitive car seats with adapters.

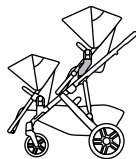
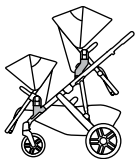
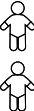
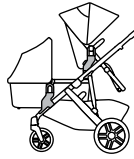
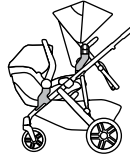
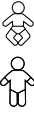
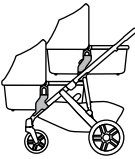
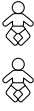
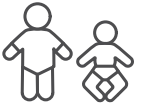
ES - Visite [uppababy.com](http://uppababy.com) para consultar la compatibilidad de otras marcas y los límites de peso/altura. La imagen de silla de coche representa sillas de coche de UPPAbaby y sillas de coches competitivas con adaptadores.

FR - Consultez [uppababy.com](http://uppababy.com) pour connaître la compatibilité avec les autres marques et les limites de poids/taille. L'image représente une comparaison entre les sièges auto UPPAbaby et les sièges auto d'autres marques avec des adaptateurs.

CN - 请访问 [UPPABABY.COM](http://UPPABABY.COM) 了解其他品牌兼容性和重量/高度限制。汽车安全座椅图片代表 UPPABABY 汽车安全座椅和带适配器的竞争性汽车安全座椅。

TW - 請造訪 [UPPABABY.COM](http://UPPABABY.COM) 以取得其他品牌相容性和重量/高度限制的相關資訊。汽車安全座椅影表示 UPPABABY 汽車安全座椅和具轉接器之競爭汽車安裝座椅





▲ Keep these instructions for future reference.

## ▲ WARNING

**NEVER LEAVE CHILD UNATTENDED.**

**FAILURE TO FOLLOW THESE WARNINGS AND INSTRUCTIONS COULD RESULT IN SERIOUS INJURY OR DEATH:**

To avoid serious injury from sliding or falling out, always use complete 5-point harness.

Child may slip into leg openings and strangle. NEVER use in a reclined position unless child is secured in 5-point harness system.

Unit may become unstable if manufacturer's recommended load is exceeded, or if parcel bag or accessory other than that recommended by the manufacturer is used or hung from the unit.

To avoid injuries from finger entrapment, keep child away from this product when unfolding and folding it.

The carriage or stroller will become unstable if the manufacturer's recommended load is exceeded.

This toddler seat is suitable for children from 3 months (from birth with optional Infant SnugSeat accessory) until child is 50 lbs (22.7 kg) and child's height is 40" (101 cm).

Maximum weight for the storage basket is 30 lbs (13.6 kg).

This stroller is intended to be used with one child only, unless equipped with approved UPPAbaby accessory.

Audible "click" must be heard to confirm that each attachment is connected properly.

Bumper bar must be attached at all times.

DO NOT lift the stroller by the bumper bar as it may disengage.

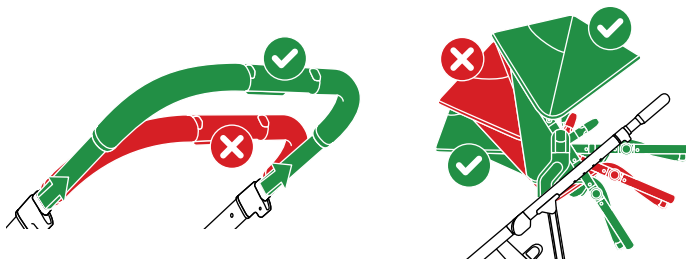
Always make sure stroller is fully open and locked before use.

The brake must be locked while taking the child in or out of the stroller, and when parked.

NEVER leave child in the stroller while ascending or descending stairs, or using an escalator.

DO NOT make any alterations or modifications to the stroller with products not supplied by the manufacturer as this may cause instability or structural damage not covered under warranty.

Magnetic Harness System: The restraint system contains magnets. Do not use stroller if your child has a medical condition that prohibits close proximity to magnets. Please contact UPPAbaby to arrange an alternative harness system.



Use only with the handlebar fully extended when the toddler seat is in the rear-facing position.

This product is JPMA certified.

▲ Guarde estas instrucciones para su referencia en el futuro.

## ▲ ADVERTENCIA

**NUNCA DEJE AL NIÑO SIN VIGILANCIA.**

**NO SEGUIR ESTAS ADVERTENCIAS E INSTRUCCIONES PUEDE PROVOCAR LESIONES GRAVES O LA MUERTE:**

Para evitar que se produzca una lesión grave por deslizamientos o caídas, utilice siempre el arnés de 5 puntos completos.

El niño podría resbalarse en los orificios para las piernas y estrangularse. NUNCA lo utilice en una posición reclinada salvo que el niño esté sujeto por un sistema de arnés de 5 puntos e sujeción.

La unidad podría perder estabilidad si se excede la carga máxima recomendada por el fabricante o si se usa o se cuelga de la unidad una bolsa portapaquetes o un accesorio distinto al recomendado por el fabricante.

Para evitar lesiones por atrapamiento de los dedos, mantén al niño lejos de este producto al desplegarlo y plegarlo.

El carrito o cochecito se volverá inestable si se supera el pesorecomendado por el fabricante.

Guarde estas instrucciones para su referencia en el futuro.

Esta hamaca es adecuada para niños desde los 3 meses (desde el nacimiento con el accesorio opcional SnugSeat, reductor para asiento) hasta que el niño pese 50 lbs (22,7 kg) o mida 40" (101 cm).

El peso máximo de la cesta de almacenaje es 30 lbs (13,6 kg).

Este carrito es para usarse sólo con un niño, a menos que vaya equipado con un accesorio aprobado por UPPAbaby.

Debe oírse un "clic" para confirmar que cada accesorio está conectado correctamente.

La barra de seguridad debe estar colocada en todo momento.

NO levante el carrito por la barra de seguridad, ya que puede soltarse.

Asegúrese siempre de que el carrito está completamente abierto y bloqueado antes de usarlo.

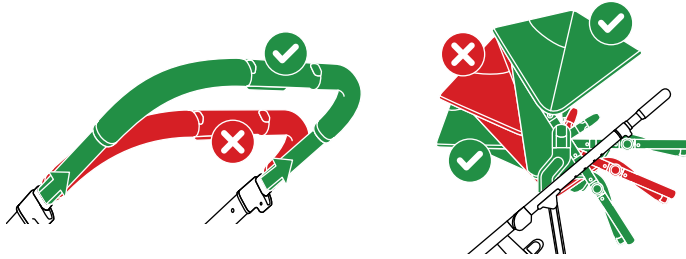
El freno debe estar bloqueado al meter o sacar al niño del carrito, y cuando esté aparcado.

NUNCA deje a un niño dentro del carrito al subir o bajar escaleras, o al usar una escalera mecánica.

NO realice alteraciones o modificaciones en el carrito con productos no proporcionados por el fabricante, puesto que podría provocar inestabilidad o daño estructural no cubierto por la garantía.

Sistema de arnés magnético: el sistema de retención contiene imanes.

No utilices el cochecito si tu hijo padece alguna enfermedad que le impida acercarse a los imanes. Ponte en contacto con UPPAbaby para conseguir un sistema de arnés alternativo.



Utilizar solo con el manillar totalmente extendido cuando la hamaca ergonómica esté orientada hacia atrás.

Este producto está Certificado por JPMA

▲ Conservez ces instructions pour référence ultérieure

## ▲ MISE EN GARDE

**NE JAMAIS LAISSER UN ENFANT SANS SURVEILLANCE.**

**LE NON RESPECT DE CES MISES EN GARDE OU DE CES DIRECTIVES PEUT CAUSER DES BLESSURES GRAVES, VOIRE MORTELLES:**

Pour éviter que l'enfant se blesse en glissant ou en tombant, toujours utiliser intégralement le harnais à 5 points.

L'enfant peut glisser dans les ouvertures pour les jambes et s'étrangler. NE JAMAIS utiliser en position inclinée si l'enfant n'est pas attaché avec le harnais à 5 points.

L'unité peut manquer de stabilité en cas de dépassement de la charge recommandée par le fabricant ou si un sac à bandoulière ou un accessoire autres que ceux recommandés par le fabricant sont utilisés ou suspendus à l'unité.

Pour éviter que l'enfant se coince les doigts et seblesse, tenez-le à l'écart lorsque vous pliez et dépliez ce produit.

Le landau ou la poussette deviendra instable si la charge recommandée par le fabricant est dépassée.

Conservez ces instructions pour référence ultérieure

Ce siège pour tout-petits convient aux enfants à partir de 3 mois (ou de la naissance en utilisant le coussin de rembourrage pour bébé facultatif) jusqu'à ce qu'ils pèsent 22,7 kg (50 lbs) ou mesurent 101 cm (40").

La charge maximale du panier de rangement est de 13,6 kg (30 lbs).

Cette poussette est conçue pour recevoir un seul enfant, à moins d'être équipée d'un accessoire approuvé par UPPAbaby.

Un « clic » sonore doit être entendu afin de déterminer que chaque fixation est positionnée correctement.

La barre pare-chocs doit toujours être fixée.

NE PAS soulever la poussette en la tenant par la barre pare-chocs, car elle peut se dégager.

Toujours vérifier que la poussette est entièrement dépliée et verrouillée avant de l'utiliser.

Serrer le frein avant d'installer l'enfant dans la poussette ou de l'en sortir, ou lorsque la poussette est immobilisée.

NE JAMAIS laisser un enfant dans la poussette en montant ou en descendant un escalier, y compris un escalier mécanique.

NE PAS altérer ou modifier la poussette avec des produits qui n'ont pas été fournis par le fabricant, car cela peut causer une instabilité ou des dommages structurels qui ne sont pas couverts par la garantie.

Système de harnais magnétique : Le système de retenue contient des aimants.

N'utilisez pas la poussette si votre enfant souffre d'un problème médical interdisant la proximité avec des aimants. Veuillez contacter UPPAbaby pour obtenir un autre système de harnais.



Utilisez le guidon complètement étiré uniquement lorsque le hamac est dos à la route.

Ce produit est certifié JPMA.

# **⚠️ WARNING**

**NEVER LEAVE CHILD UNATTENDED.**

**FAILURE TO FOLLOW THESE WARNINGS AND INSTRUCTIONS COULD RESULT IN SERIOUS INJURY OR DEATH:**

Keep these instructions for future reference.

To avoid serious injury from sliding or falling out, always use complete 5-point harness.

Child may slip into leg openings and strangle. NEVER use in a reclined position unless child is secured in 5-point harness system.

Unit may become unstable if manufacturer's recommended load is exceeded, or if parcel bag or accessory other than that recommended by the manufacturer is used or hung from the unit.

Children and adults should be clear of moving parts while making stroller adjustments. Damage to fingers or extremities may occur when opening or closing the frame.

In CN, for use from birth with CarryCot.

In TW, for use from birth with Infant Snug Seat.

For use from 6 months with the toddler seat.

This product is suitable up to a weight of 15 kg or a height of 101 cm whichever comes first.

Maximum weight for the storage basket is 30 lbs (13.6 kg).

This stroller is intended to be used with one child only, unless equipped with approved UPPAbaby accessory.

Audible "click" must be heard to confirm that each attachment is connected properly.

Bumper bar must be attached at all times.

DO NOT lift the stroller by the bumper bar as it may disengage.

Always make sure stroller is fully open and locked before use.

The brake must be locked while taking the child in or out of the stroller, and when parked.

NEVER leave child in the stroller while ascending or descending stairs, or using an escalator.

DO NOT make any alterations or modifications to the stroller with products not supplied by the manufacturer as this may cause instability or structural damage not covered under warranty.

DO NOT put any manufacturer un-recommended object on stroller which may cause danger.



**Magnetic Harness System:** The restraint system contains magnets. Do not use stroller if your child has a medical condition that prohibits close proximity to magnets. Please contact UPPAbaby to arrange an alternative harness system.

To avoid injuries from finger entrapment, keep child away from this product when unfolding and folding it.

The carriage or stroller will become unstable if the manufacturer's recommended load is exceeded.

Use only with VISTA stroller handlebar fully extended when the toddler seat is in the rear-facing position.

Do not let the child play with this product.

This product is only suitable for walking use.

To prevent accidents, ensure that the vehicle is kept away from automatic closing doors (e.g. on trains, lifts).

This product is designed and manufactured in accordance with China GB 14748-2006/ Taiwan CNS 12940 standards.

## 警告

**使用前请仔细阅读本说明书并且请妥善保存供以后参照，不按照警语及使用说明操作推车可能导致严重伤害至死亡！**

当儿童乘坐时，看护人不要离开！

儿童乘坐时必须使用安全带！

儿童可能滑入胯带腿部开口圈环而导致窒息！

儿童斜躺时必须使用5点式安全带！

在把手上放置任何负载会影响车辆稳定性！

儿童及其监护人必须充分留意在推车调节过程中存在有活动零件。收合或展开推车时活动零件可能对手指或四肢造成伤害。

使用推车前确保所有锁定装置都已处于锁定状态！

本儿童推车不适合于6个月以下的儿童使用。

本儿童推车适用于6个月至36个月，体重不超过15公斤（33磅），身高不超过101厘米（40英寸）的儿童。

除非配备UPPAbaby其它配件，本推车只能承载1名儿童。

必须在听到清晰的“咔嗒”声后才能确认各连接部件正确连接。

儿童乘坐时，请使用前扶手。

切勿通过保险杆扶手来提起儿童推车，因为它可能会松开。

将儿童放入或抱出推车时，或停推车时，请确保刹车锁合到位。

储物篮最大承重13.6公斤（30磅）。

上下楼梯或使用电梯时，请将儿童抱离推车。

使用非制造商提供的零配件对推车进行变更或维修可能影响推车定性或造成推车损害。制造商声明不对此类损害进行保修。

任意放置未经制造商许可的物品在车台上，将造成危险。

磁性安全带系统：安全带系统内含有磁铁。

如果您的孩子因患有疾病而不能近距离接触磁铁，请勿使用婴儿车。请联系 UPPAbaby 更换安全带系统。

为避免手指夹伤，请在展开和折叠本产品时让孩子保持一定距离。

如果超过制造商建议的承重，无论是卧式婴儿车还是坐式婴儿车都会变得不稳定。

仅在座椅朝后时，将 VISTA 婴儿车推把完全伸展开才可以使用。

请勿让孩子将本产品当作玩具。

本产品仅适合步行使用。

为防止发生事故，请确保婴儿车远离会自动关闭的门（例如火车门、电梯门）。

本产品按照以下标准设计和制造：GB 14748-2006 儿童推车安全要求

中国 CCC 认证

## 警告

絕對不可讓孩子獨處無人照看。

不遵守本產品之警告事項和說明可能會導致重傷或死亡：

為了避免滑落或者跌落造成重傷，請務必使用全套附帶胯帶的 5 點式固定帶。

孩童可能會滑入腿部開孔處和造成窒息。除非使用 5 點式固定帶系統將孩童固定，絕對不可以傾斜狀態使用本產品。

如果超過製造商建議的負載、或者搭配非製造商建議之包裝袋、配件或支架使用或吊掛，本產品可能出現不穩定的現象。

進行嬰兒車的調整時，孩童和成人都應遠離可動部件。展開或收摺支架時會有夾傷手指或四肢的風險。

請妥善保存說明書以利日後查閱。

在中國，可從出生開始搭配睡箱使用。

在台灣，新生兒需搭配新生兒座墊即可使用。

座椅適用於 6 個月以上的嬰幼兒。

本產品適用於 15 公斤 (33 磅) 或身高 101 公分 (40 吋) 以下的幼兒，以先符合者為準。

防撞桿請隨時裝妥。

請勿從防撞桿處抬起本嬰兒車，以防止鬆脫。

使用前請務必確認嬰兒車已完全展開並且確實鎖定。

孩童在進出本產品和停放本嬰兒車時請務必鎖上煞車。

上下樓梯或搭乘手扶梯時請勿將孩童放置嬰兒車內。

請勿使用非製造商供應之產品對本嬰兒車進行修改或改裝，否則會導致不在保固範圍內的功能故障或結構性損害。

任意放置未經製造商核可之物品於車台上，將造成危險。

磁性安全帶系統：防制系統包含磁鐵。

如果您的孩子有禁止靠近磁鐵的醫療疾病，請勿使用嬰兒推車。請聯絡 UPPAbaby 以安排安全帶系統更換。

為了避免手指夾傷的危險，展開或摺疊此產品時，請讓兒童遠離。

如果超過製造商建議的負載，嬰兒車或嬰兒推車將變得不穩定。

僅在將幼兒座椅調整為朝後位置時，才能將 VISTA 嬰兒推車把手完全伸展以進行使用。

請勿讓孩童將本產品當作玩具把玩。

此產品僅適用於步行使用。

為防止意外，請確保將嬰兒車遠離會自動關閉的門 (例如：火車門、電梯門)。

本產品是依據台灣BSMI標準CNS 12940設計和製造

## CLEANING

Clean frame with a damp cloth and a mild detergent; dry thoroughly. DO NOT use abrasives.

If the frame parts have been exposed to salt water we recommend that they be rinsed with fresh (tap) water as soon as possible to avoid corrosion. Always dry frame if wet.

All fabrics are removable.

To extend the life of your product's fabric, keep it clean and do not leave it in direct sunlight for long periods of time.

DO NOT fold or store the product if it is damp or wet, nor store in a damp environment.

### SEAT AND SEASONAL SEAT LINER

Secure all hook and loop fasteners before laundering.

Machine wash cold gentle cycle with mild detergent. DO NOT bleach.

Dry flat and away from direct sunlight before re-use or storage.

DO NOT iron or dry clean.

### BASKET FABRIC

Spot clean or hand wash in cold water with mild detergent. DO NOT bleach.

Dry flat and away from direct sunlight before re-use or storage.

DO NOT iron or dry clean.

### CANOPY FABRIC AND LEATHER BUMPER BAR COVER

Spot clean with a damp cloth.

DO NOT wet excessively.

DO NOT iron or dry clean.

## MAINTENANCE AND REPAIR

This product requires user inspection and maintenance regularly. Check all connecting hardware (rivets, screws, etc.) for tightness and security. Inspect all brakes, tires, seat harnesses and locks for correct operation. Seek prompt repairs or replacements as needed and never continue using the product if it is structurally not safe.

Only UPPAbaby replacement parts should be used. It may be unsafe to use parts supplied by another manufacturer.

Contact Customer Experience with any repair questions.

## WARRANTY

### EXTENDED WARRANTY

UPPAbaby offers a three-year warranty on all strollers, bouncers, high chairs, playards and select accessories (Bassinet, RumbleSeat, Changing Station and PiggyBack).

To receive this extended warranty, customers must register their product within three months of purchase and provide a valid receipt from an authorized retailer. It's our way of saying thank you!

Register your product at [uppababy.com/register](http://uppababy.com/register)

### LIMITED WARRANTY

Your UPPAbaby product is warranted to be free from manufacturing defects for a period of 2 years from the date of purchase under normal use and in compliance with the operating instructions.

This warranty is not transferable and extends only to the original retail purchaser and is only valid when supplied with proof of purchase from an authorized retailer. Proof of purchase must be retained for this warranty.

The warranty is valid only in the original country of purchase. This warranty is subject to the conditions set forth by country in which the items were purchased. Conditions may vary. UPPAbaby will not ship replacement or repair parts outside the country of purchase.

UPPAbaby will provide replacement parts or conduct repairs as determined fitting by the company. UPPAbaby reserves the right to exchange item with a replacement part. Some parts may be replaced with newer model parts as the item is improved over time.

This warranty does not cover:

- Defects caused by misuse or poor maintenance. (Please refer to the product instruction booklet for guidance on item use and maintenance).
- Damage caused by improper installation of UPPAbaby parts and/or accessories. (Please refer to product instruction booklet for guidance on item assembly and use).
- Damage caused by corrosion mold or rust due to poor maintenance, service or storage.
- Damage resulting from normal wear and tear.
- Damage or degradation caused by the sun, sweat, detergents, damp storage conditions or frequent washings.
- Repairs or modifications carried out by a third party.
- Product purchased from an unauthorized retailer. (Approved retailers are listed on our website [uppababy.com](http://uppababy.com)).
- Second owners and users other than the registrant.
- Damage resulting from airline shipping and handling.
- Products Involved in an accident.

UPPAbaby reserves the right to determine if warranty terms and conditions have been met.

For warranty service: In the US\* and CA please contact UPPAbaby customer experience (844) 823-3132 and visit [uppababy.com/support](http://uppababy.com/support) to send an email.

\*Within the US, warranty conditions may differ from state to state.

Outside of the US and CA please contact your local distributor. Distributor information can be found at [uppababy.com/global-distributors](http://uppababy.com/global-distributors).



## LIMPIEZA

Limpie el chasis con un trapo húmedo y un detergente suave; séquelo bien. NO use abrasivos.

Si las piezas del chasis han estado expuestas al agua salada, recomendamos que se aclaren con agua dulce tan pronto como sea posible para evitar la corrosión. Seque siempre el chasis si se moja.

Todas las telas son desmontables.

Para ampliar la vida de la tela de su producto, manténgala limpia y no la deje en el sol directo durante largos periodos de tiempo.

NO pliegue ni guarde el producto si está húmedo o mojado, ni lo almacene en un entorno con humedad.

### ASIENTO Y CUBIERTA DEL ASIENTO DE TEMPORADA

Asegurar todos los cierres de velcro antes de lavar. Lavar a máquina en ciclo suave con agua fría y detergente suave. NO usar lejía.

Secar sobre una superficie plana alejada del contacto directo con el sol antes de volver a usarlo o almacenarlo.

NO planchar ni lavar en seco.

### TELA DE LA CESTA

Limpiar las manchas o lavar a mano con agua fría y un detergente suave. NO usar lejía.

Secar sobre una superficie plana alejada del contacto directo con el sol antes de volver a usarlo o almacenarlo.

NO planchar ni lavar en seco.

### FUNDA DE CUERO PARA LA BARRA DE SEGURIDAD Y TELA PARA LA CAPOTA

Limpiar con un paño húmedo.

NO mojar en exceso.

NO planchar ni lavar en seco.

## **MANTENIMIENTO Y REPARACIÓN**

Este producto necesita inspección y mantenimiento regular por parte del usuario. Compruebe todas las piezas de conexión (remaches, tornillos, etc.) para comprobar que estén apretadas y seguras. Revise que todos los frenos, neumáticos, cierres y arneses de la hamaca funcionan correctamente. Realice las reparaciones o sustituciones necesarias y no continúe usando el producto si la estructura no es segura.

Solo deben emplearse piezas de repuesto UPPAbaby. Usar piezas suministradas por otros fabricantes puede no resultar seguro.

Póngase en contacto con el Servicio al Cliente si tiene preguntas sobre reparaciones.å



## **GARANTÍA**

### **GARANTÍA EXTENDIDA**

UPPAbaby ofrece una garantía extendida de tres años en todos los cochecitos, hamacas, tronas, cunas de viaje y accesorios seleccionados (capazo, hamaca RumbleSeat, cambiador y patinete PiggyBack).

Para obtener esta garantía extendida, los clientes deben registrar su producto dentro de los tres meses posteriores a la compra y proporcionar un recibo válido de un minorista autorizado. ¡Es nuestra manera de decir gracias!

Registra tu producto en [uppababy.com/register](http://uppababy.com/register)

### **GARANTÍA LIMITADA**

Su producto UPPAbaby está garantizado como libre de defectos de fabricación durante un periodo de 2 años a partir de la fecha de compra en condiciones de uso normales y en cumplimiento con las instrucciones de uso.

Esta garantía es intransferible y cubre solo al comprador minorista original y solo es válida cuando se proporciona con un comprobante de compra de un minorista autorizado. Se debe conservar el justificante de compra para esta garantía.

La garantía solo es válida en el país de compra original. Esta garantía está sujeta a las condiciones establecidas por el país en el que se compraron los artículos. Las condiciones pueden variar. UPPAbaby no enviará piezas de repuesto o de reparación fuera del país de compra.

UPPAbaby proporcionará piezas de recambio o realizará reparaciones como la empresa estime oportuno.

UPPAbaby se reserva el derecho a intercambiar el artículo con una pieza de repuesto. Algunas piezas podrán reemplazarse con piezas de modelos más recientes para que el artículo mejore con el tiempo.

La presente garantía no cubre:

- Defectos provocados por un uso indebido o un mal mantenimiento. (Consulte el folleto de instrucciones del producto para mayor orientación sobre el uso y mantenimiento);
- El daño causado por una instalación incorrecta de piezas y/o accesorios UPPAbaby. (Consulte el folleto de instrucciones del producto para mayor orientación sobre el montaje y uso del artículo);
- El daño causado por corrosión, moho u oxidación provocada por un mal mantenimiento, servicio o almacenamiento;
- El daño resultado del desgaste habitual;
- El daño o deterioro causado por el sol, sudor, detergentes, condiciones de almacenamiento húmedo o lavados frecuentes;
- Las reparaciones o modificaciones realizadas por un tercero;
- Si el producto se compró a un minorista no autorizado. (Los minoristas aprobados se muestran en nuestro sitio web [uppababy.com](http://uppababy.com));
- Propietarios y usuarios distintos del solicitante;
- El daño resultado del envío aéreo y el manejo;
- Los productos que sufran un accidente.

UPPAbaby se reserva el derecho a determinar si se han cumplido los términos y condiciones de la garantía.

Para el servicio de garantía: En EE. UU.\* y Canadá, ponte en contacto con el servicio de atención al cliente de UPPAbaby en el número (844) 823-3132 y visita [uppababy.com/support](http://uppababy.com/support) para enviar un mensaje de correo electrónico.

\*En EE. UU., las condiciones de la garantía pueden variar de un estado a otro.





## NETTOYAGE

Nettoyer le châssis à l'aide d'un chiffon humide et d'un détergent doux; sécher complètement. NE PAS utiliser de produits abrasifs.

Si les pièces du châssis ont été exposées à de l'eau salée, nous recommandons de les rincer à l'eau fraîche du robinet dès que possible pour éviter toute corrosion. Toujours sécher le châssis s'il est mouillé.

Tous les tissus sont amovibles.

Pour prolonger la durée de vie du tissu de votre produit, gardez-le propre et ne le laissez pas en plein soleil pendant de longues périodes.

NE PAS plier ni entreposer le produit s'il est humide ou mouillé, ni l'entreposer dans un environnement humide.

### DOUBLURE DE SIÈGE ET DE SIÈGE SAISONNIÈRE

Sécuriser toutes les fermetures autoagrippantes avant de laver. Laver à la machine à l'eau froide à cycle délicat avec un détergent doux. NE PAS javelliser.

Laisser sécher à plat et à l'abri de la lumière directe du soleil avant réutilisation ou rangement.

NE PAS repasser ou nettoyer à sec.

### TISSU DU PANIER

Nettoyer les taches ou laver à la main à l'eau froide avec un détergent doux. NE PAS javelliser.

Laisser sécher à plat et à l'abri de la lumière directe du soleil avant réutilisation ou rangement.

NE PAS repasser ou nettoyer à sec.

### TISSU DE CAPOTE ET HOUSSE DE BARRE DE PARE-CHOCS EN CUIR



Nettoyer les taches avec un chiffon humide.

NE PAS mouiller excessivement.

NE PAS repasser ou nettoyer à sec.



## ENTRETIEN ET RÉPARATION

Ce produit nécessite une inspection et un entretien réguliers de la part de l'utilisateur. Vérifier que tout le matériel de raccord (rivets, vis, etc.) est bien serré et sécurisé. Inspecter tous les freins, pneus, harnais et mécanismes de verrouillage du siège pour vérifier leur bon fonctionnement. S'efforcer de réparer le produit ou de trouver des pièces de rechange rapidement si le besoin se présente, et ne jamais continuer à utiliser le produit s'il n'est pas sécuritaire sur le plan structurel.

Utiliser uniquement des pièces de rechange UPPAbaby. Il peut être dangereux d'utiliser des pièces fournies par un autre fabricant.

Communiquer avec le service à la clientèle pour toute question relative aux réparations.

## **GARANTIE**

### **GARANTIE PROLONGÉE**

UPPAbaby offre une garantie de trois ans sur les poussettes, les sauteuses, les chaises hautes d'enfant, les parcs et certains accessoires s (Nacelle, RumbleSeat, Station à langer et PiggyBack).

Pour bénéficier de la garantie prolongée, les clients doivent enregistrer leur produit dans les trois mois suivant l'achat et fournir un reçu valide d'un détaillant autorisé. C'est notre façon de dire merci!

Enregistrez votre produit sur [uppababy.com/register](http://uppababy.com/register)

### **GARANTIE LIMITÉE**

Votre produit UPPAbaby est garanti sans défaut de fabrication pendant une période de 2 ans à compter de la date de l'achat, dans le cadre d'une utilisation normale et conforme aux directives d'utilisation.

Cette garantie n'est pas transférable, s'applique seulement à l'acheteur au détail d'origine et n'est valide que sur la présentation d'une preuve d'achat d'un détaillant autorisé. Veuillez conserver la preuve d'achat pour cette garantie.

La garantie n'est valide que dans le pays d'origine de l'achat. Cette garantie est assujettie aux conditions énoncées par le pays dans lequel les articles ont été achetés. Les conditions peuvent varier. UPPAbaby n'expédiera pas de pièces de rechange hors du pays de l'achat.

UPPAbaby fournira des pièces de rechange ou effectuera des réparations, selon ce que l'entreprise jugera opportun. UPPAbaby se réserve le droit d'échanger l'article par une pièce de rechange. Certaines pièces peuvent être remplacées par des pièces d'un nouveau modèle, étant donné que l'article est perfectionné au fil du temps.

Cette garantie ne couvre pas :

- Les défauts causés par un mauvais usage ou entretien. (Veuillez consulter le livret d'instructions du produit pour obtenir les renseignements concernant l'utilisation et l'entretien de l'article).
- Les dommages causés à la suite d'une installation inadéquate des pièces ou des accessoires UPPAbaby. (Veuillez consulter le livret d'instructions pour obtenir les renseignements concernant l'assemblage et l'utilisation de l'article).
- Les dommages dus à la corrosion, à la moisissure ou à la rouille causés par un entretien, une maintenance ou un entreposage inapproprié.
- Les dommages résultant d'une usure normale.
- Les dommages ou les dégradations causés par le soleil, la transpiration, les détergents, l'entreposage dans un lieu humide ou des lavages fréquents.
- Les réparations ou les modifications effectuées par un tiers.
- Les articles achetés chez un détaillant non autorisé. (Les détaillants approuvés sont énumérés sur notre site Web [uppababy.com](http://uppababy.com)).
- Les seconds propriétaires et utilisateurs autres que le déclarant.
- Les dommages résultant d'un transport aérien.
- Les produits impliqués dans un accident.

UPPAbaby se réserve le droit de déterminer si les modalités de la garantie ont été respectées.

Pour le service de garantie : Aux États-Unis\* et au Canada, veuillez communiquer avec le service de l'expérience client d'UPPAbaby au 1 844 823-3132 et consulter le site [uppababy.com/support](http://uppababy.com/support) pour envoyer un courriel.

\*Aux États-Unis, les conditions de la garantie peuvent différer d'un État à l'autre.

## 清洗

使用湿布和温和清洁剂清洗(底盘)(车架);彻底干燥。严禁使用磨蚀材料。

如果(底盘)(车架)部件接触了盐水,我们建议您尽快使用自来水冲洗以避免腐蚀。如果车架弄湿,请务必擦干。

所有面料都可拆卸。

为延长产品面料的使用寿命,请保持表面干净整洁,避免长时间的阳光直射。

产品如果潮湿或受潮,请不要折叠或收纳,也不要收纳在潮湿的环境中。

### 座椅和季节性座垫

洗涤前请固定好所有魔术贴。使用温和的洗涤剂在冷水中轻柔机洗。请勿漂洗。

在重新使用或存放之前,请平铺晾干并避免阳光直射。

请勿熨烫或干洗。

### 置物篮面料

使用温和的洗涤剂在冷水中局部清洁或手洗。请勿漂洗。

在重新使用或存放之前,请平铺晾干并避免阳光直射。

请勿熨烫或干洗。

### 顶篷面料和皮质前扶手护罩

使用湿布局部清洁。

切勿过度浸湿。

请勿熨烫或干洗。

## 保养和修理

本产品需要用户定期检查和保养。检查所有连接硬件(铆钉、螺丝等),看是否紧固和安全。检查所有刹车、

轮胎、座椅背带和锁定机构,看是否正确运行。根据需要及时维修或更换,如果发现产品结构上不安全,请勿继续使用。

只能使用 UPPAbaby 的替换部件。使用其他制造商提供的部件可能不安全。

如有任何维修方面的问题请联系客服。

# 保修

## 延保

UPPAbaby为所有婴儿车、宝宝摇椅、高脚餐椅、旅行婴儿床和部分可选配件(包括睡篮、拓展座椅、尿布台和推车滑板)提供3年的延长保修。

如需获得延长保修,客户必须在购买后3个月内注册其产品并提供从授权零售商购买的有效凭证。谨以这种方式向您致以最诚挚的感谢!

如需注册产品,请登录 [uppababy.com/register](http://uppababy.com/register)

## 有限保修

自 UPPAbaby 产品购买之日起的 2 年内,在正常使用和遵循操作说明的情况下,出现的制造缺陷均在保修范围内。

此保修不可转让,仅适用于原始零售购买者,并且仅在提供授权零售商出具的购买凭证的情况下有效。必须保留购买凭证才能享受此保修服务。

保修仅在原始购买国家/地区有效。此保修受产品购买地所在的国家/地区所规定的条件的约束。条件可能会发生变化。UPPAbaby 不会将替换件或维修件运送至购买地国家/地区之外。

UPPAbaby 将在公司认为合适的情况下提供替换件或进行维修。UPPAbaby 保留将产品部件与替换件互换的权利。由于产品在不断改进,因此某些部件可能会替换为更新型号的部件。

此保修不包括:

- 滥用或维护不善造成的缺陷。(请参考产品说明书以了解有关产品使用和维护的指导信息)。
- 因 UPPAbaby 部件和/或配件安装不当导致的损坏。(请参考产品说明书以了解有关产品装配和使用的指导信息)。
- 因维护、维修或存放不当造成的腐蚀、发霉或生锈所导致的损坏。
- 正常磨损造成的损坏。
- 阳光、汗渍、清洁剂、潮湿存放条件或频繁清洗造成的损坏或退化。
- 由第三方执行的维修或改装。
- 从未经授权的零售商处购买的产品。(我们的网站 [uppababy.com](http://uppababy.com) 上列出了授权零售商)。
- 除注册人之外的第二个所有者和用户。
- 航空公司运输和处理造成的损坏。
- 涉及事故的产品。

UPPAbaby 保留决定是否符合保修条款和条件的权利。

在美国和加拿大以外,请联系您当地的经销商。有关经销商信息,请访问 [uppababy.com/global-distributors](http://uppababy.com/global-distributors)。

## 清潔

使用濕布和中性清潔劑清潔支架，並徹底擦乾。請不要使用研磨劑。

如果支架零件曾經暴露在鹽水下，本公司建議立即以清水沖洗以避免腐蝕。支架被弄濕時請立即擦乾。

所有的布製品皆可拆卸。

為了延長本產品布製品的壽命，請常保清潔並且不要被太陽直射過長的時間。

本產品潮濕或弄濕時請不要將之收摺或儲存，也不要儲存在潮濕的環境下。

### 座椅和冬夏兩用座椅內墊

清洗前，請先固定所有鉤環緊固件。若使用洗衣機清洗，請使用冷水和中性清潔劑，並使用柔洗洗程。請勿漂白。

再次使用或儲存前請風乾並且避免陽光直曬。

請不要熨燙或乾洗。

### 置物籃布料

髒污需使用中性清潔劑及冷水手洗。請勿漂白。

再次使用或儲存前請風乾並且避免陽光直曬。

請不要熨燙或乾洗。

### 頂篷布料和防撞桿真皮外罩

使用濕布以局部方式清潔。

請不要弄得太過潮濕。

請不要熨燙或乾洗。

## 維護和維修

使用者務必定期要檢查和維護本產品。檢查所有的連接件（鉚釘、螺絲等）是否有旋緊和牢固。檢查所有的煞車、輪胎、座椅束帶或鎖扣的運作是否正常。如果本產品的結構不安全時，請視需要即進行維修或更換，並且暫時停止使用本產品。

僅可使用 UPPAbaby 原廠替換零件。使用非原廠的零件可能會有不安全之虞。

如有任何維修方面的問題請聯絡客戶服務部門。

## 保固 延長

UPPAbaby 為所有嬰兒車、兒童餐椅、折疊床及指定配件 (睡箱、摺疊座椅、尿布台和推車輔助踏板) 提供三年延長保固。

如要享有額外延長保固, 客戶必須在購買產品之日起的三個月內註冊, 並提供授權零售商開立的有效收據。我們希望能藉此表達謝意!

請前往 [uppababy.com/register](http://uppababy.com/register) 註冊您的產品

## 有條件保固

自您的 UPPAbaby 產品購買之日起 2 年內, 在正常使用和依照使用說明書的情況下, 所有製造瑕疵均在保固範圍內。

本保固不可轉讓, 僅適用於原始購買人, 並且必須要出示由授權零售商開立的購買憑證方為有效。

在保固期間內請務必妥善保存購買證明。

本保固僅在原始購買地所在國家/地區內有效。本項保固依照購買地之國家/地區之條件為準。

各國家/地區的條件會有所差異。UPPAbaby 不會將替換件或維修件運送至購買地國家/地區之外。

UPPAbaby 會在本公司認為合適的情況下提供替換零件或進行維修。UPPAbaby 保留以替換零件更換保固項目的權利。由於產品在持續改進, 因此某些零件可能會以較新型號的零件更換。

本保固不涵蓋:

- 因為錯誤使用或疏於維護所致的故障。(請參閱產品使用說明書了解產品的使用和維護方法)。
- 因為 UPPAbaby 零件和/或配件安裝不當所致的損壞。(請參閱產品使用說明書了解產品的組裝和使用說明)。
- 因為缺少維護或保養造成腐蝕、發黴或生鏽所致的損壞。
- 因為正常使用耗損所致的損壞。
- 因為日曬、汗漬、清潔劑、存放於潮濕之處或過於頻繁清洗所致的損壞或退化。
- 由第三方廠商進行維修或改裝。
- 向未經授權零售商購買的產品。(授權零售商清單請參見本公司網站 [uppababy.com](http://uppababy.com))。
- 使用者為二手擁有者, 或並非註冊人。
- 因為航空運輸及處理所致的損壞。
- 涉及意外的產品。

UPPAbaby 保留判定是否符合保固條款和條件的權利。

美國及加拿大境外使用者請聯絡您當地的分銷商。分銷商資訊請參見 [uppababy.com/global-distributors](http://uppababy.com/global-distributors)。



USA | UPPAbaby, 276 Weymouth Street, Rockland, MA 02370  
CA | UPPAbaby Canada, 201 Wicksteed Avenue, Suite 2, Toronto, Ontario M4G 0B1  
uppababy.com | 1.844.823.3132

Models: 0303-VSO-NA | 0303-VSO-CN

All rights reserved. © 2024 UPPAbaby. UPPAbaby and all associated logos are trademarks. All product specifications are correct at time of print. UPPAbaby reserves the right to change anything at any time without prior notice. Color representation is as close as print processes allow. Not all colors available at all retailers. UbMANI96-V06